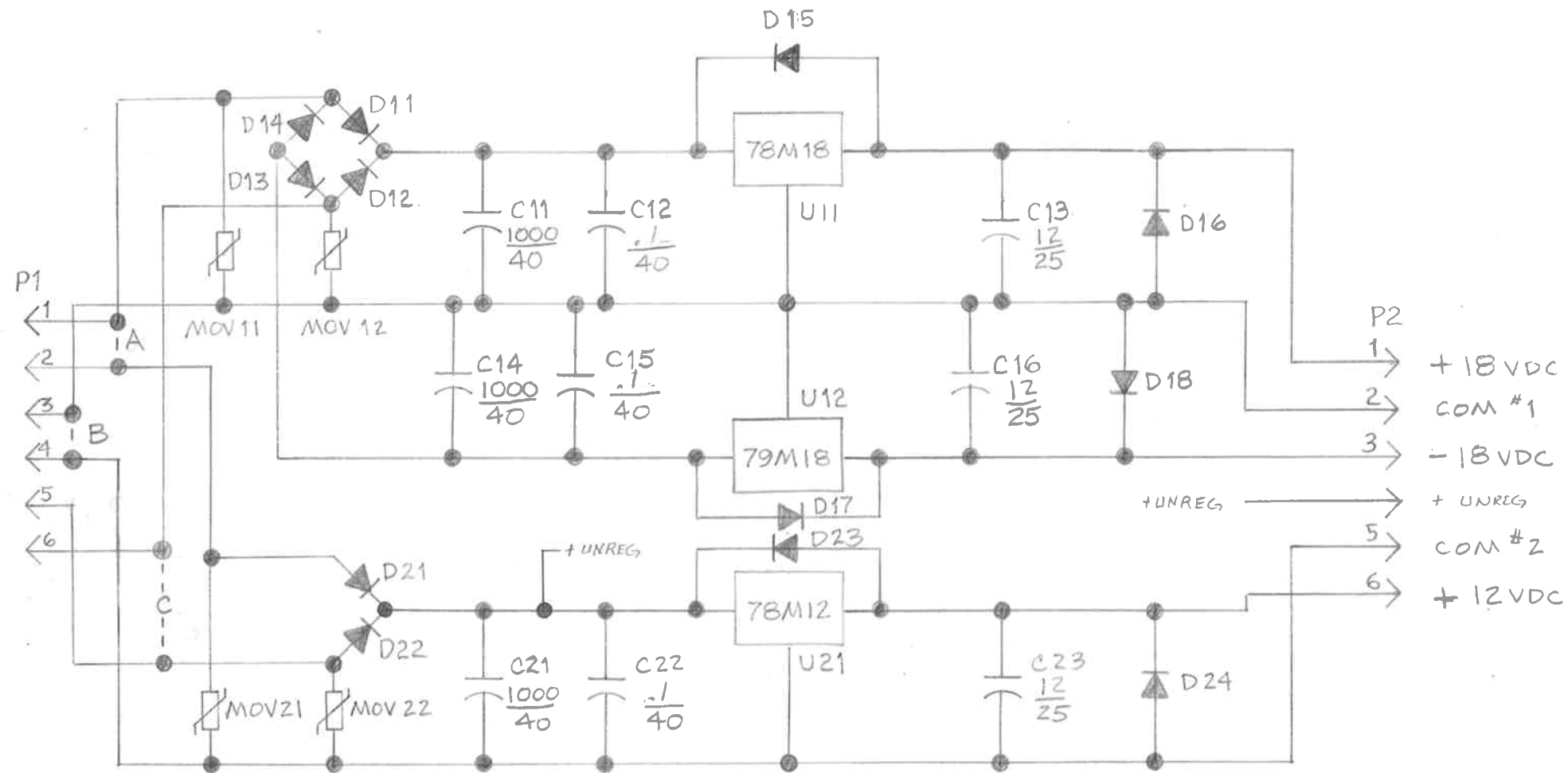


NOTE:

SUPPLY CAN BE LOADED FOR DIFFERENT VOLTAGES AS LISTED BELOW

PRODUCT	VOLTAGES	U11	U12	U21	COMMENTS
LOG121	±12, +5	7812	7912	7805	
TVA 131	±18	7818	7918	—	DELETE ALL 20 SERIES COMPS
TVA 142	±18, +12	7818	7918	7812	



A, B, & C ARE JUMPERS FORMED BY CONNECTING OPPOSITE SIDES OF A DOUBLE-SIDED P.C. BOARD, UTILIZING PADS ON COMMON CENTERS.

B STRAPPED = COMMON TRANSFORMER GROUND.

A, B, C STRAPPED = TRANSFORMER SECONDARY COMMON TO BOTH SUPPLIES. WITH A, B, C STRAPPED, MOV21 & MOV22 ARE OMITTED.

1 MAR 78

1241 PS POWER SUPPLY SCHEMATIC

GF

B-057