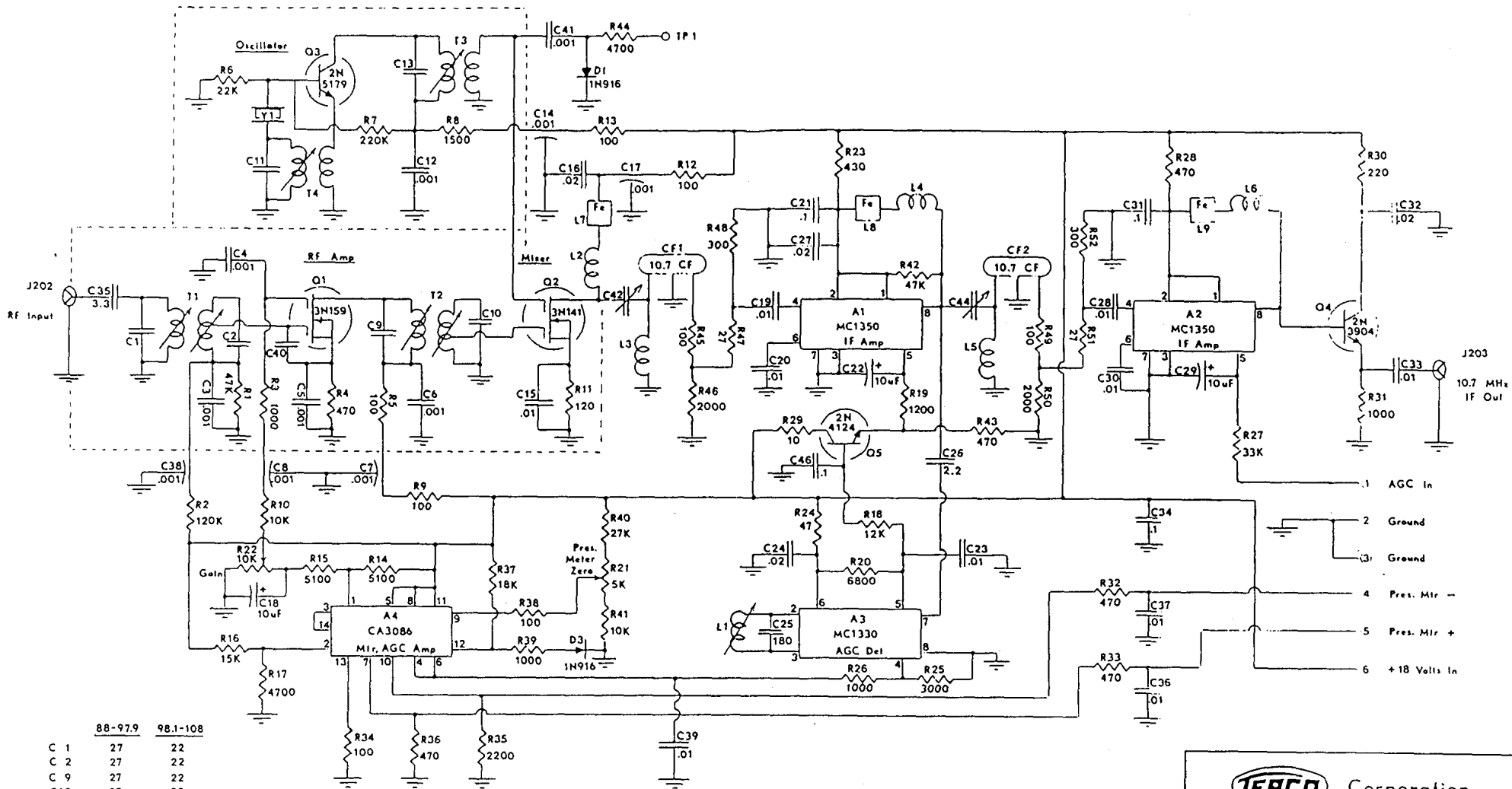


R32, R33 chngd 6-8-85
R27 10K to 33K 4-13-87

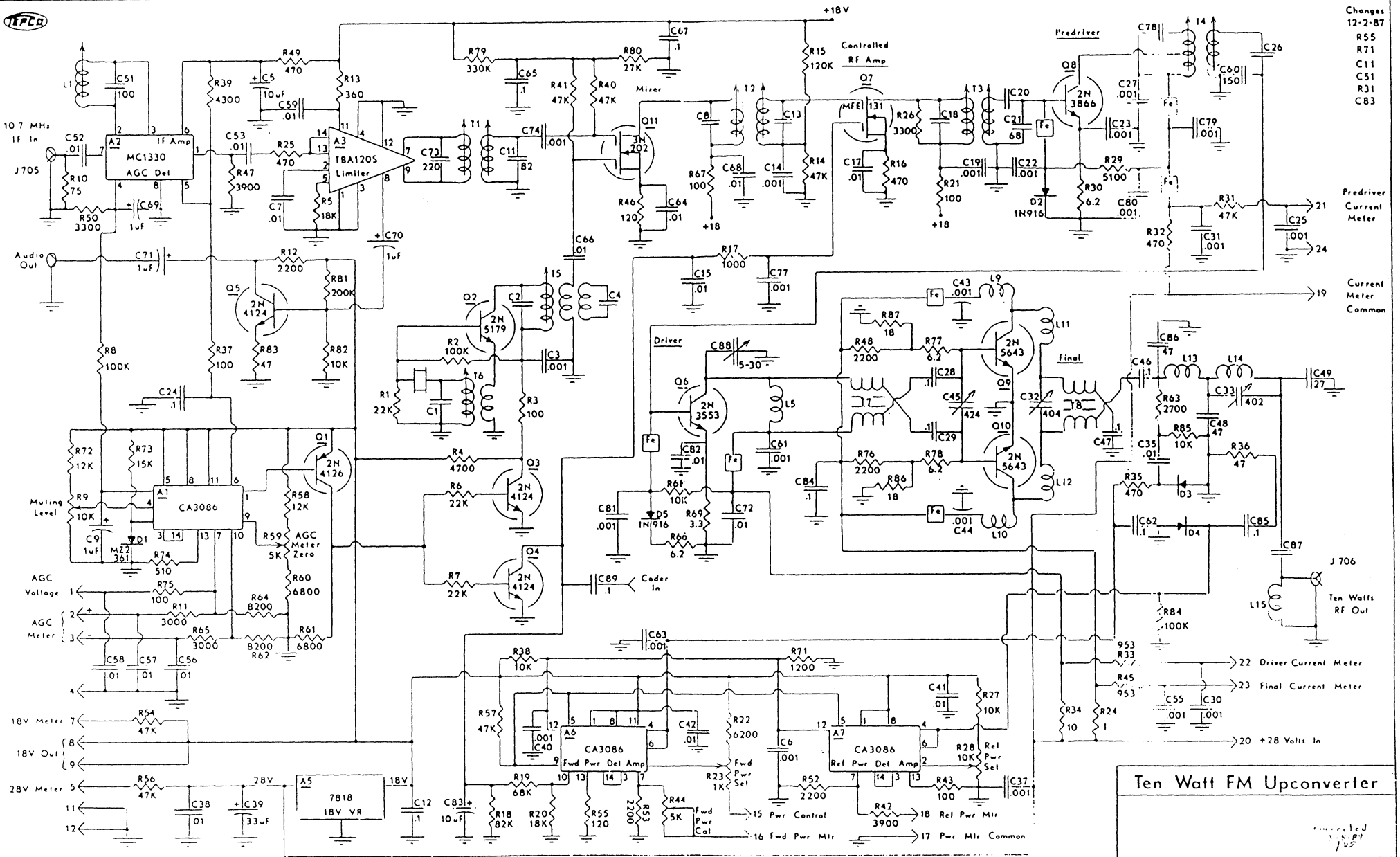


TEPCO Corporation
Rapid City, So. Dak.

FM Downconverter

Des No FMT-20

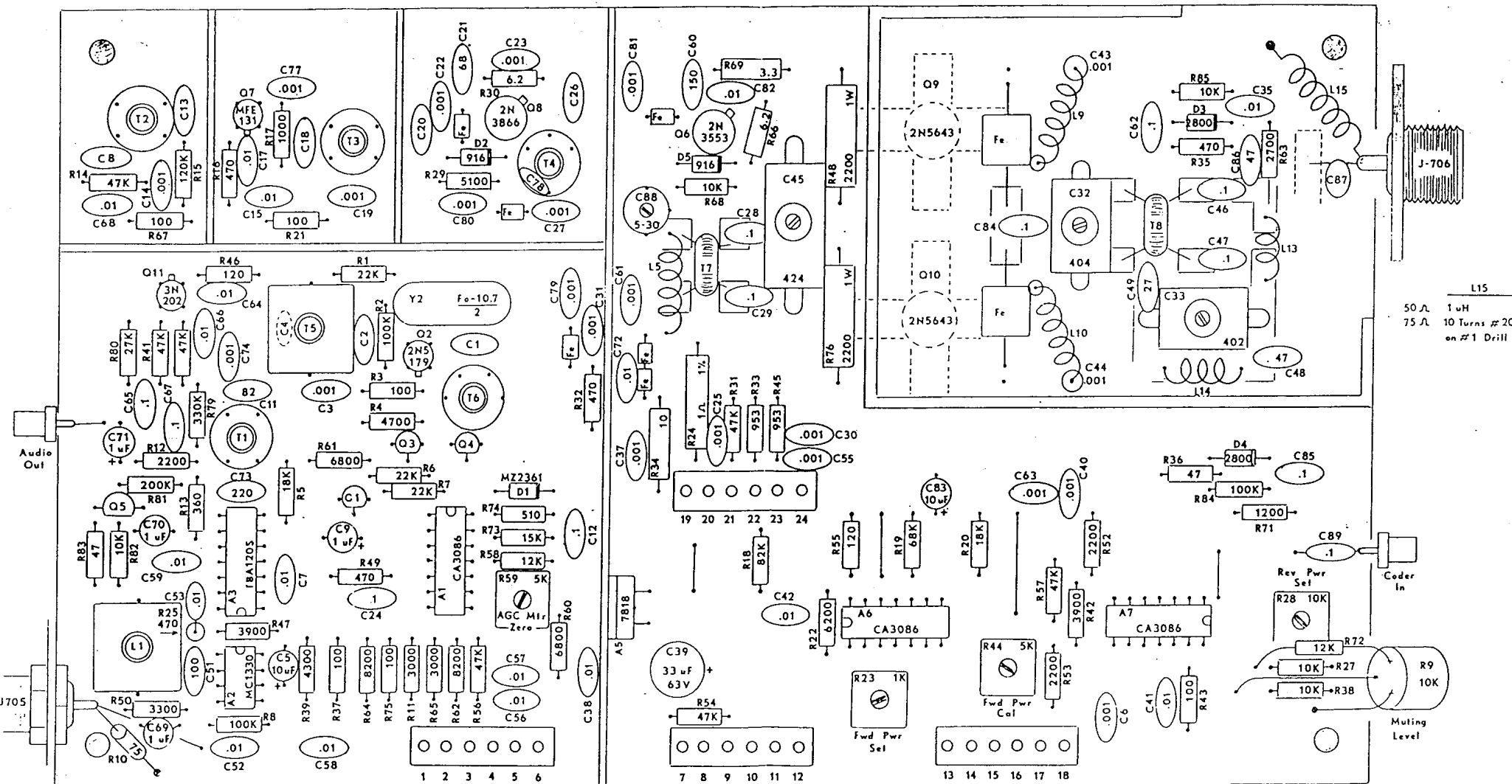
Dated 1-14-85



- Changes 12-2-87
- R55
- R71
- C11
- C51
- R31
- C83

- Pre-driver Current Meter
- Current Meter Common

Ten Watt FM Upconverter
 FMT-23
 1-12-88



L15
 50 μ 1 uH
 75 μ 10 Turns #20
 on #1 Drill

88.1-94.7 94.9-100.7 100.9-107.9

O 1	2N4126	C 1	100	91	75
O 2	2N5179	C 2	33	33	24
O 3	2N4124	C 4	47	47	36
O 4	2N4124	C 8	27	27	22
O 5	2N4124	C 13	18	12	12
O 6	2N3553	C 18	24	20	12
O 7	MFE131	C 20	15	12	12
O 8	2N3866	C 26	22	20	15
O 9	2N5643	C 78	27	22	18
O 10	2N5643	C 87	43	47	51
O 11	3N202				75 Ω only



TEPCO Corporation

2413 S. Highway 79
 Box 680

Phone (605) 343-7200
 Rapid City, South Dakota 57709

Ten Watt Upconverter

FMT-23L 1-12-88