

FORWARD
POWER
ADJUST

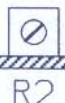
(rf meter)
(conn)

REVERSE
POWER
ADJUST

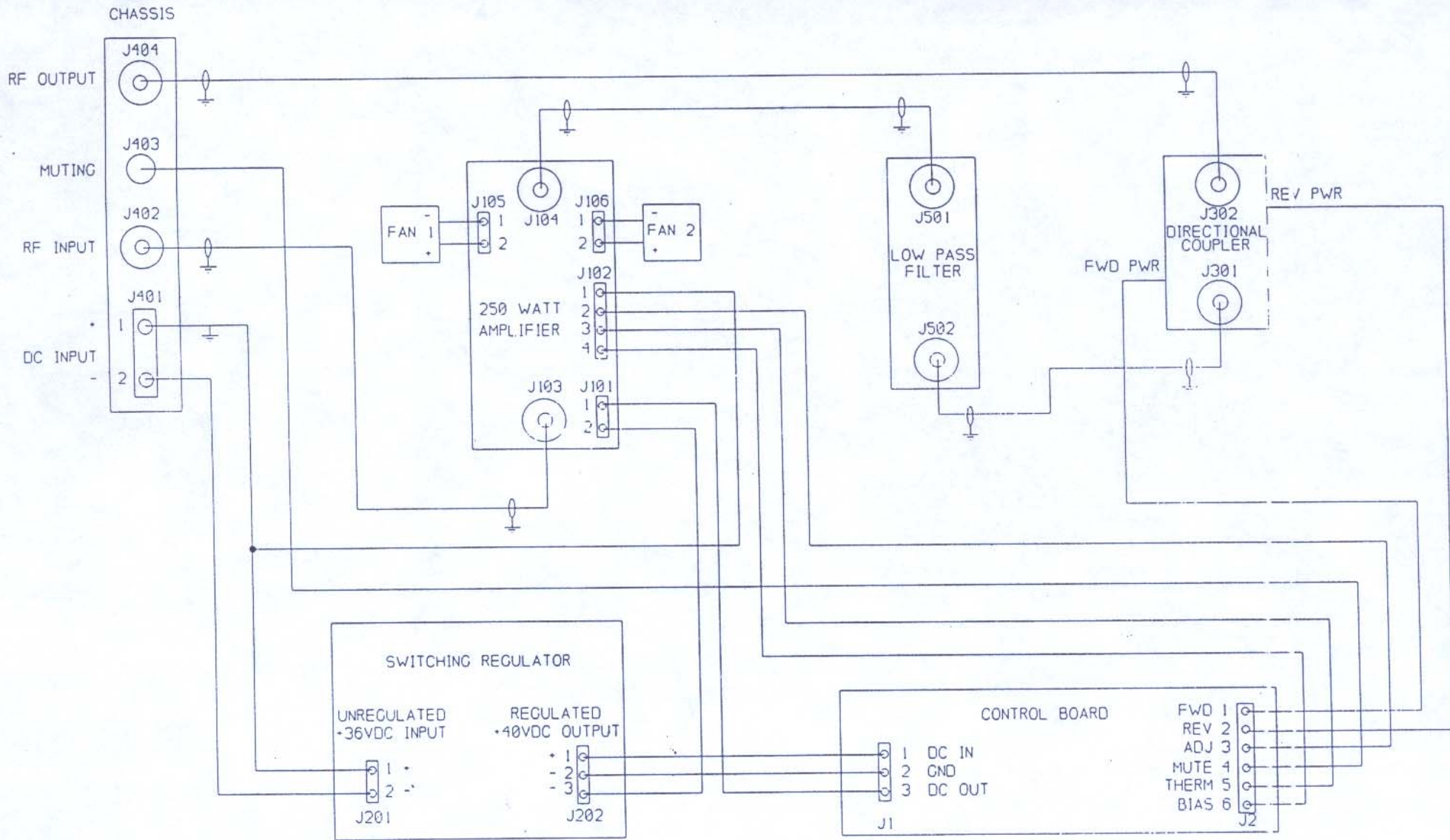
TEMPERATURE
CONTROL
ADJUST

REFLECTED
POWER
ADJUST

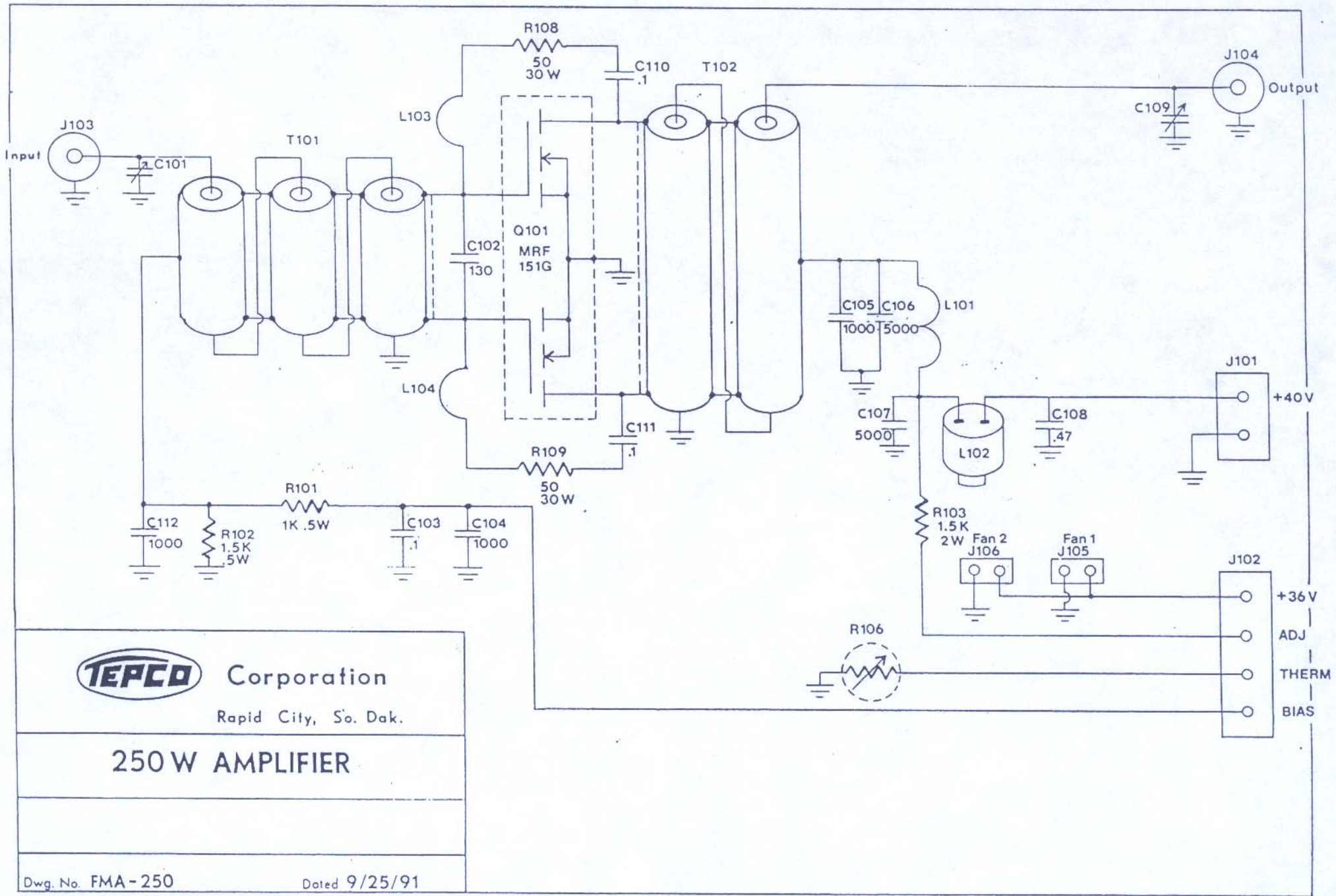
(volt meter)
(conn)

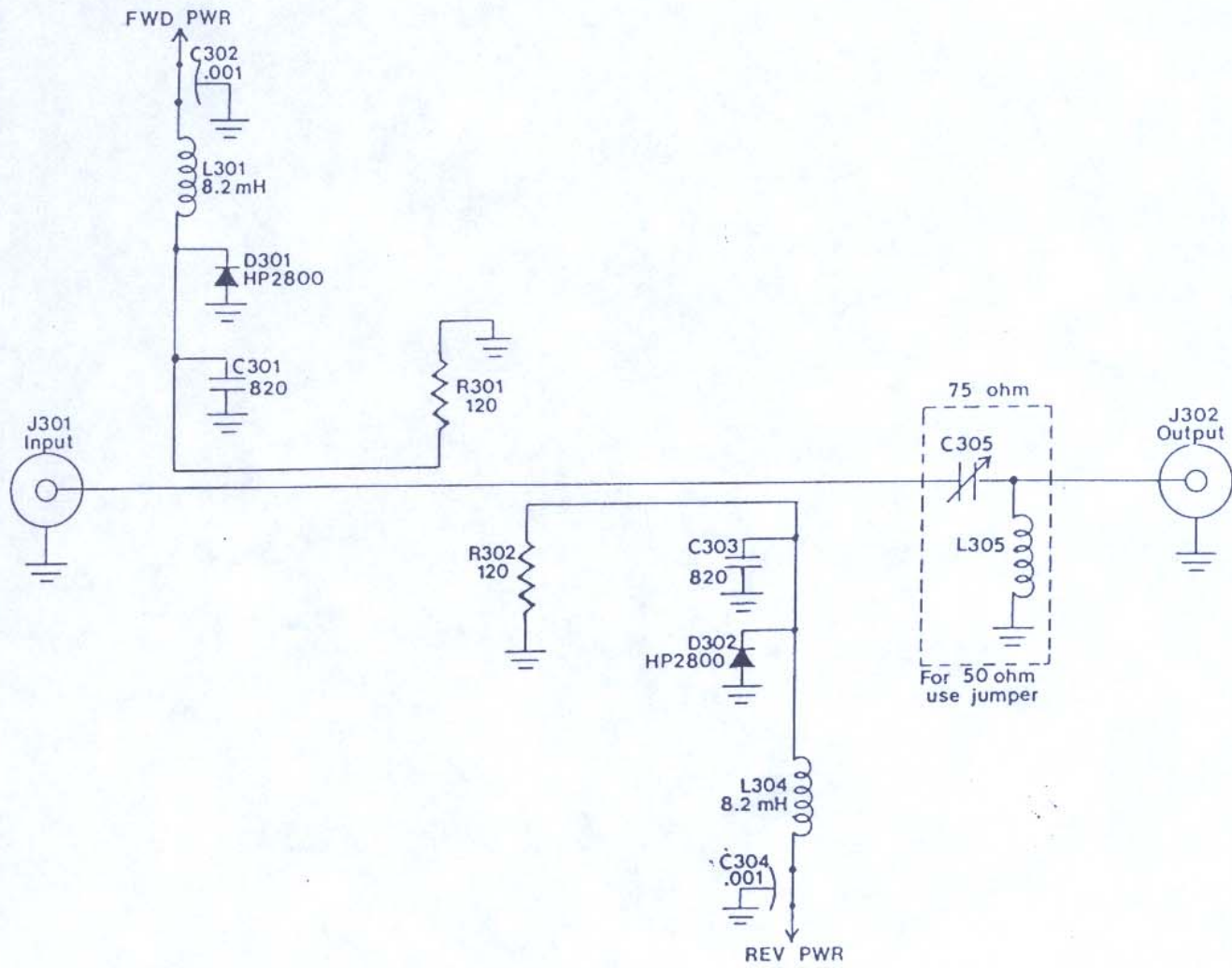


TOP VIEW
of control board adjustments
for model
J-3250



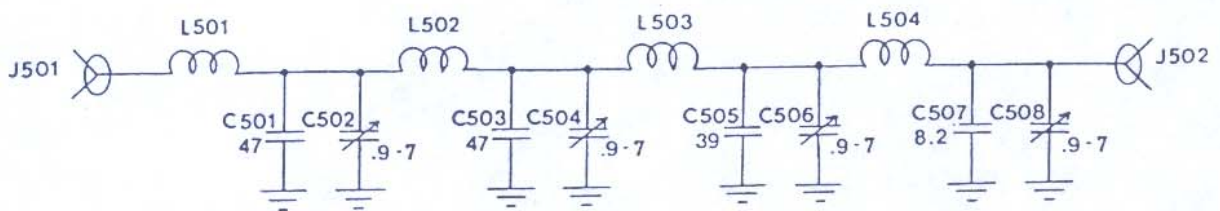
TEPCO CORPORATION		
CHASSIS WIRING/BLOCK DIAGRAM		
for J-3253 MAIN CHASSIS		
Drawing Number		DATE
FMA-249		10-1-1991





TEPCO Corporation
 Rapid City, So. Dak.

DIRECTIONAL COUPLER



Corporation

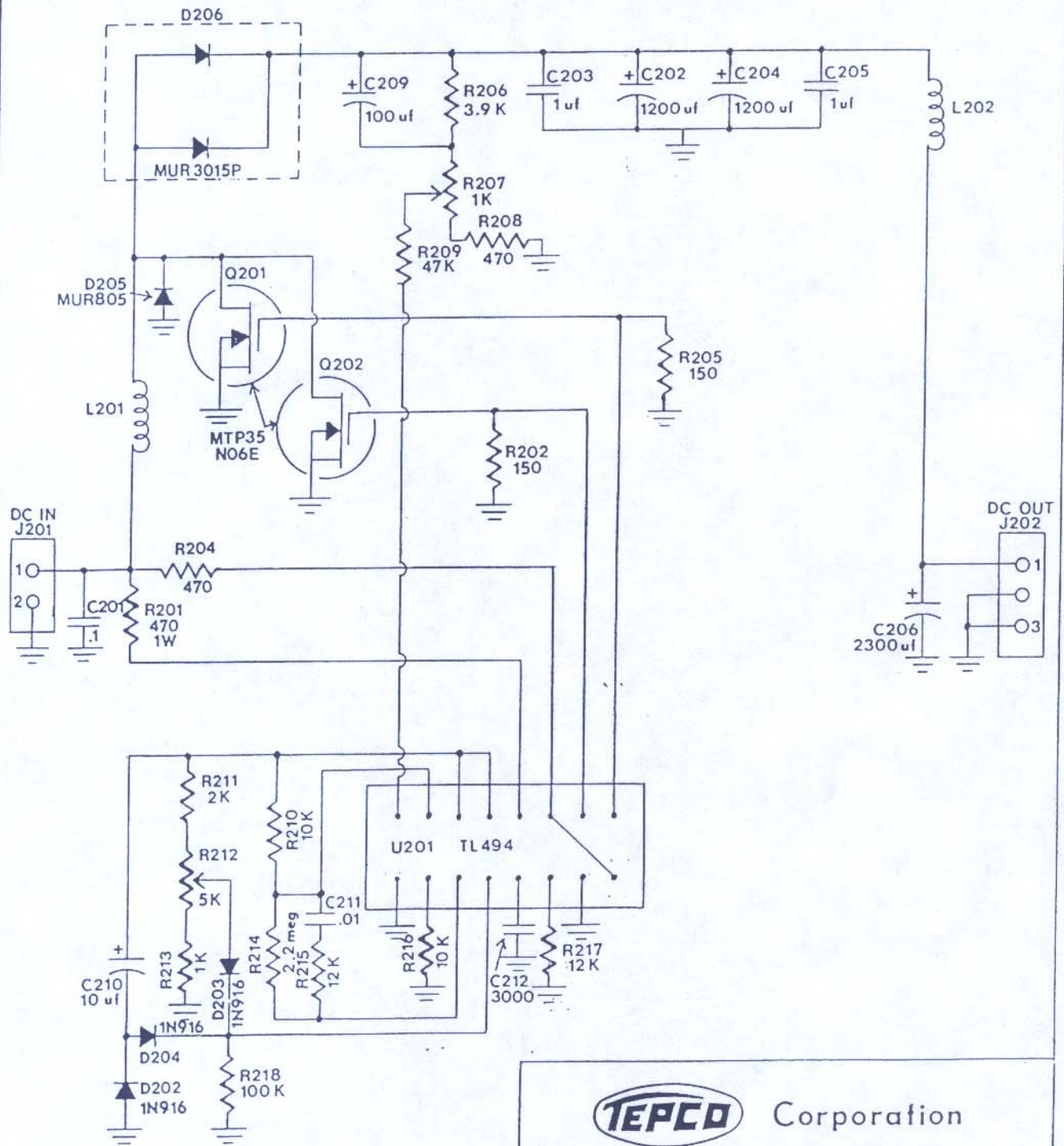
Rapid City, So. Dak.

LOW PASS FILTER

FL-108

Draw No FMA-253

Dated 9/25/91

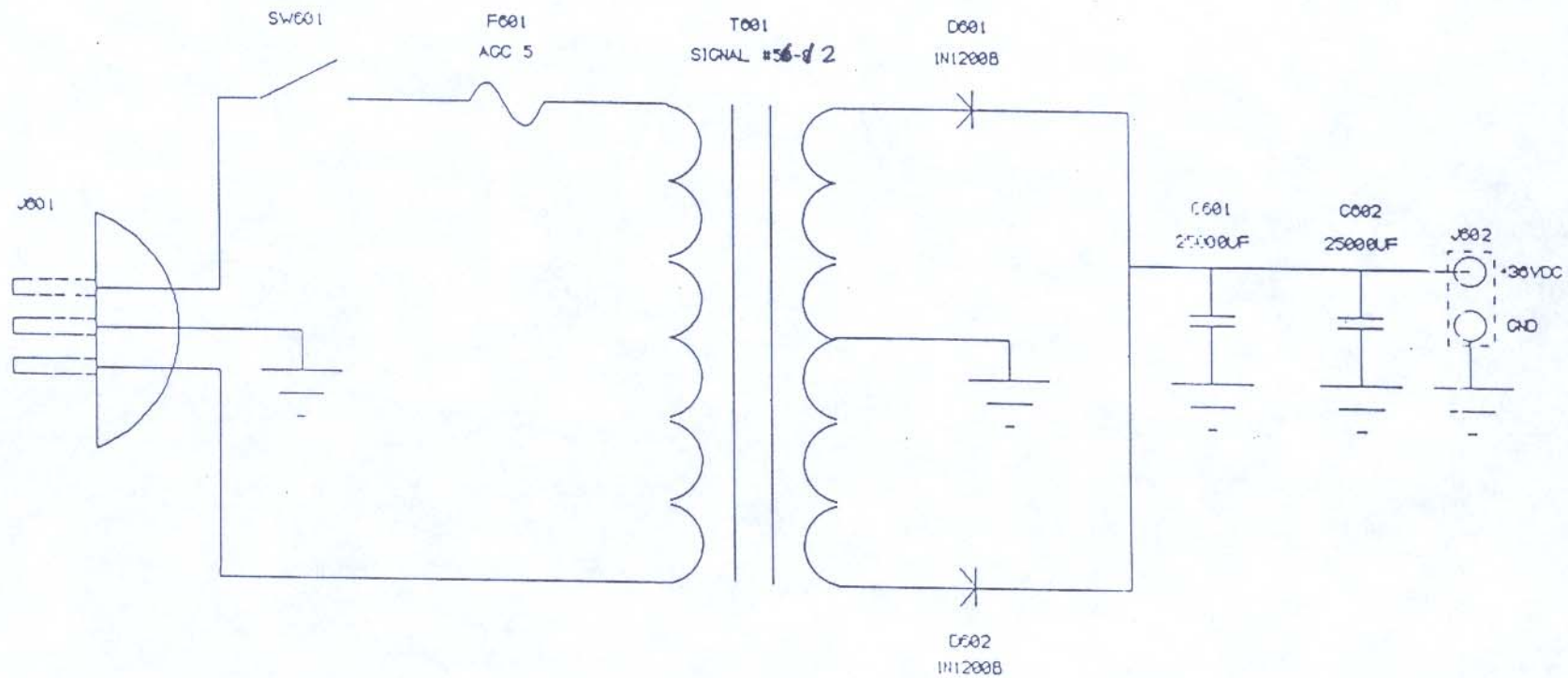


Corporation

Rapid City, So. Dak.

SWITCHING REGULATOR

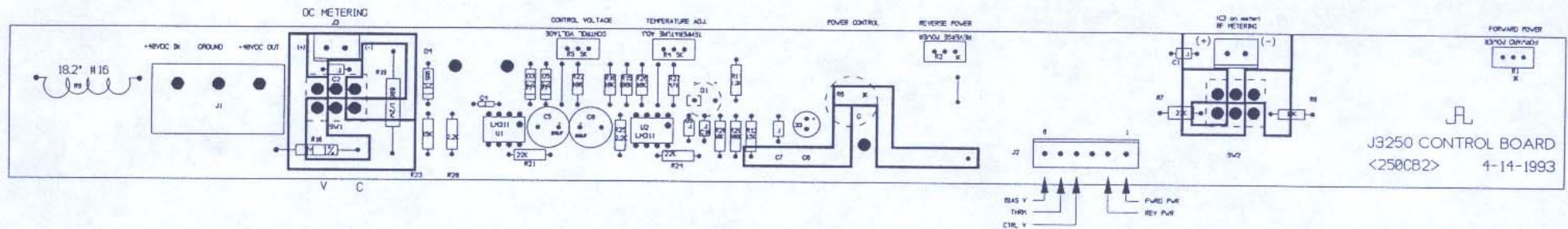
SVR - 14



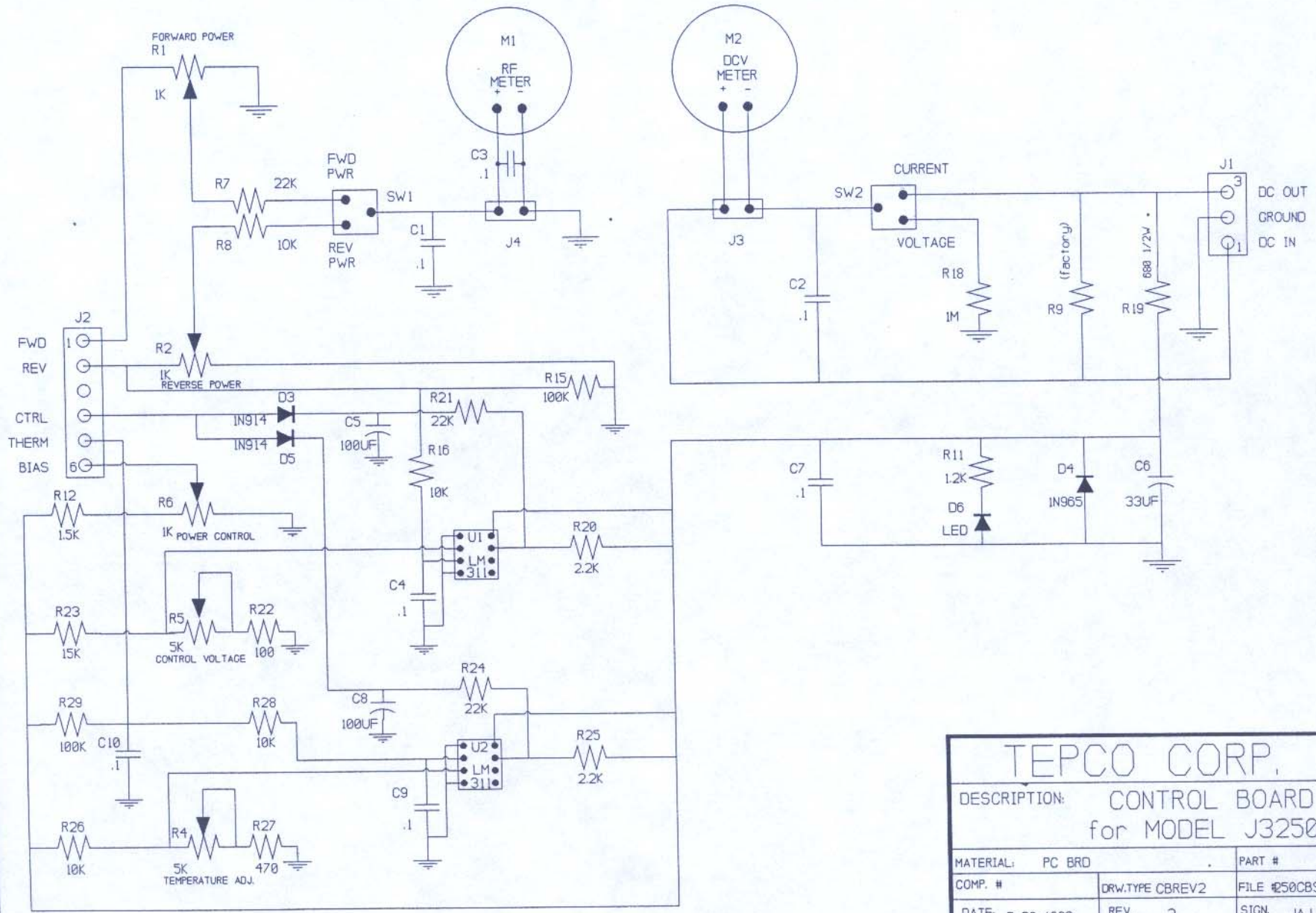
TEPCO CORPORATION	
SCHEMATIC	
for	
J-3250 POWER SUPPLY	
Drawing Number	DATE
FMA-255	10-1-1991

J3250 CONTROL BOARD PARTS LOCATOR

<250CBPL2> 7-30-1993



J
J3250 CONTROL BOARD
 <250CB2> 4-14-1993



TEPCO CORP.		
DESCRIPTION: CONTROL BOARD for MODEL J3250		
MATERIAL: PC BRD		PART #
COMP. #	DRW. TYPE CBREV2	FILE #250CBS2
DATE: 7-30-1993	REV. 2	SIGN. JAJ