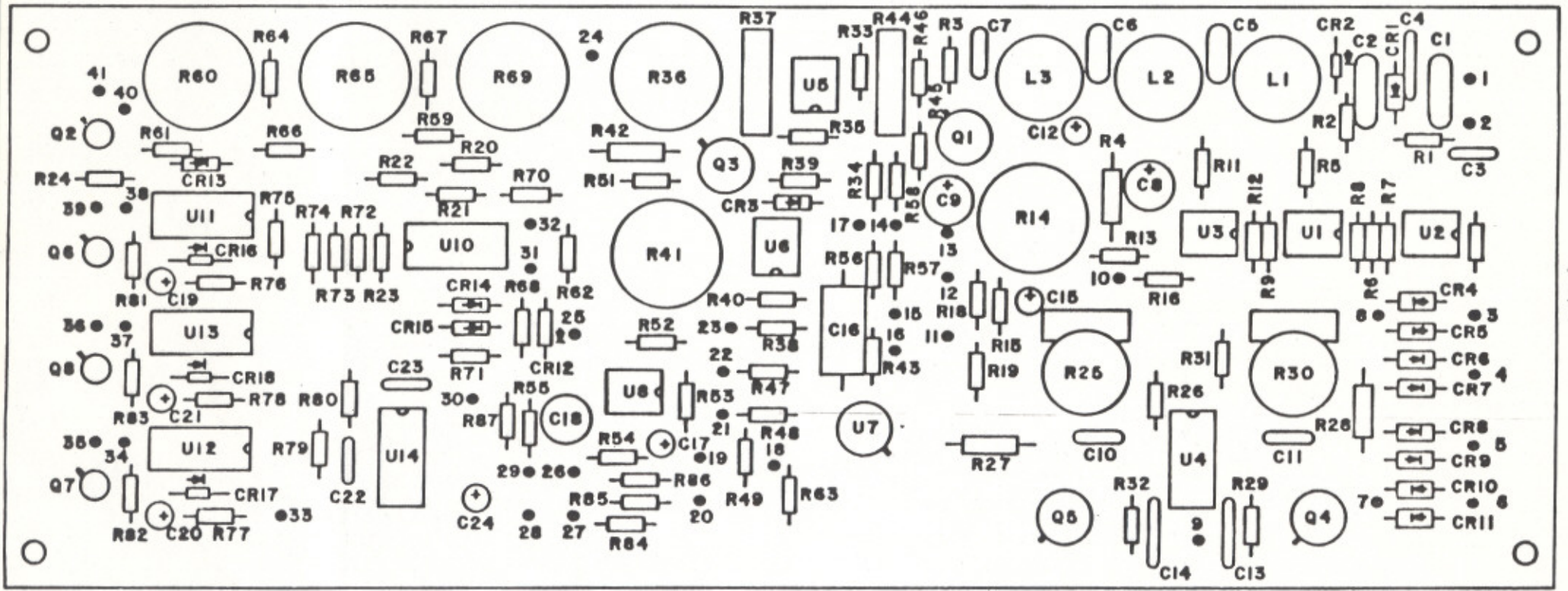
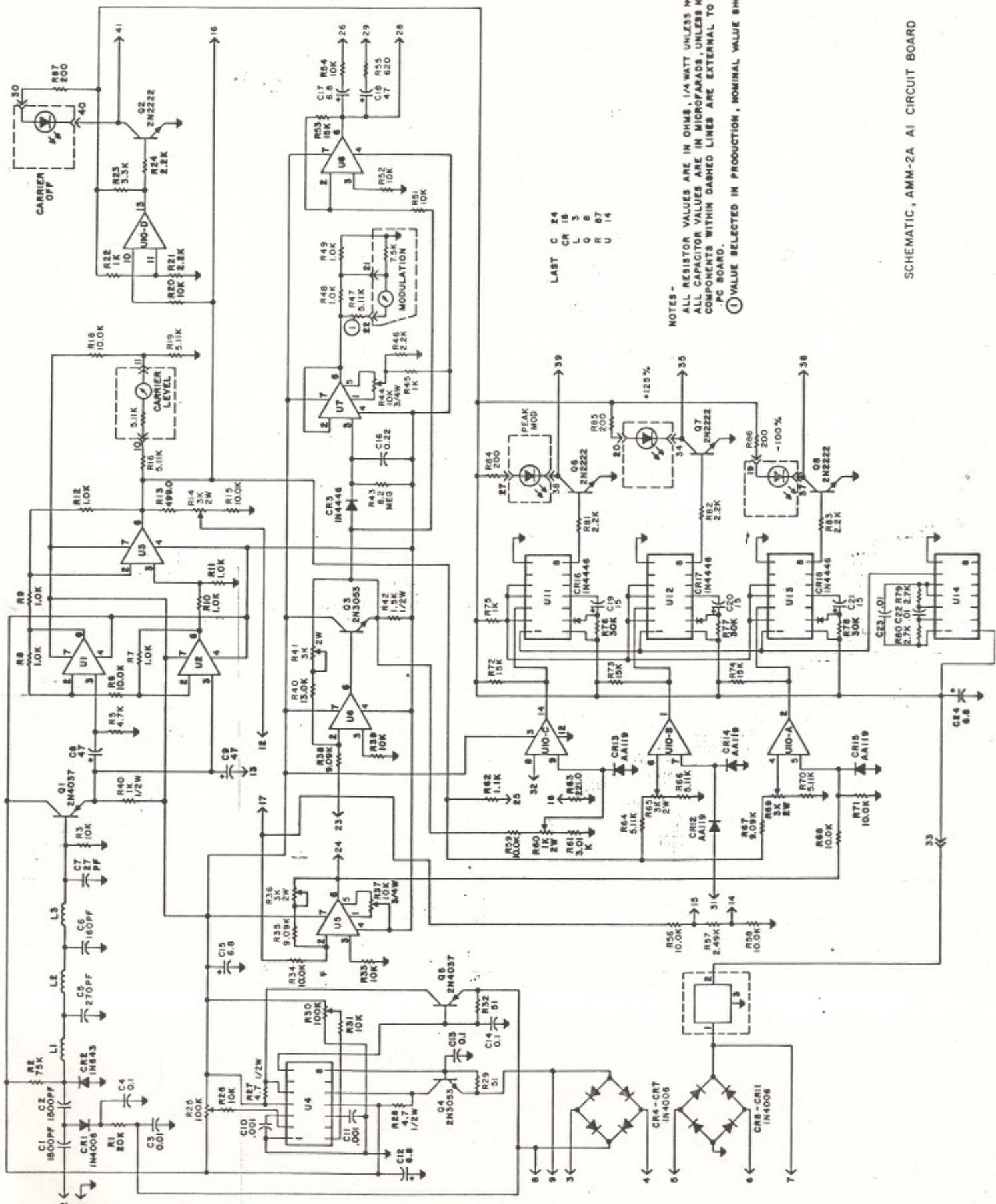


AMM-2A FRONT PANEL CONTROLS & INDICATORS



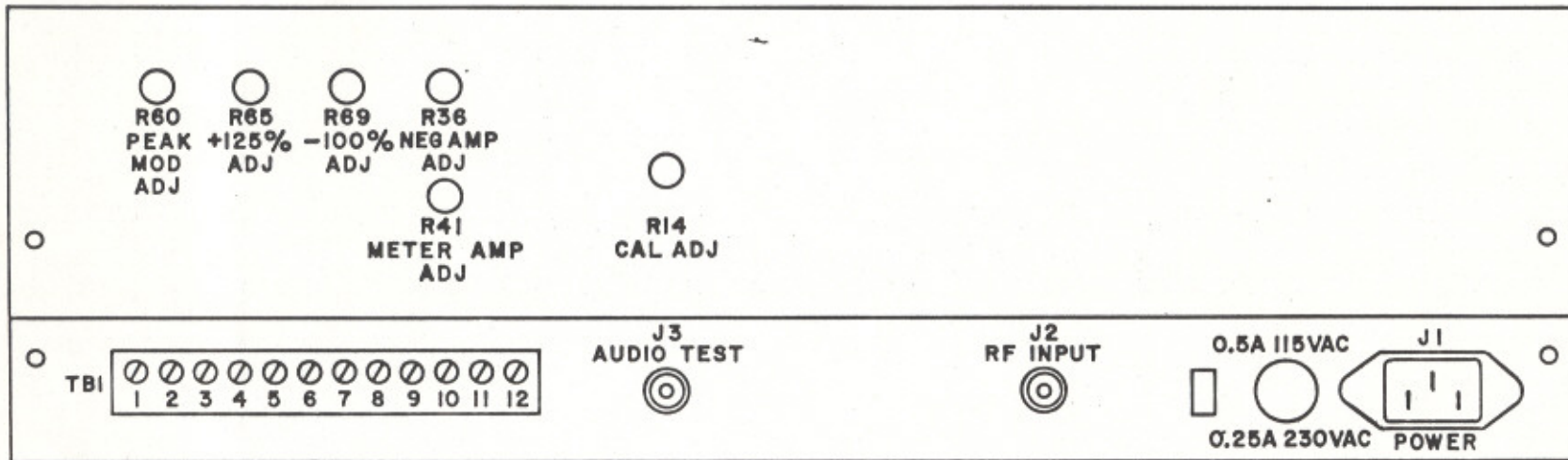
AMM-2A CIRCUIT CARD COMPONENTS



LAST C 24
 CR 16
 L 3
 O 8
 R 87
 U 14

NOTES -
 ALL RESISTOR VALUES ARE IN OHMS, 1/4 WATT UNLESS NOTED.
 ALL CAPACITOR VALUES ARE IN MICROFARADS, UNLESS NOTED.
 COMPONENTS WITHIN DASHED LINES ARE EXTERNAL TO THE
 PC BOARD.
 ① VALUE SELECTED IN PRODUCTION, NOMINAL VALUE SHOWN.

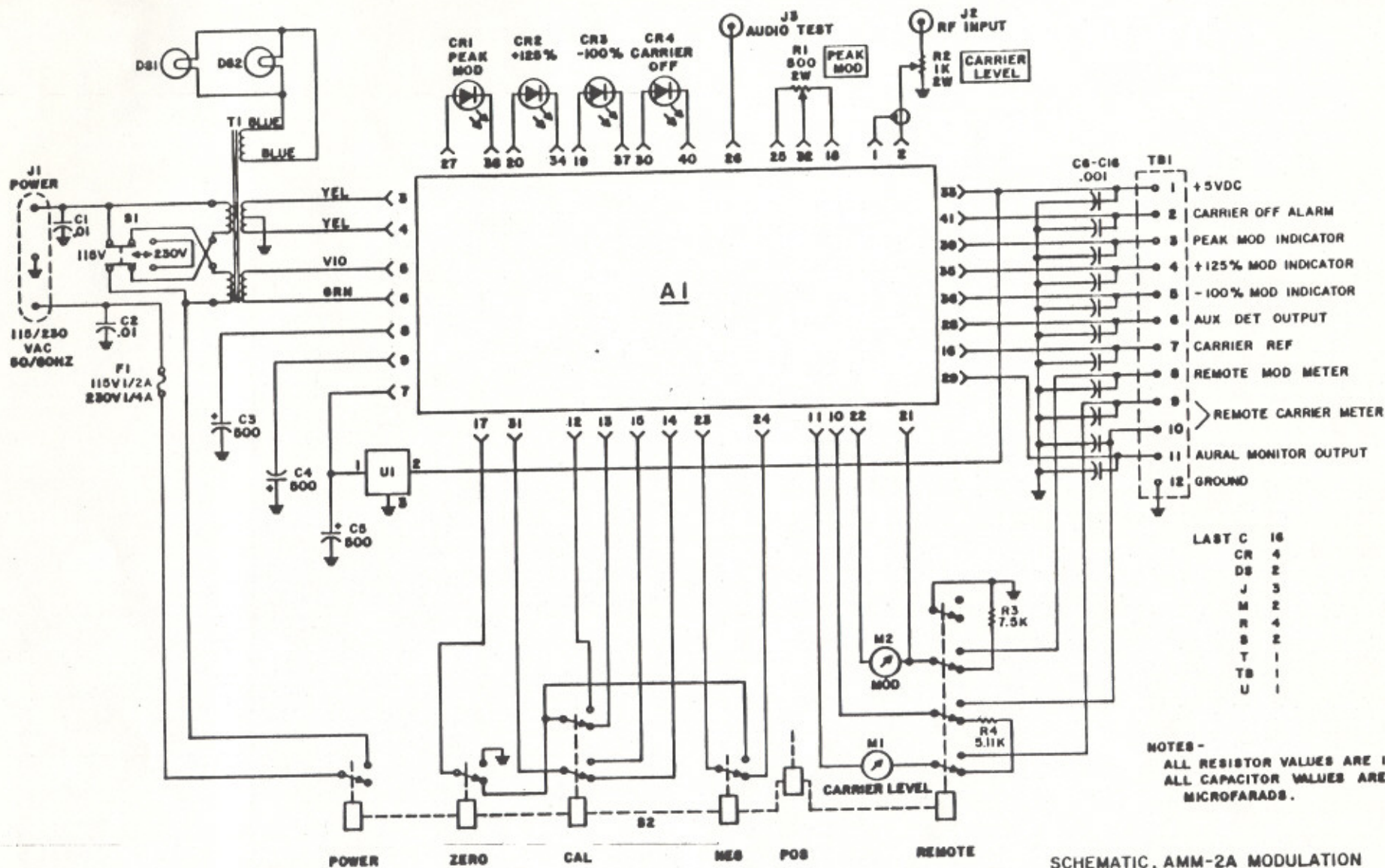
SCHEMATIC, AMM-2A AI CIRCUIT BOARD



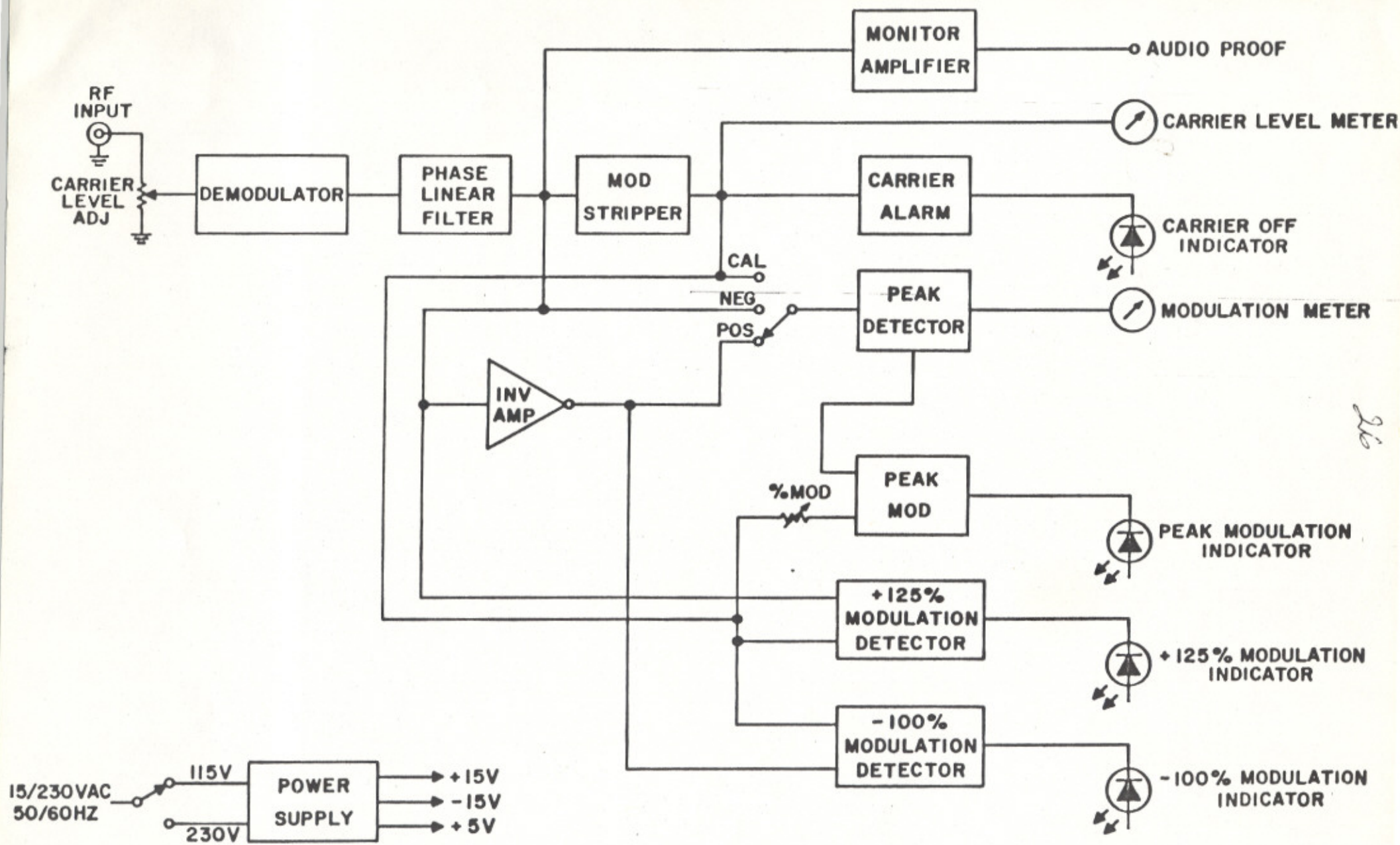
TBI

1. + 5VDC
2. CARRIER OFF ALARM
3. PEAK MOD INDICATOR
4. + 125% MOD INDICATOR
5. - 100% MOD INDICATOR
6. AUX DET OUTPUT
7. CARRIER REF
8. REMOTE MOD METER
9.) REMOTE CARRIER METER
10.)
11. AURAL MONITOR OUTPUT
12. GROUND

AMM-2A REAR CONNECTIONS & ADJUSTMENTS



SCHEMATIC, AMM-2A MODULATION MONITOR CHASSIS



BLOCK DIAGRAM AMM-2A



BELAR
ELECTRONICS LABORATORY, INC.

LANCASTER AVENUE AT DORSET, DEVON, PA. 19333 • BOX 826 • (215) 687-5550

Where Accuracy Counts . . . Count on Belar