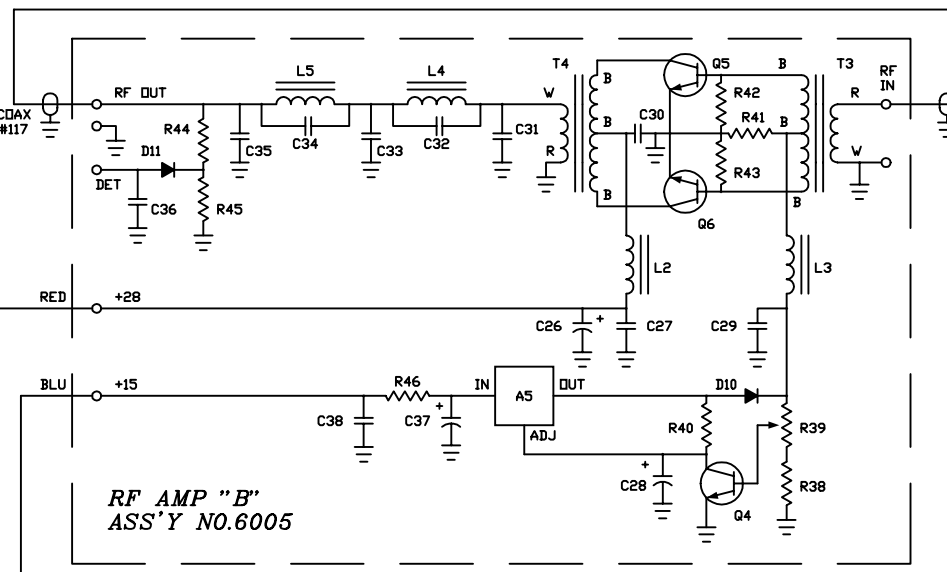


NOTE: R12, R28, R55 on exciter are factory set.



*NOTE: Power Supply "B" is a modified assembly 6015. Switch S1 is not installed.

