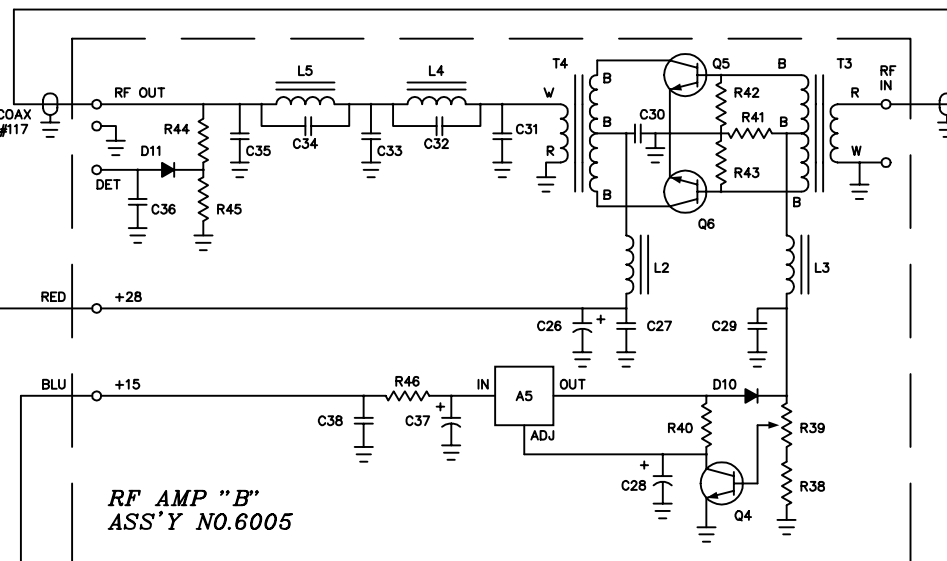


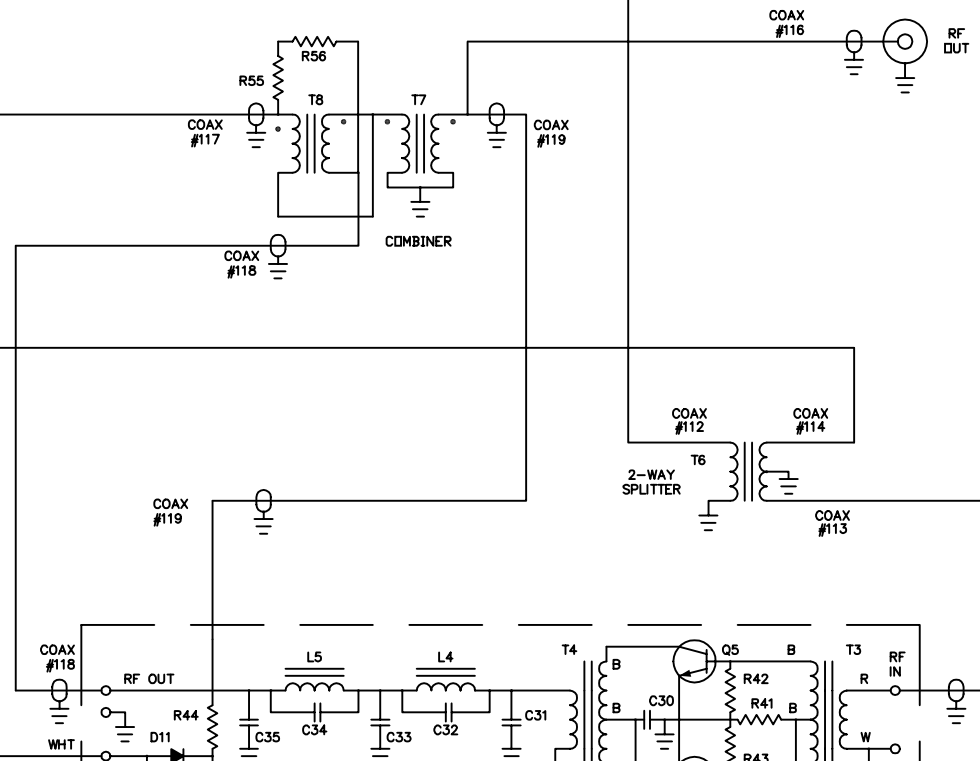
EXCITER ASS'Y NO.6094

NOTE: R12, R28, R55 on exciter are factory set.

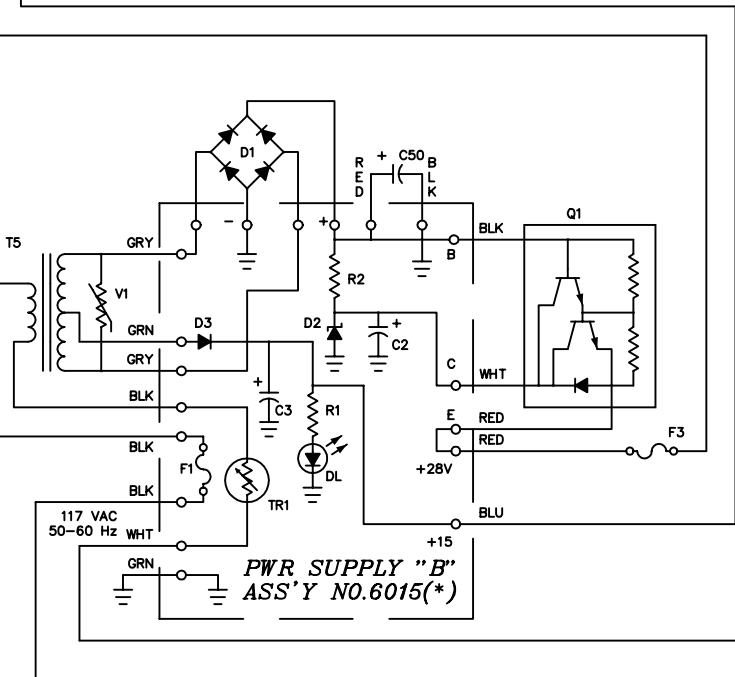


RF AMP "B" ASS'Y NO.6005

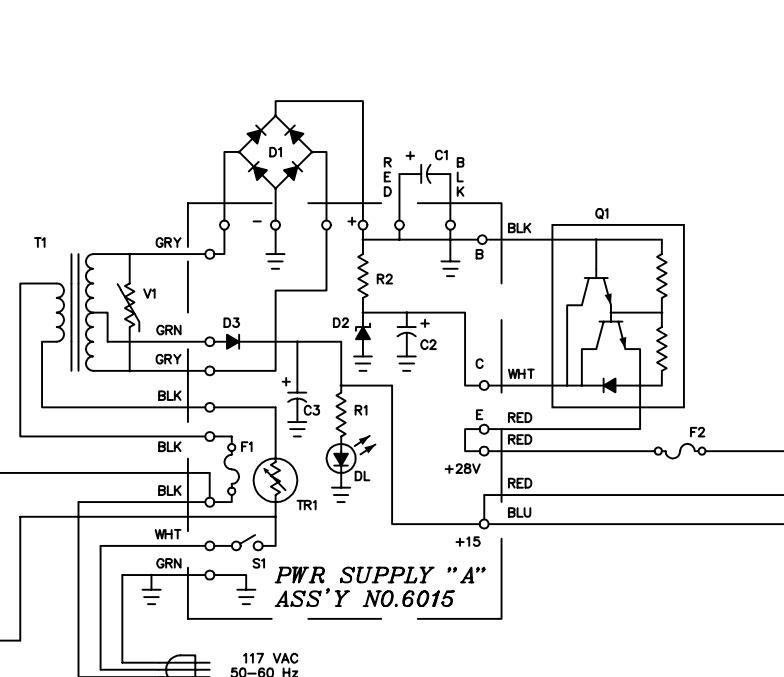
*NOTE: Power Supply "B" is a modified assembly 6015. Switch S1 is not installed.



RF AMP "A" ASS'Y NO.6005



PWR SUPPLY "B" ASS'Y NO.6015(*)



PWR SUPPLY "A" ASS'Y NO.6015