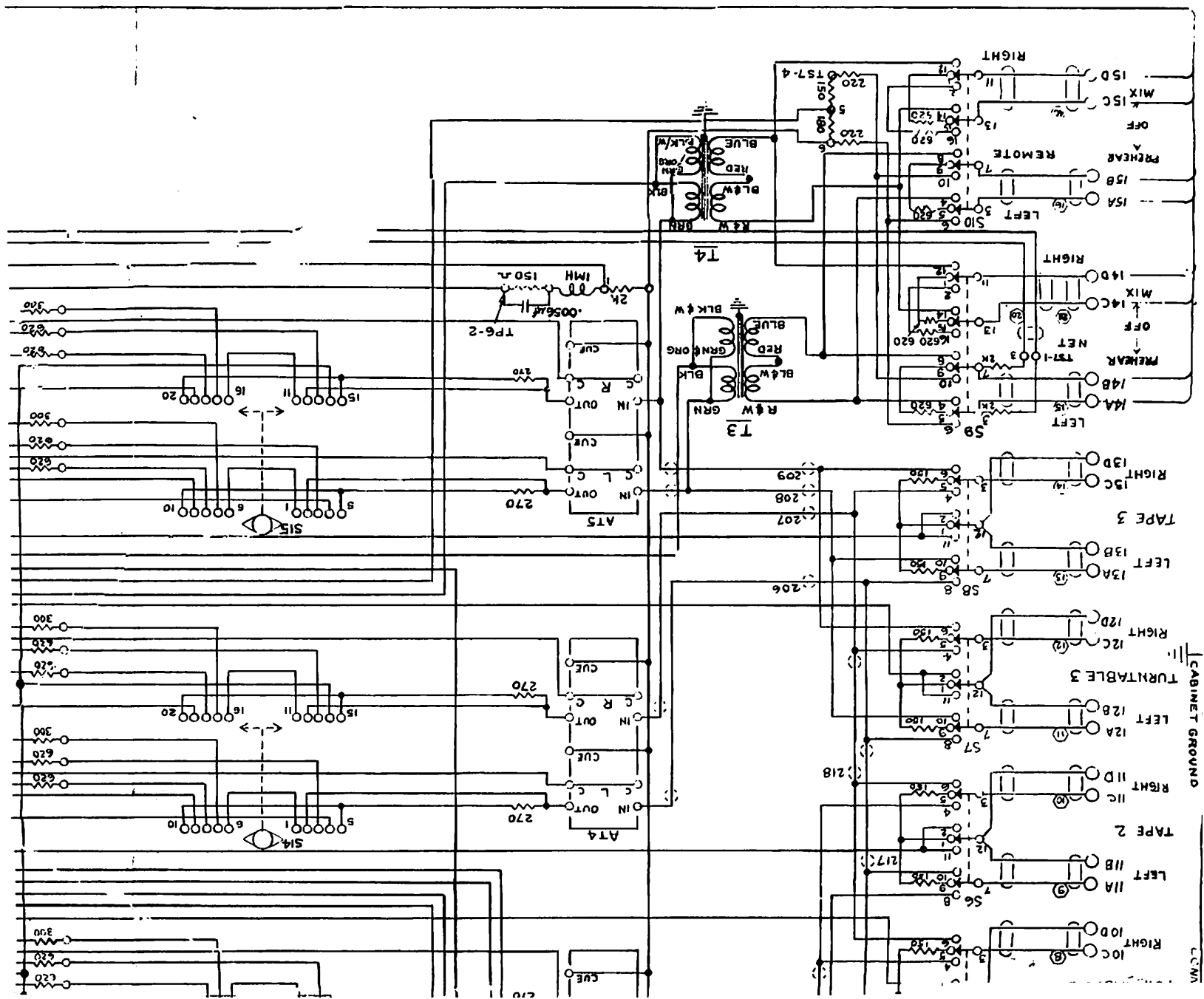
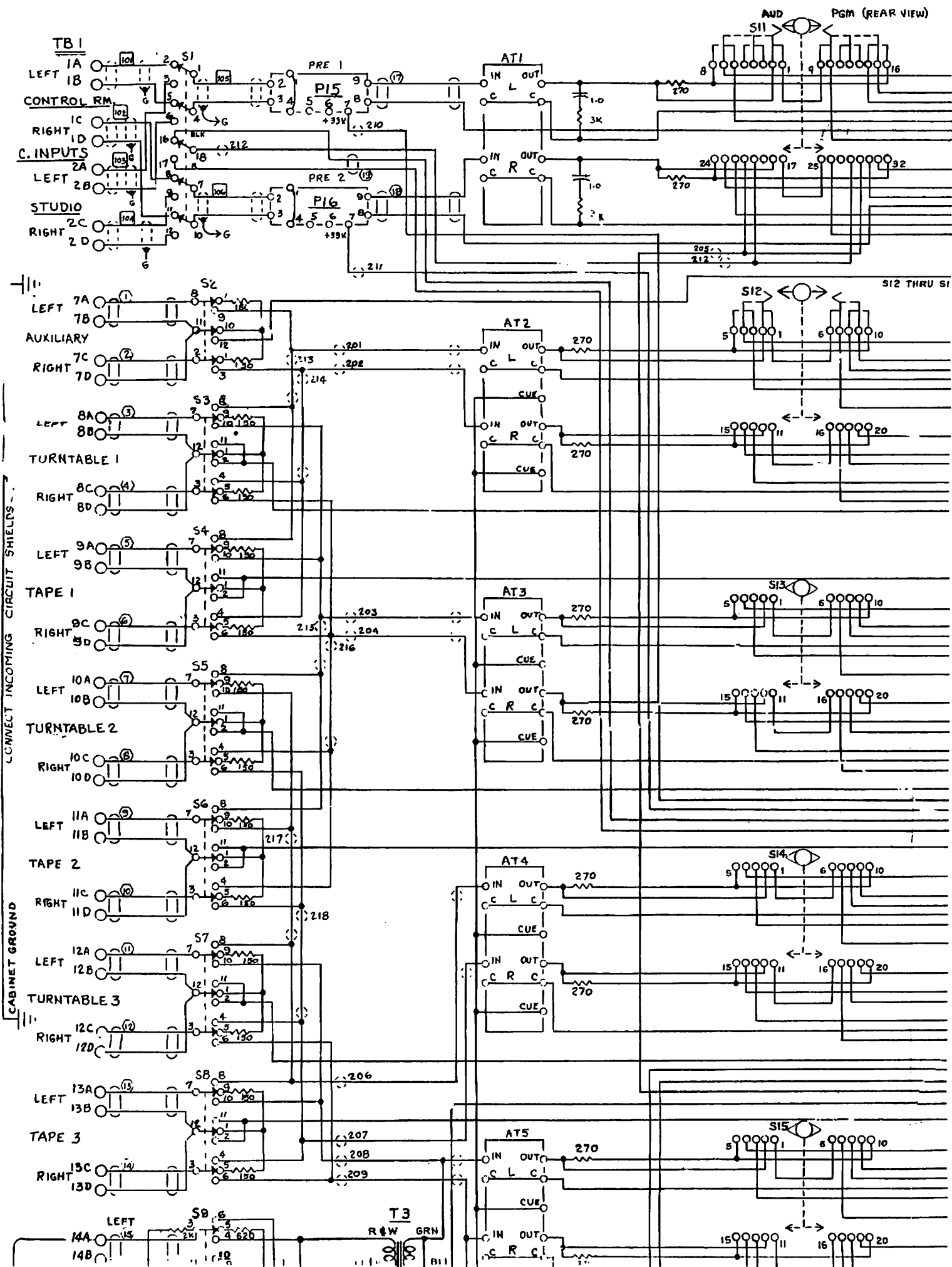
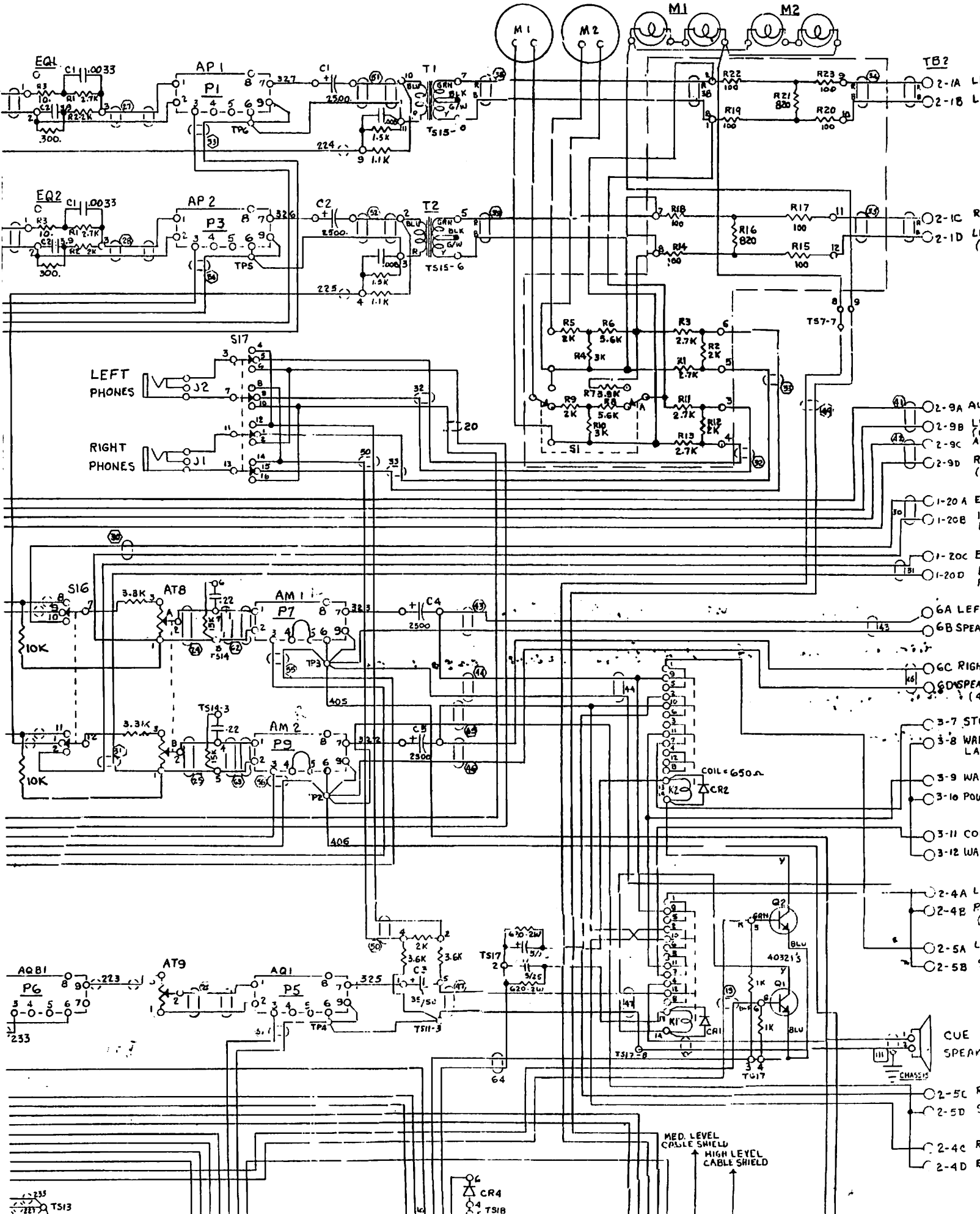


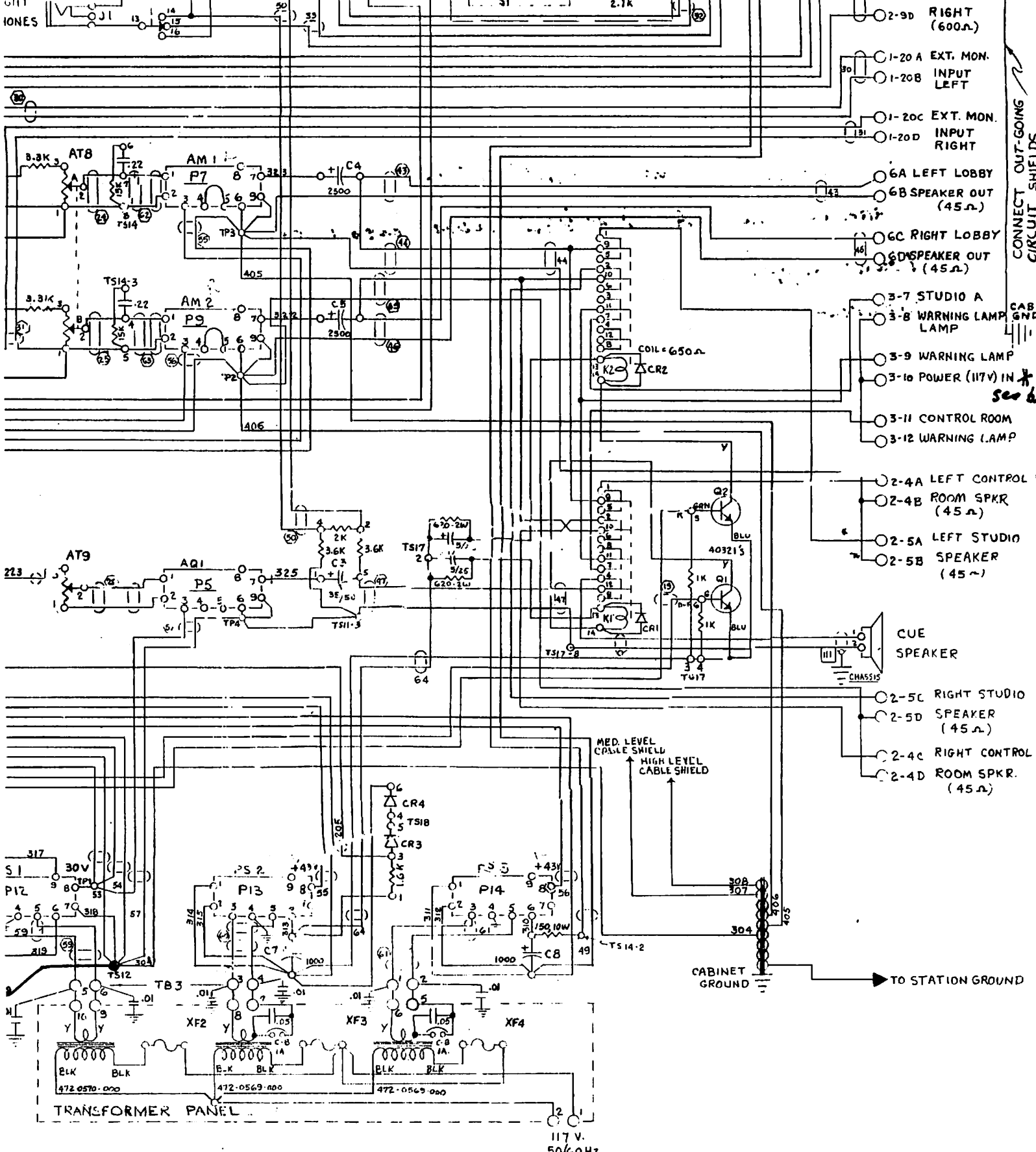
**FUNCTIONAL BLOCK DIAGRAM
5 CHANNEL STEREO STATESMAN M6540B/C**





LEFT VU RIGHT





WIRING DIAGRAM - M6540C
 STEREO STATESMAN CONSOLE
 842 6207 001

ENG NOTES ON BACK