

METER  
ZERO

METER  
CAL.

POS.  
ADJ.

E9  
W/ORG.

E10  
W/BRN.

REV. PWR.  
ADJ.

FWD. PWR.  
ADJ.

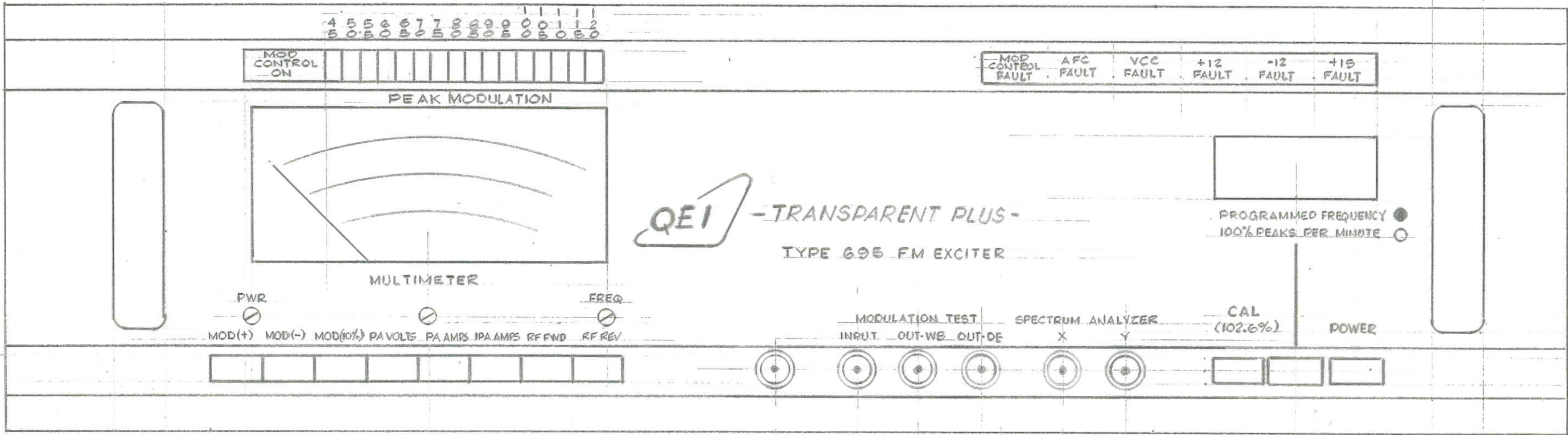
E8  
W/GRN.

E16  
GRN  
E14  
RED  
E5  
VIO  
E2  
W/ORG  
E1  
W/RED  
E3  
W/YEL.

TOLERANCES (EXCEPT AS NOTED)	REVISIONS			DRAWN BY DCP 10/9/04	SCALE FULL SIZE	MATERIAL
	NO.	DATE	BY			
DECIMAL	1					
FRACTIONAL	2					
ANGULAR	3					
	4					
	5					
	6					

CORPORATION  
 WILLIAMSTOWN, NJ  
**COMPONENT LAYOUT,  
 - A3 DISPLAY & INTERFACE ASSY**  
 DATE  
 APP'D  
 TRACED  
 DRAWING NO.  
**695200**

DATE	SYM	REVISION RECORD	DR.	CK.

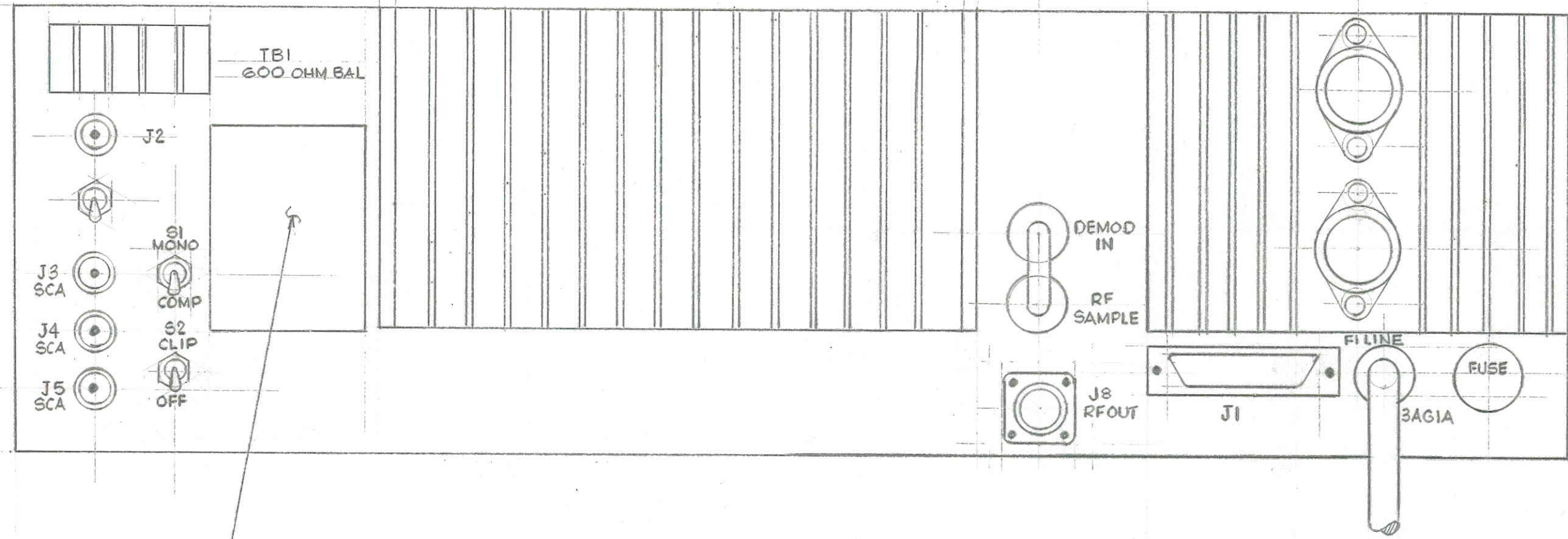


TOLERANCES (EXCEPT AS NOTED)	<b>QEI CORPORATION</b> WILLIAMSTOWN, NJ		
	DECIMAL ± X	SCALE 3/4 SIZE	DRAWN BY DCP
FRACTIONAL ± X	TITLE FRONT PANEL DRAWING - 695 FM EXCITER -		
ANGULAR ±	DATE 12/16/86	DRAWING NUMBER 695207	

BRUNING 40-22 67031

12/16/86 121686-1

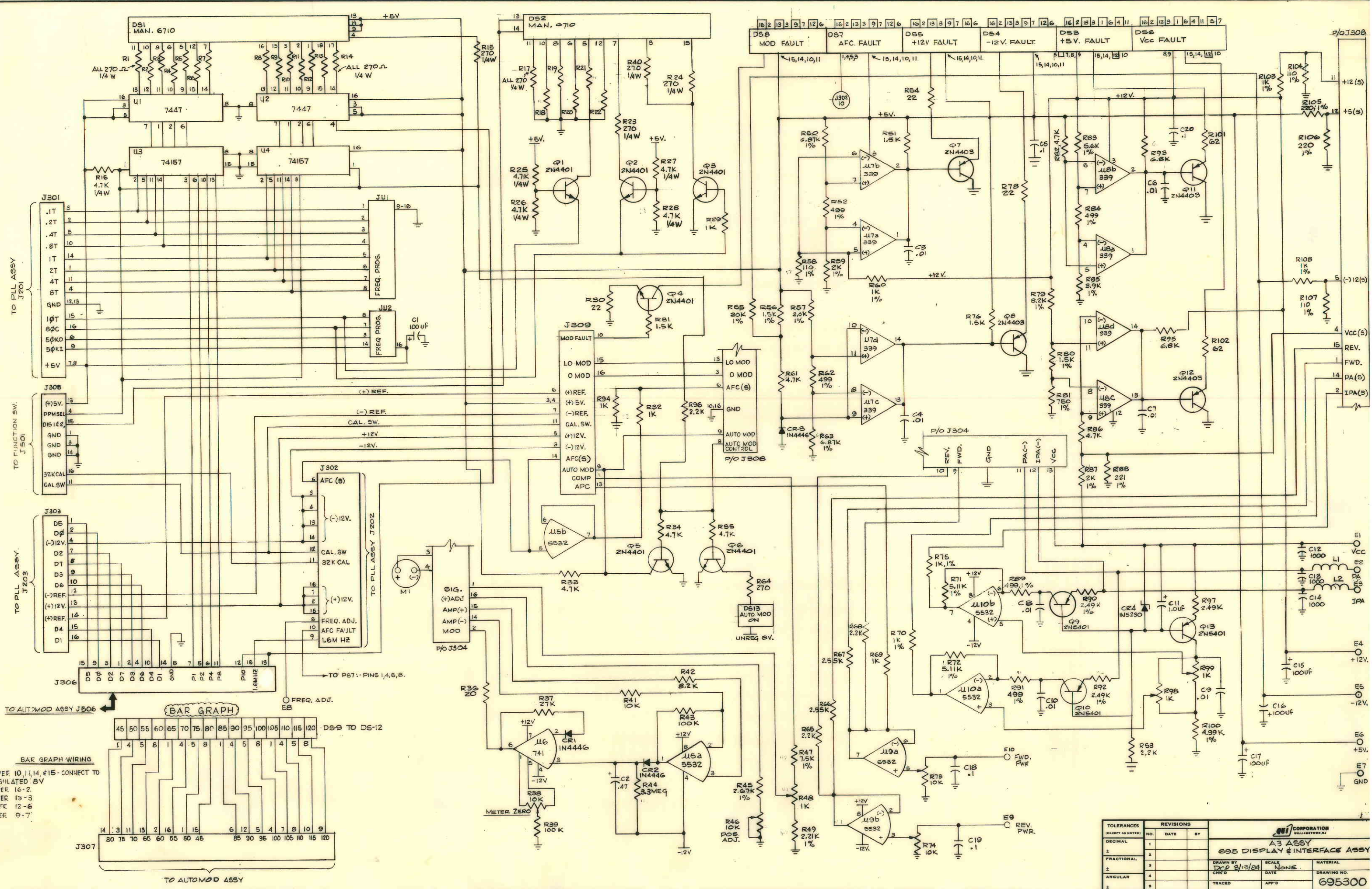
DATE	SYM	REVISION RECORD	DR.	CK.



QEI LABEL

TOLERANCES (EXCEPT AS NOTED)	<b>QEI CORPORATION</b> WILLIAMSTOWN, NJ		
	DECIMAL ± X	SCALE 3/4 SIZE	DRAWN BY DCP
FRACTIONAL ± X	TITLE REAR PANEL 695 FM EXCITER		
ANGULAR ± X	DATE 12/17/86	DRAWING NUMBER 695208	
APPROVED BY			

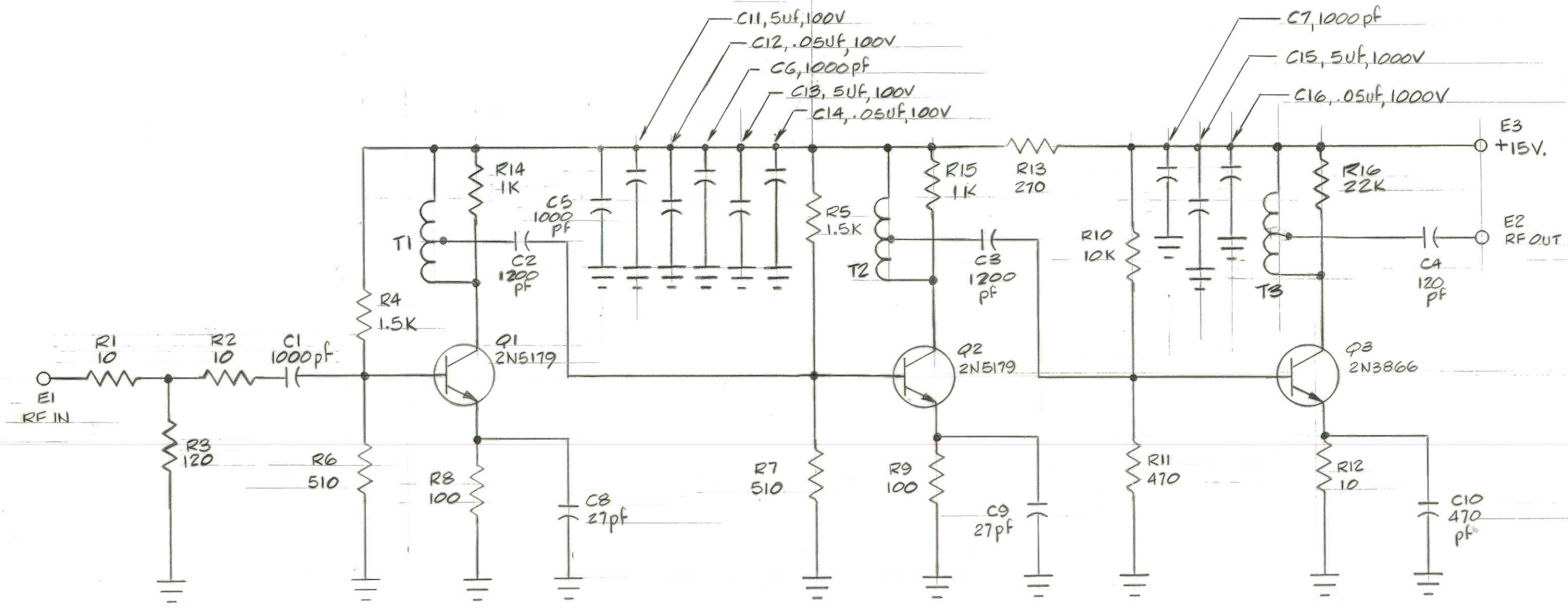
BRUNING 40-22 67031



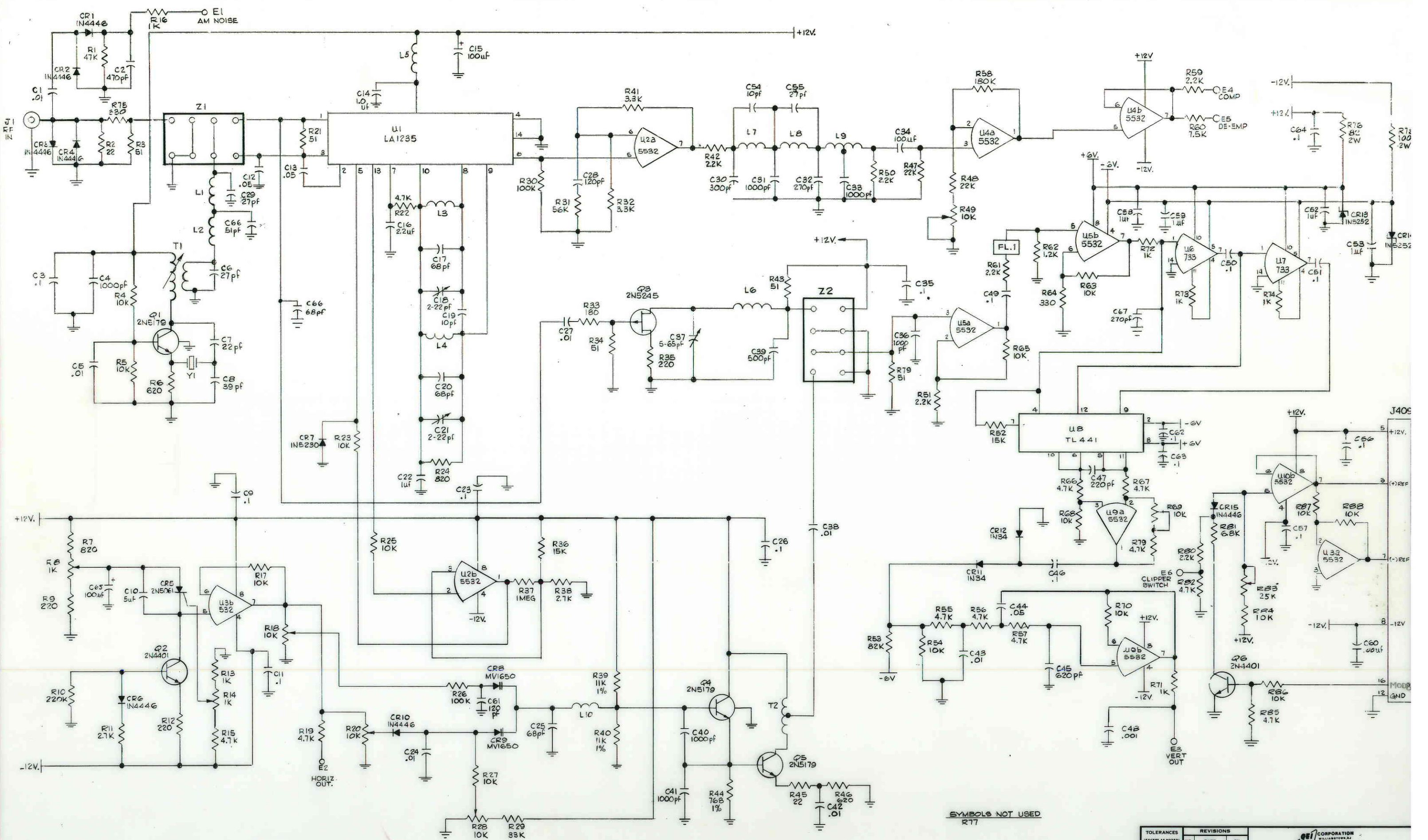
**BAR GRAPH WIRING**  
 JUMPER 10, 11, 14, #15 - CONNECT TO UNREGULATED 8V  
 JUMPER 16-2  
 JUMPER 13-3  
 JUMPER 12-6  
 JUMPER 9-7

TOLERANCES		REVISIONS		CORPORATION	
DECIMAL	FRACTIONAL	NO.	DATE	BY	
±	±	1			
±	±	2			
±	±	3			
±	±	4			
±	±	5			
±	±	6			

**A3 ASSY**  
**695 DISPLAY & INTERFACE ASSY**  
 DRAWN BY: D22 8/13/84  
 SCALE: NONE  
 DATE: NONE  
 MATERIAL: NONE  
 TRACED: NONE  
 APP'D: NONE  
 DRAWING NO: 695300



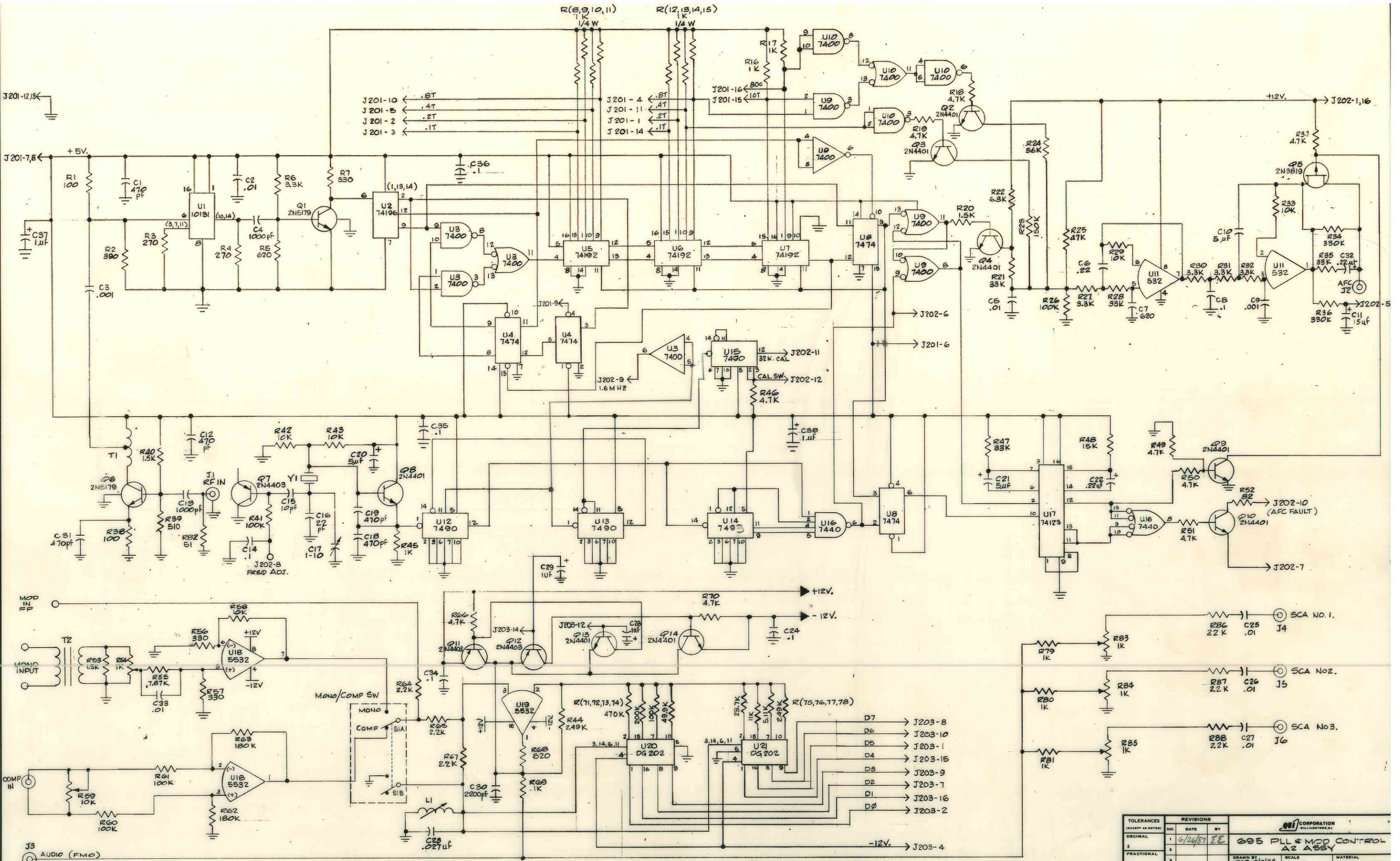
TOLERANCES (EXCEPT AS NOTED)	REVISIONS			QEI CORPORATION WILLIAMSTOWN, NJ		
	NO.	DATE	BY	695 BUFFER AMP A6 ASSY		
DECIMAL	1			DRAWN BY DCP B/20/8A	SCALE NTS	MATERIAL
±	2					
FRACTIONAL	3			CHK'D	DATE	DRAWING NO. 695304
±	4					
ANGULAR	5			TRACED	APP'D	
±						



SYMBOLS NOT USED  
R17

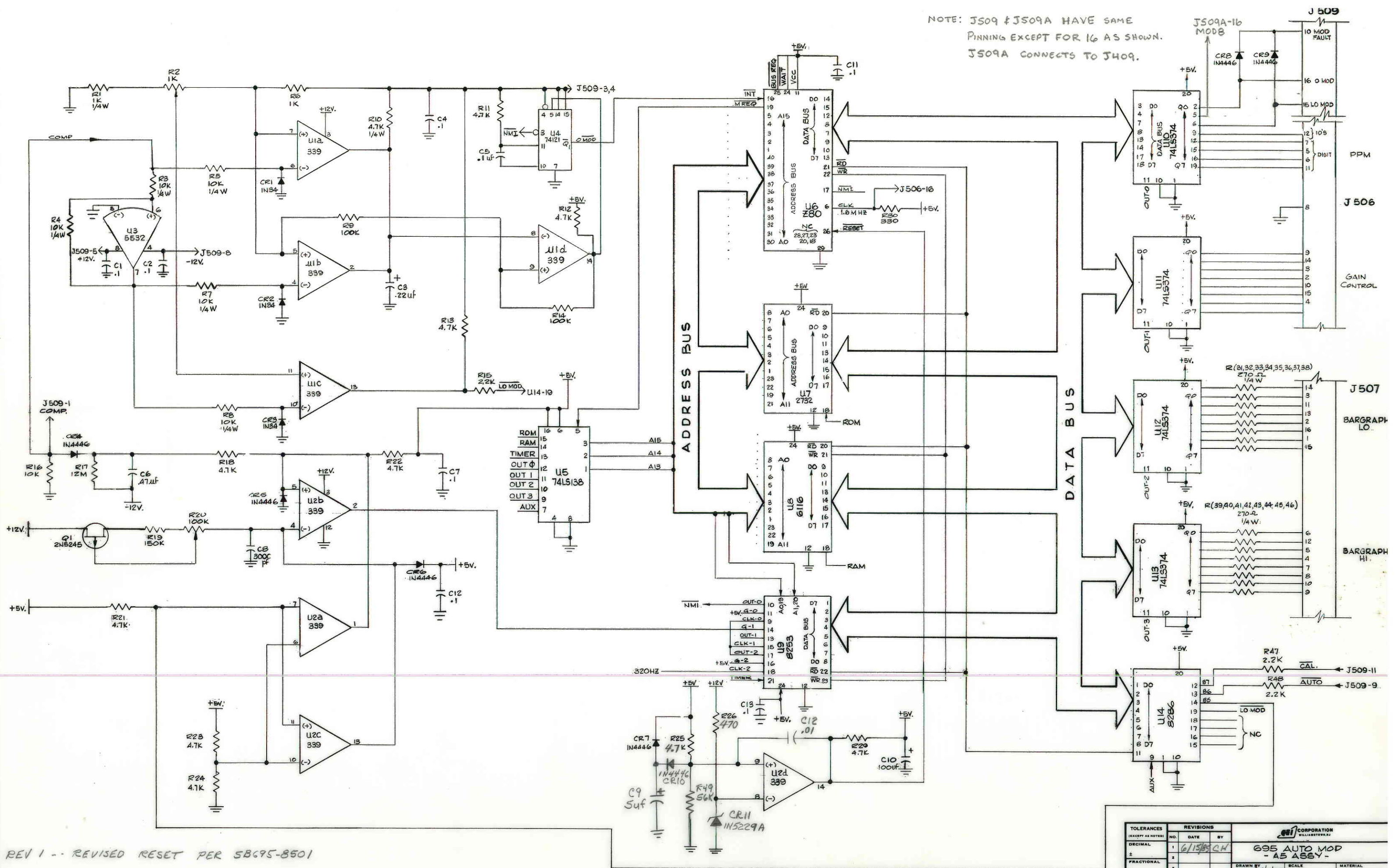
TOLERANCES (EXCEPT AS NOTED)	REVISIONS			DRAWN BY D.C.P. 7/25/84	SCALE NTS	MATERIAL
	NO.	DATE	BY			
DECIMAL	1	11/19/84	E.E.	605 RECEIVER/LOG AMPLIFIER SCHEMATIC A4 ASSY		
FRACTIONAL	2					
	3					
ANGULAR	4					
	5					

CORPORATION  
 WILLIAMSTOWN, MA  
 TRACED APP'D  
 DRAWING NO. 695301



TOLERANCES		REVISIONS		CORPORATION		
(EXCEPT AS NOTED)		NO.	DATE	BY	MILLICORPORATION	
DECIMAL	1	6/26/87	EE		695 PLL & MOD CONTROL AZ ASSY	
FRACTIONAL	2				DRAWN BY	SCALE
±	3				DATE	MATERIAL
±	4				TRACED	DRAWING NO.
±	5				APP'D	695302

NOTE: J509 & J509A HAVE SAME  
PINNING EXCEPT FOR 16 AS SHOWN.  
J509A CONNECTS TO J409.



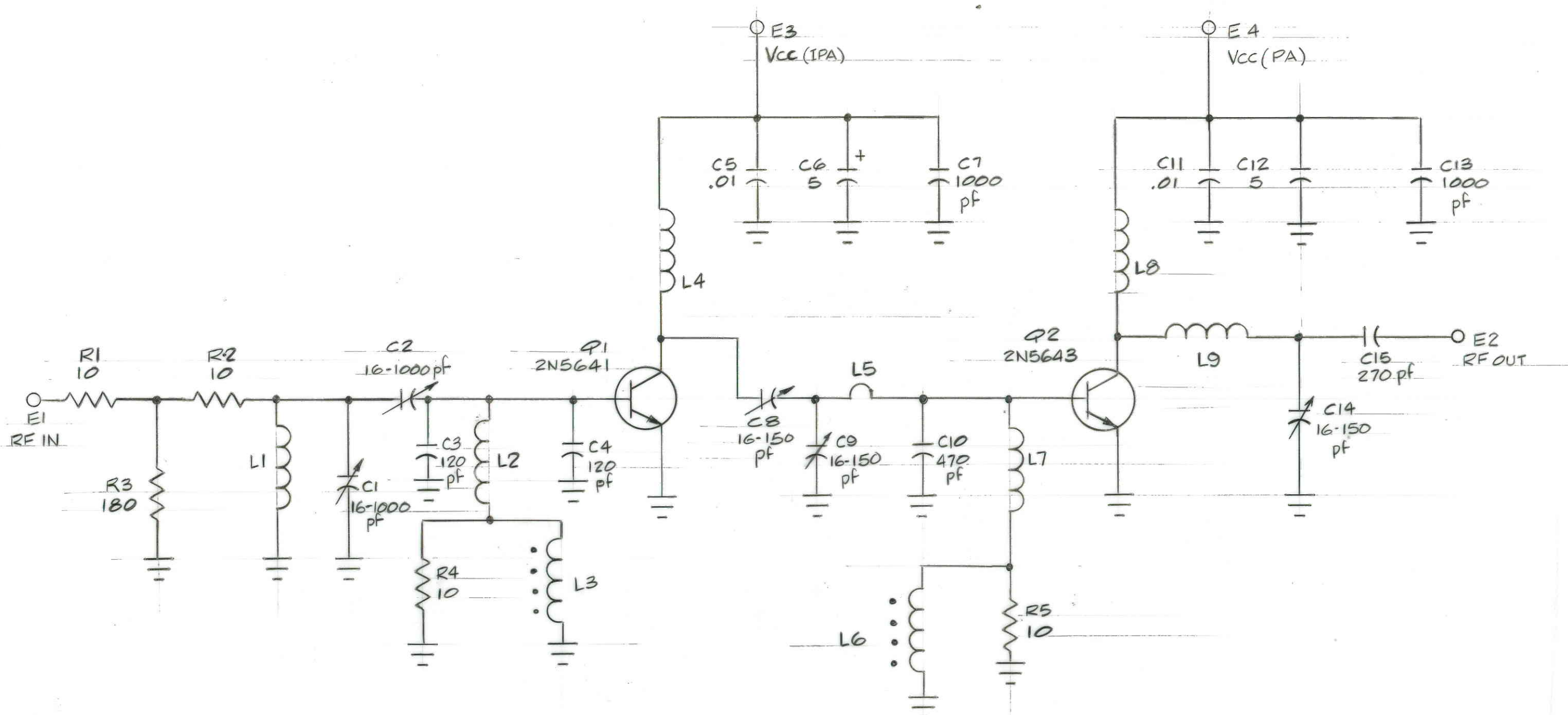
REV 1 -- REVISED RESET PER SB695-8501

TOLERANCES (EXCEPT AS NOTED)		REVISIONS		CORPORATION MILWAUKEE, WIS.		
DECIMAL	FRACTIONAL	NO.	DATE	BY	DRAWN BY	SCALE
±	±	1	6/15/85	CH	DCP/blg/84	
±	±	2				
±	±	3				
±	±	4				
±	±	5				

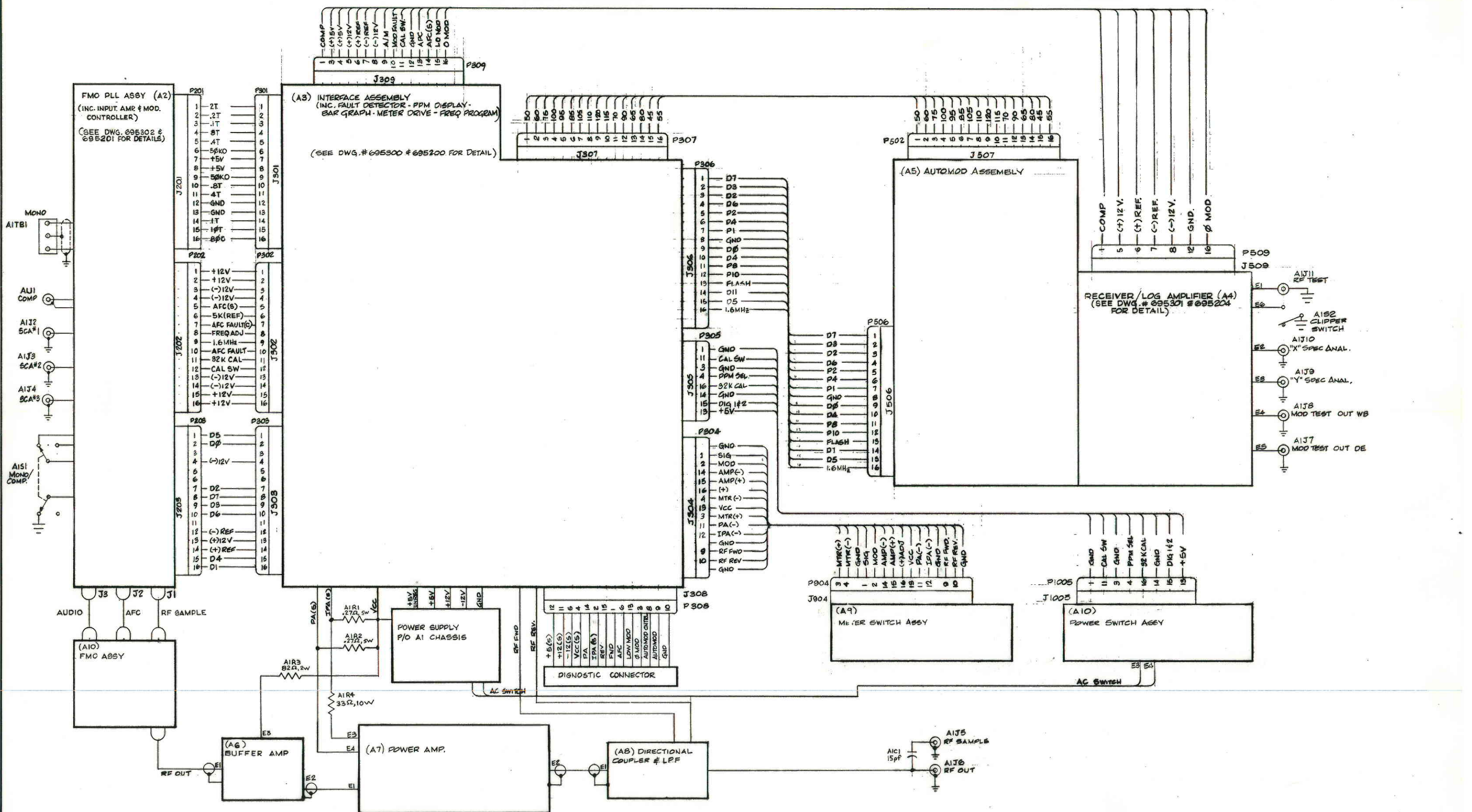
  

695 AUTO MOD - AS ASSY -		MATERIAL
DATE	DATE	DRAWING NO.
TRACED	APP'D	695303





TOLERANCES (EXCEPT AS NOTED)	REVISIONS					
	NO.	DATE	BY			
DECIMAL	1			<b>695 POWER AMP A7 ASSY</b> DRAWN BY <i>JCP 8/20/84</i> SCALE _____    MATERIAL _____ CHK'D _____    DATE _____    DRAWING NO. _____ TRACED _____    APP'D _____ <b>695305</b>		
±	2					
FRACTIONAL	3					
±	4					
ANGULAR	5					



TOLERANCES		REVISIONS			CORPORATION		
(EXCEPT AS NOTED)		NO.	DATE	BY	SCALE	MATERIAL	DRAWING NO.
DECIMAL	±	1			NONE		695309
FRACTIONAL	±	2					
ANGULAR	±	3					
	±	4					
	±	5					

**- 695 CHASSIS -**  
**INTERCONNECTION DIAGRAM.**

DRAWN BY: *[Signature]* DATE: 3/10/64  
 CHECKED: *[Signature]* DATE: *[Signature]*  
 TRACED: *[Signature]* APP'D: *[Signature]*

