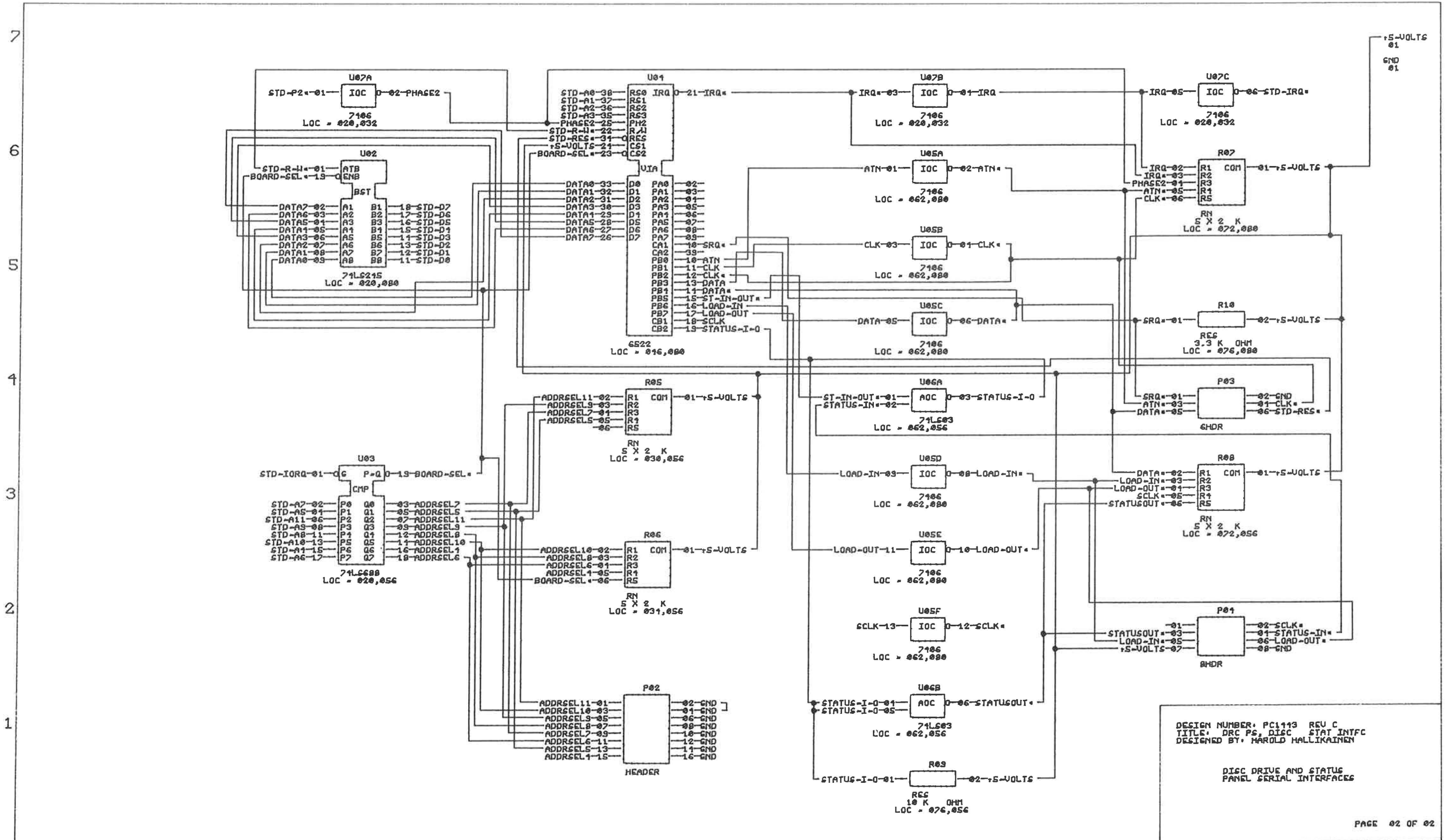


DESIGN NUMBER: PC1143 REV C
 TITLE: DRC PS, DISC STAT INTFC
 DESIGNED BY: HAROLD HALLIKAINEN

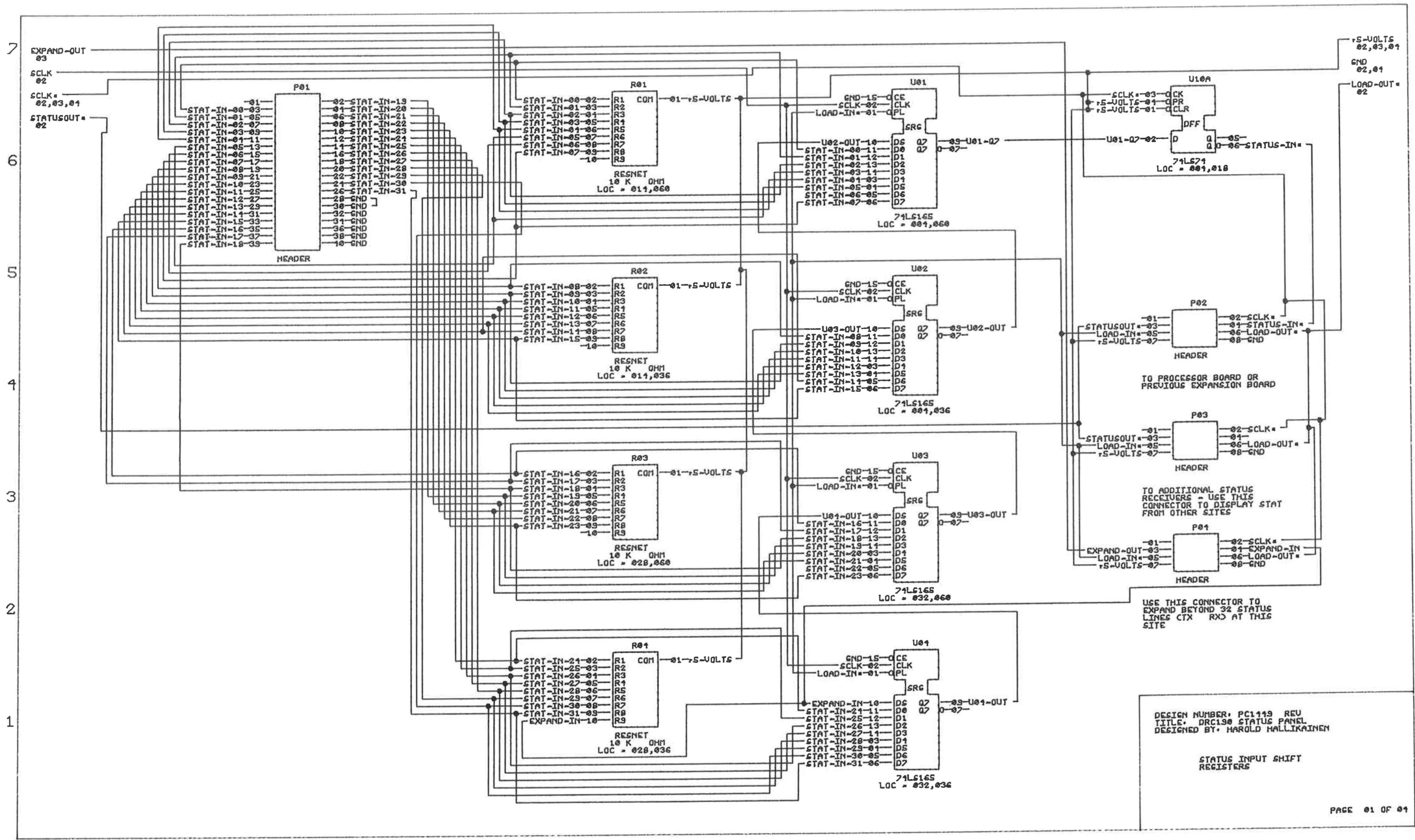
POWER SUPPLY INTERFACE
 UPS INTERFACE
 BATTERY CHARGER
 UNDERVOLTAGE SHUTDOWN

A B C D E F G H I J K L M N O P



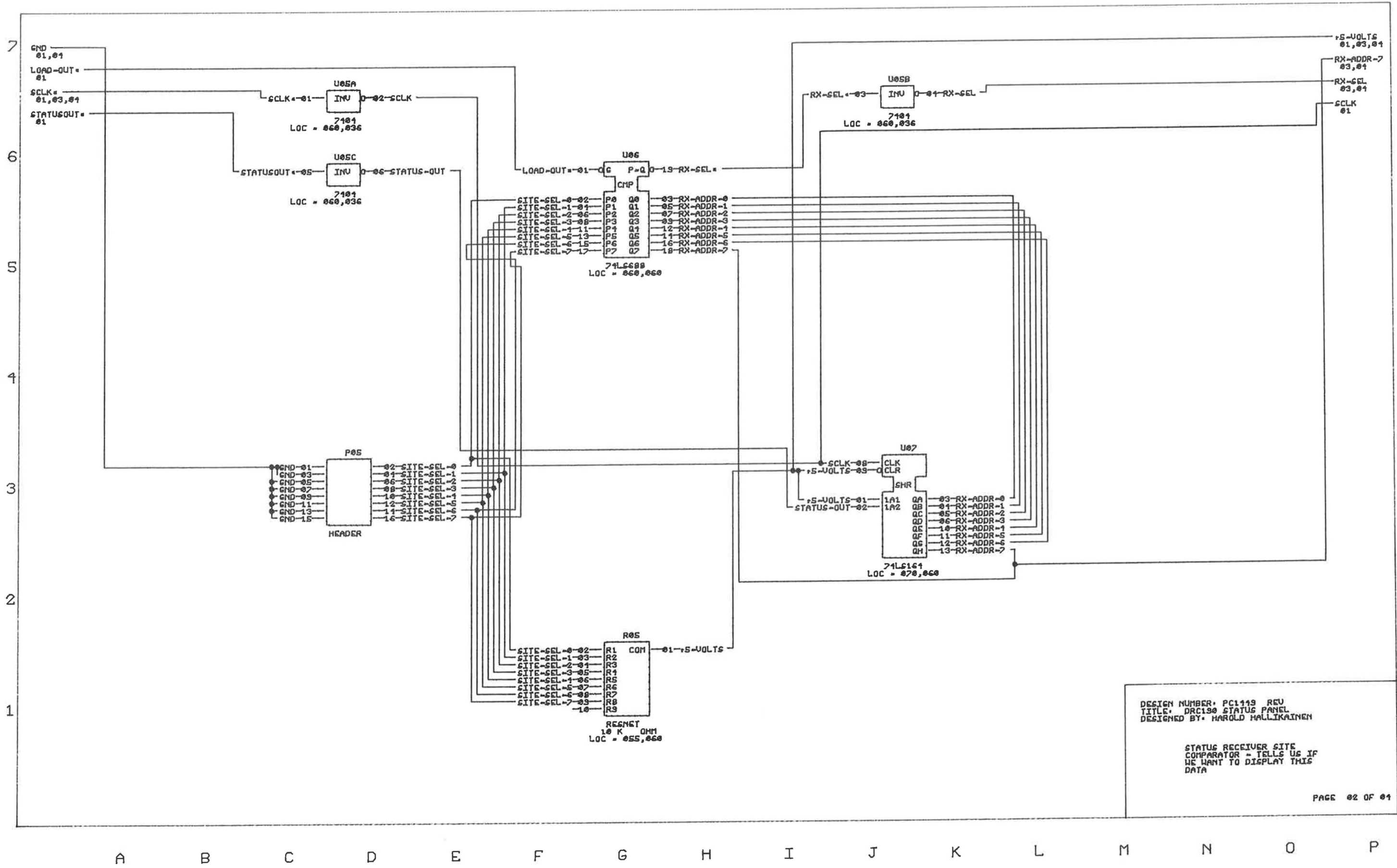
DESIGN NUMBER: PC1113 REV C
 TITLE: DRC PS, DISC STAT INTFC
 DESIGNED BY: HAROLD HALLIKAINEN

DISC DRIVE AND STATUS
 PANEL SERIAL INTERFACES



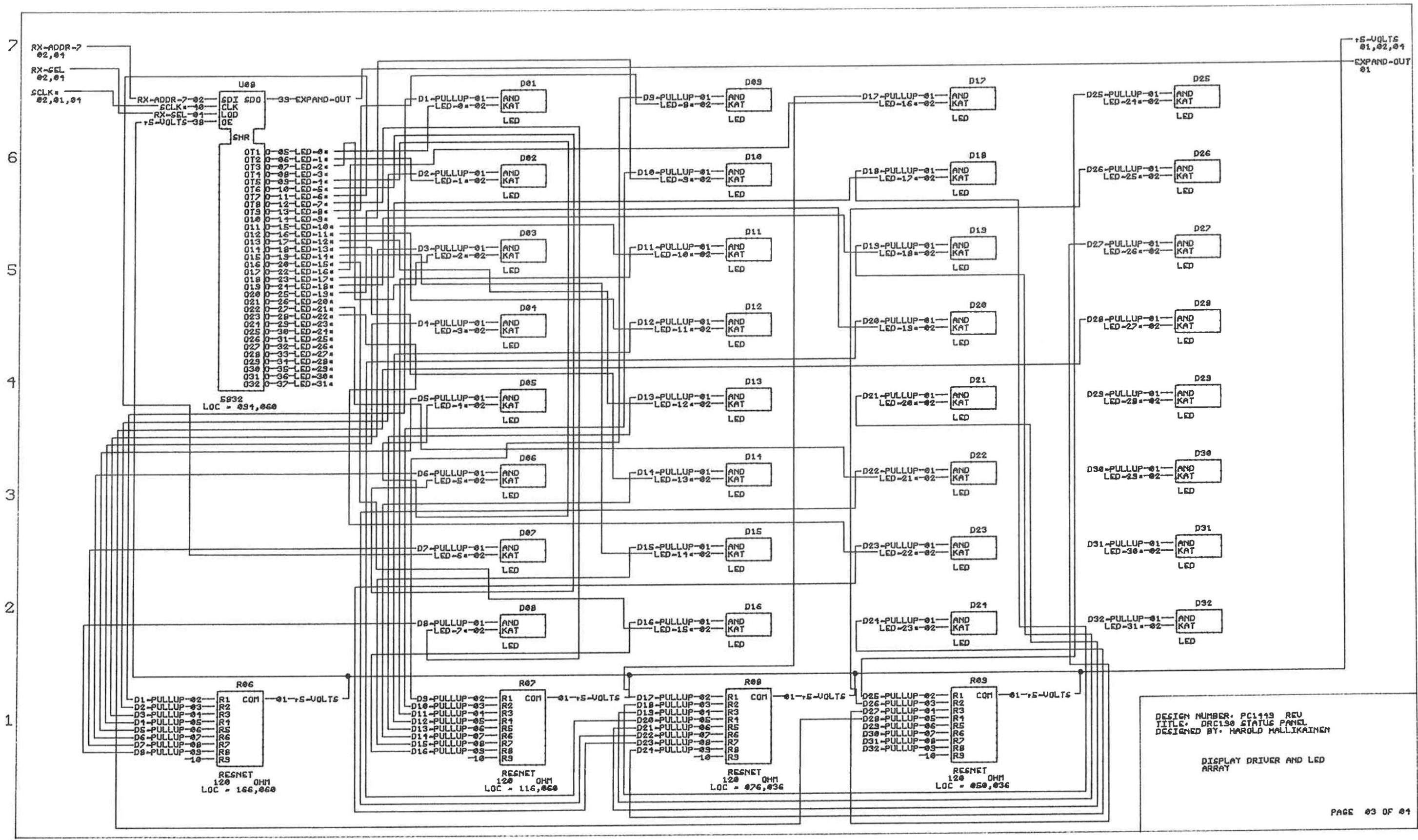
DESIGN NUMBER: PC1149 REV
 TITLE: DRC190 STATUS PANEL
 DESIGNED BY: HAROLD HALLIKAINEN

STATUS INPUT SHIFT
 REGISTERS



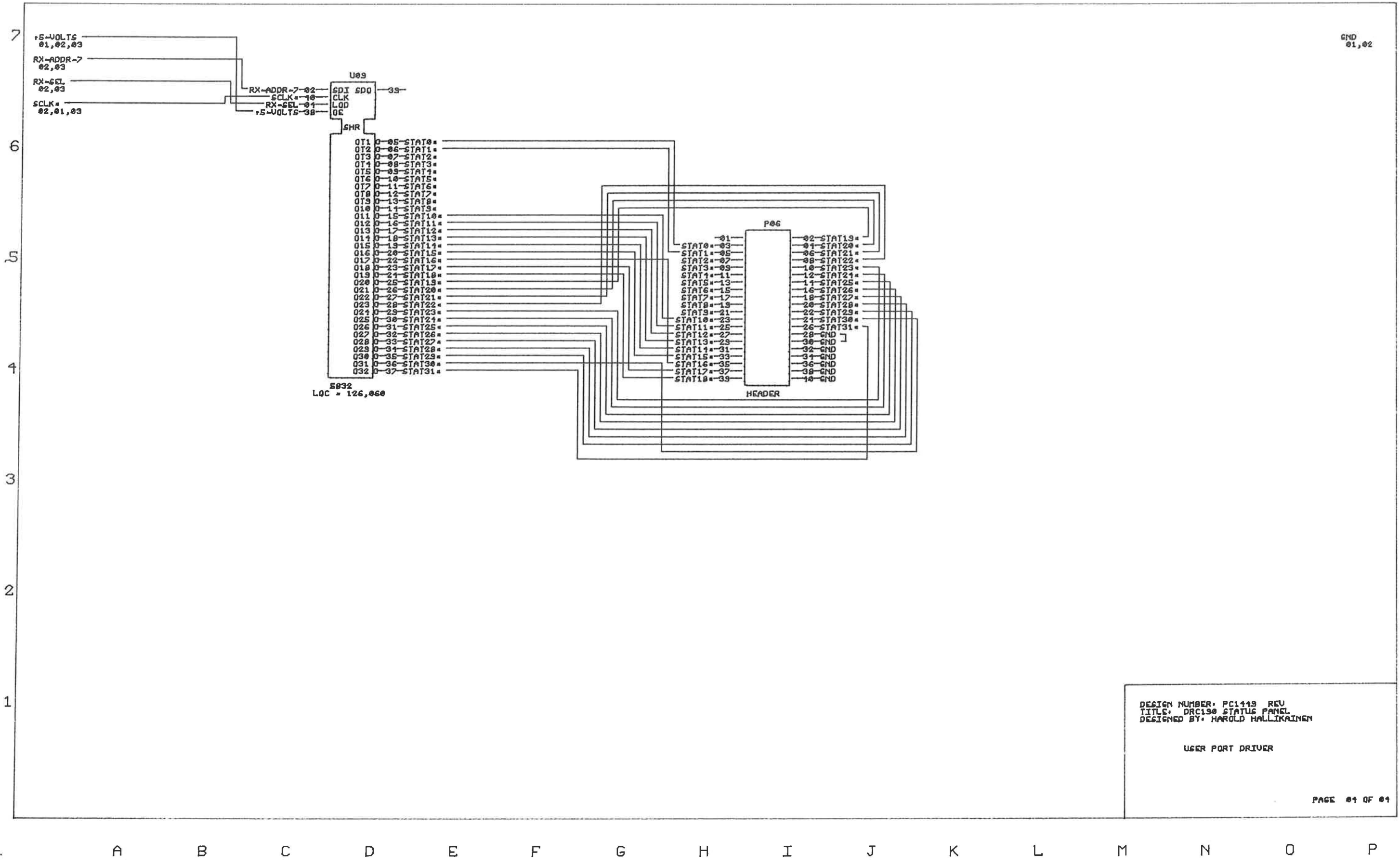
DESIGN NUMBER: PC1143 REV
 TITLE: DRC130 STATUS PANEL
 DESIGNED BY: HAROLD HALLIKAINEN

STATUS RECEIVER SITE
 COMPARATOR - TELLS US IF
 WE WANT TO DISPLAY THIS
 DATA



DESIGN NUMBER: PC1449 REV
 TITLE: DRC190 STATUS PANEL
 DESIGNED BY: HAROLD HALLIKAINEN

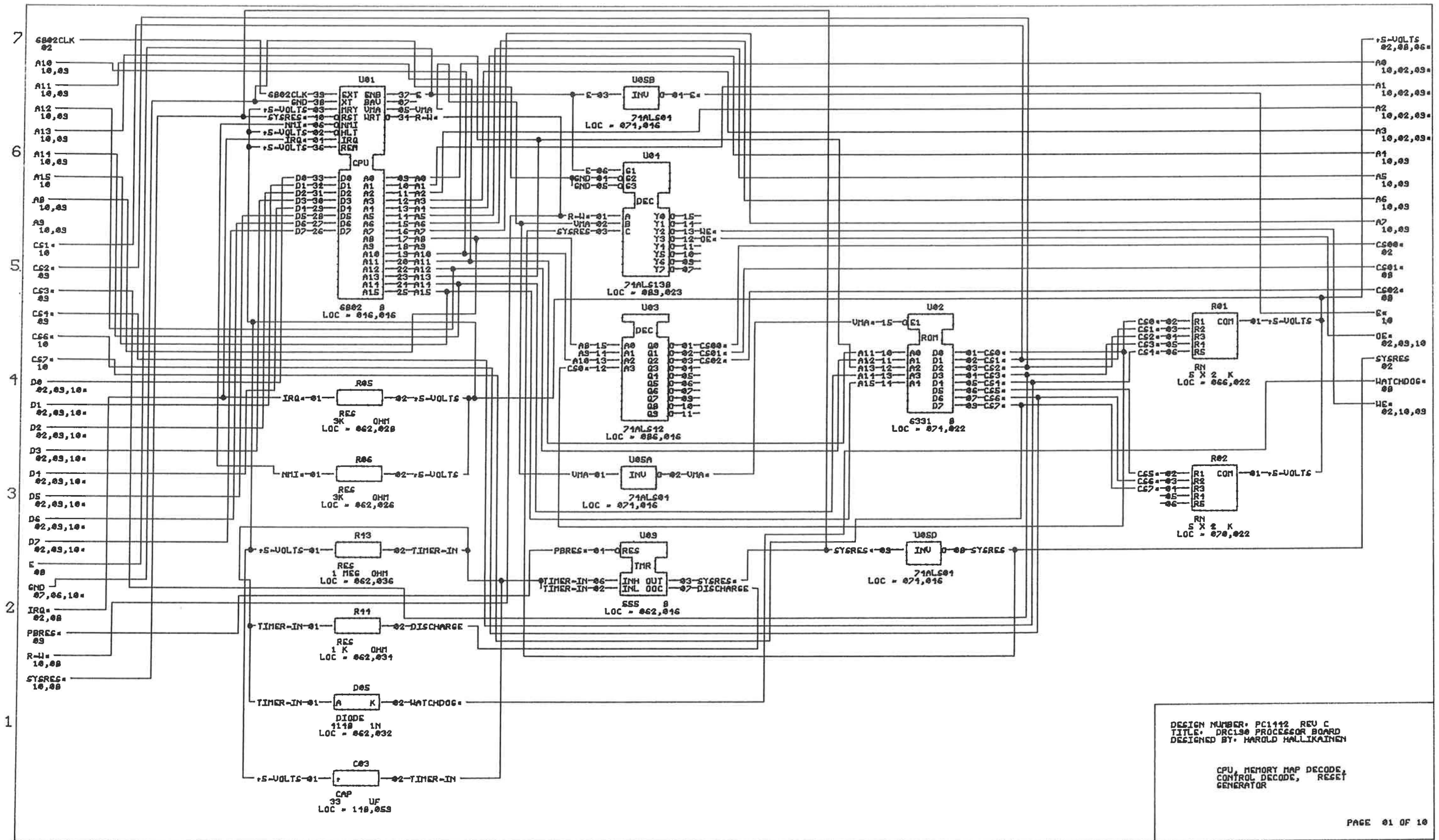
DISPLAY DRIVER AND LED
 ARRAY



DESIGN NUMBER: PC1149 REV
 TITLE: DRCL90 STATUS PANEL
 DESIGNED BY: HAROLD HALLIKAINEN

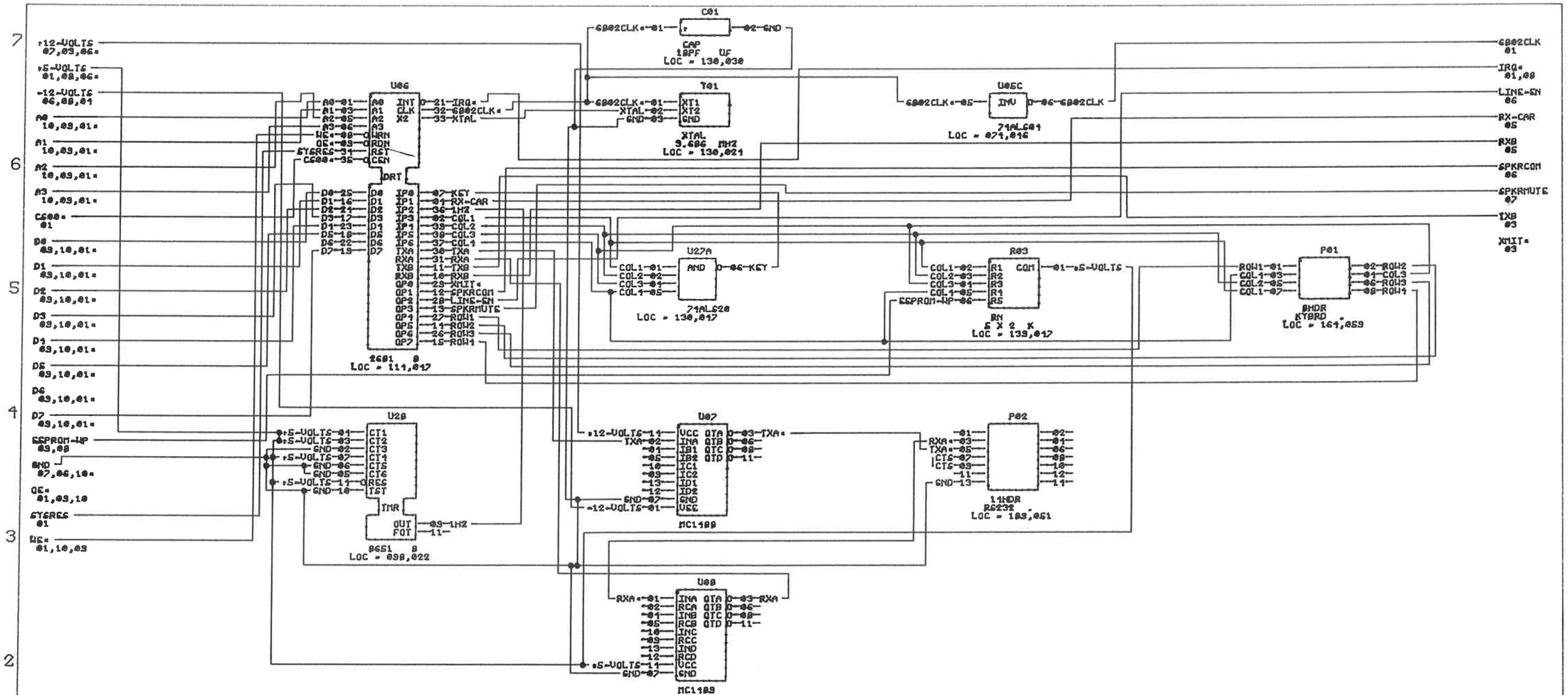
USER PORT DRIVER

PAGE 01 OF 01



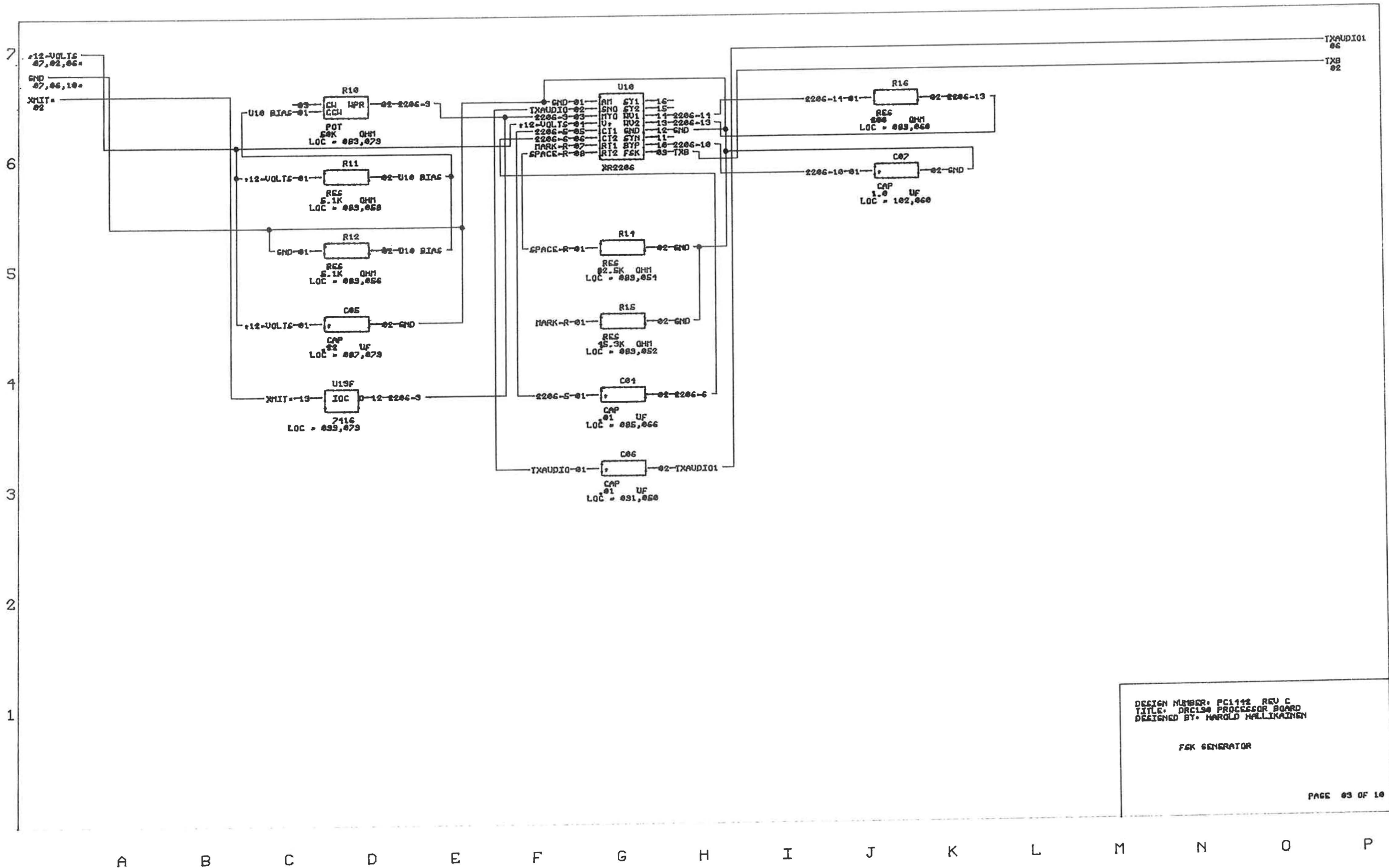
DESIGN NUMBER: PC1112 REV C
 TITLE: DRCL90 PROCESSOR BOARD
 DESIGNED BY: HAROLD HALLIKAINEN

CPU, MEMORY MAP DECODE,
 CONTROL DECODE, RESET
 GENERATOR



DESIGN NUMBER: PC1112 REV C
 TITLE: DRC190 PROCESSOR BOARD
 DESIGNED BY: HAROLD HALLIKAINEN

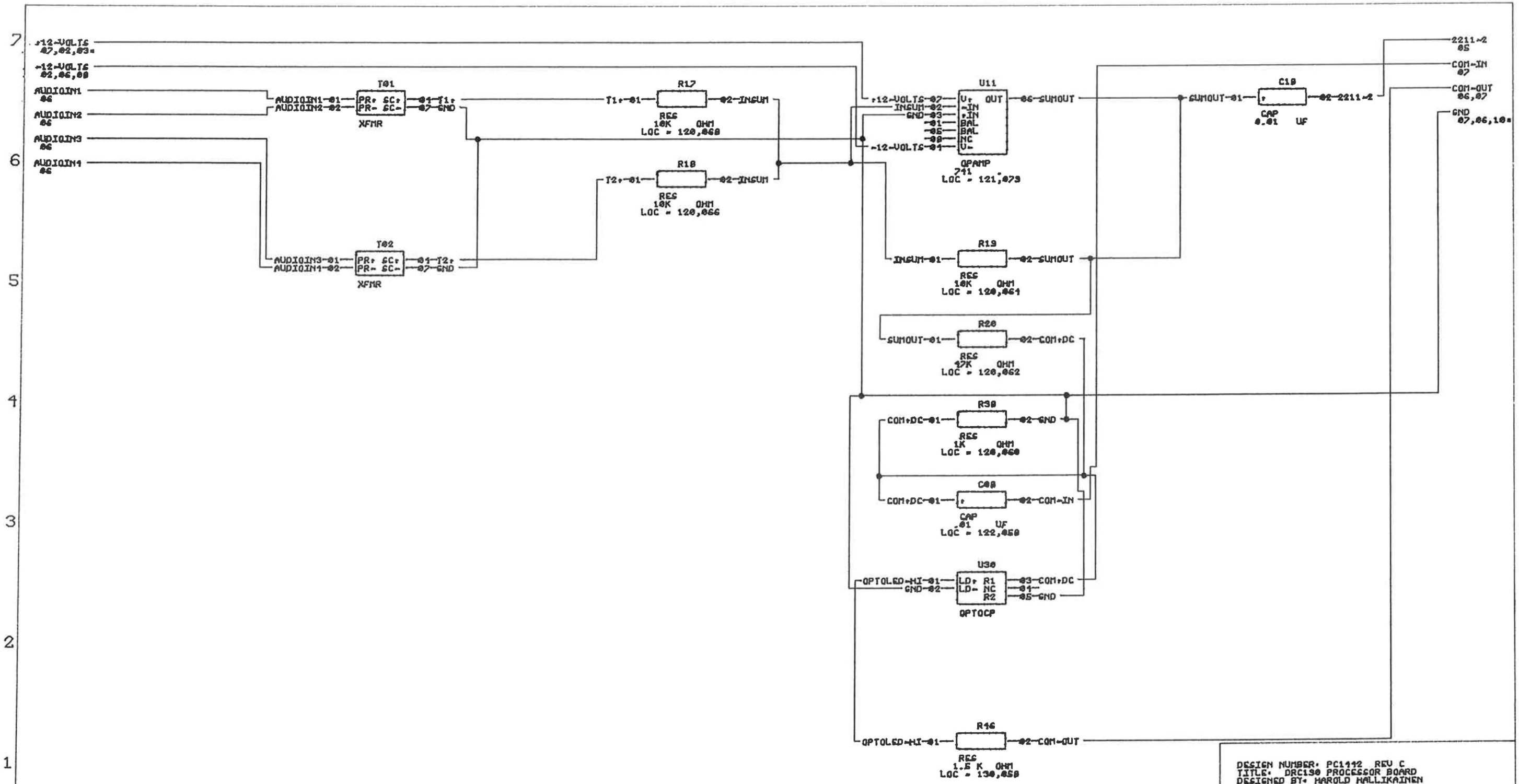
DUART, SYS CLOCK, KBD
 AND R6232 INTERFACE,
 REAL TIME CLOCK.



DESIGN NUMBER: PC1112 REV C
 TITLE: DRG130 PROCESSOR BOARD
 DESIGNED BY: HAROLD MALLIKAINEN

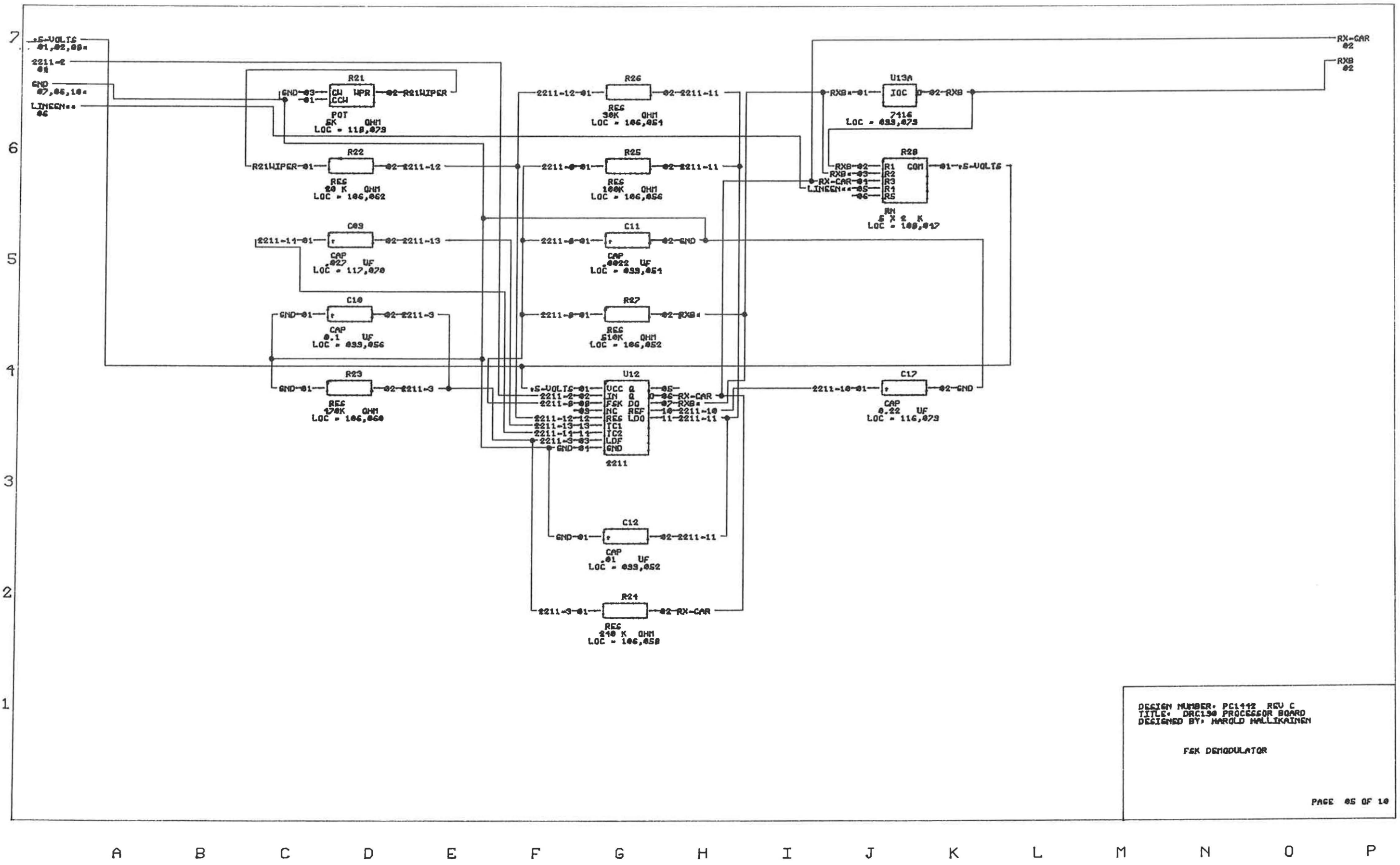
FSK GENERATOR

PAGE 03 OF 10



DESIGN NUMBER: PC1112 REV C
 TITLE: DRC190 PROCESSOR BOARD
 DESIGNED BY: HAROLD HALLIKAINEN

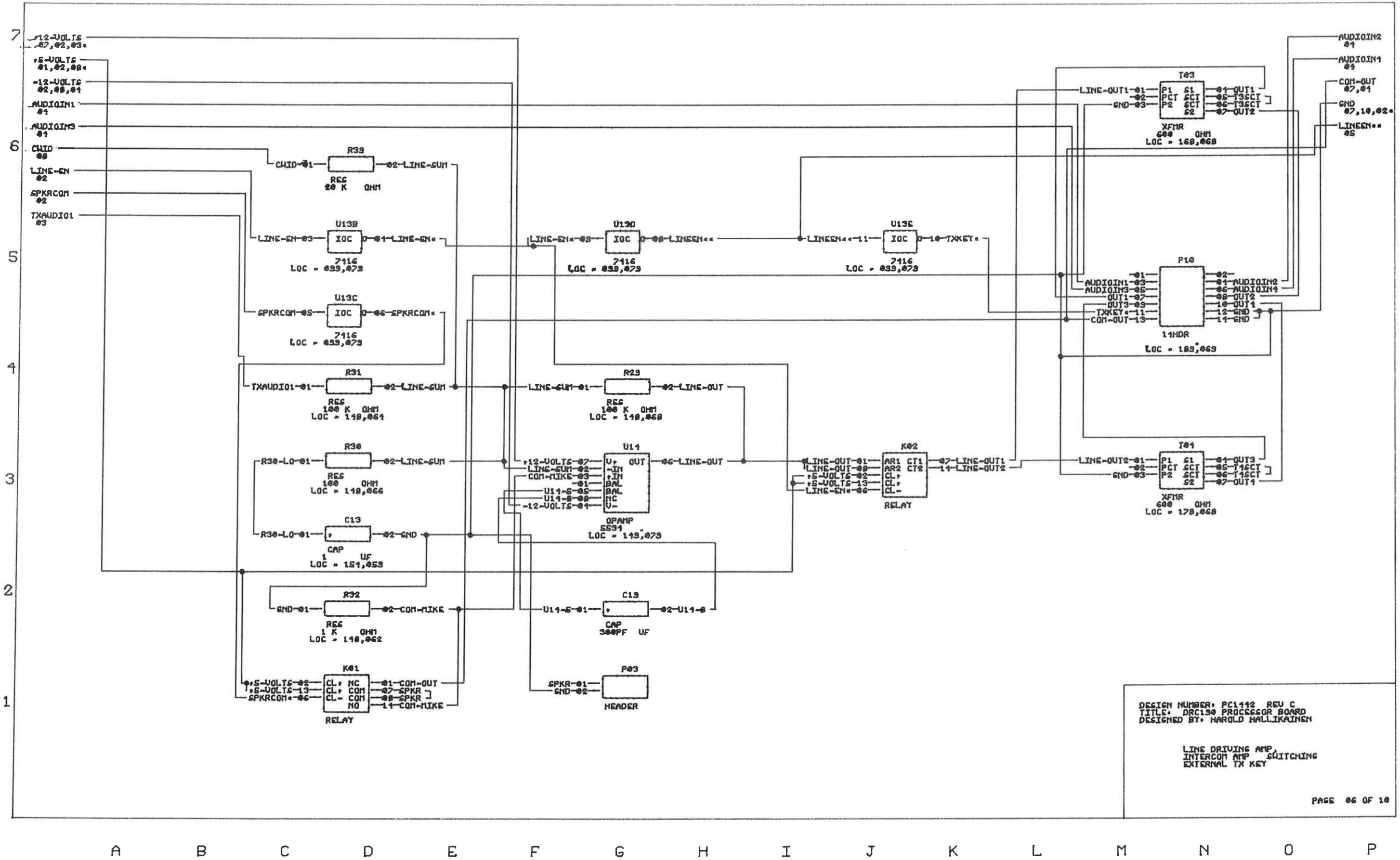
INPUT SUMMING AMPLIFIER



DESIGN NUMBER: PC1442 REV C
 TITLE: DRCL50 PROCESSOR BOARD
 DESIGNED BY: HAROLD MALLIKAINEN

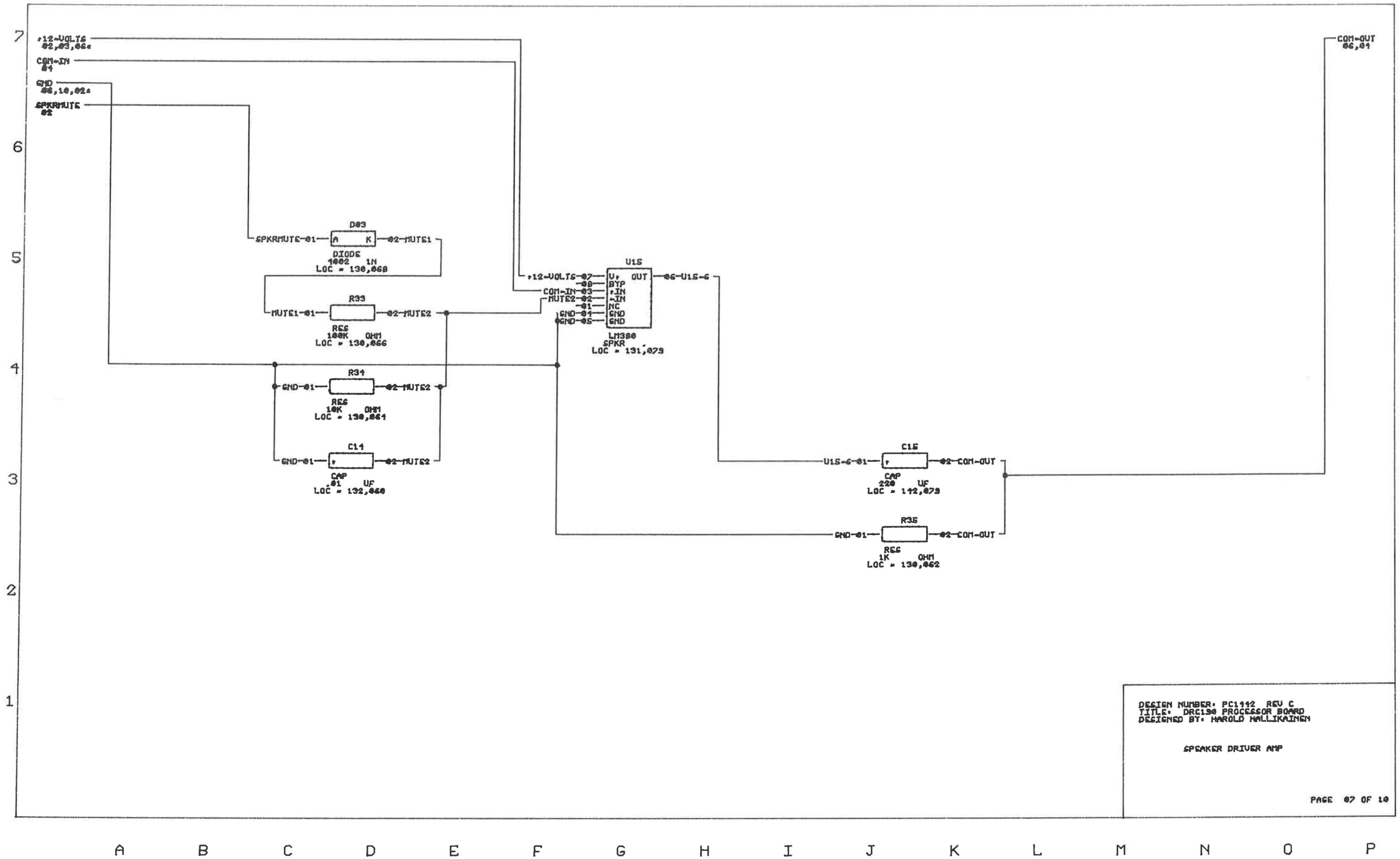
FSK DEMODULATOR

PAGE 05 OF 10



DESIGN NUMBER: PC1112 REV C
 TITLE: DRC130 PROCESSOR BOARD
 DESIGNED BY: HAROLD HALLIKAINEN

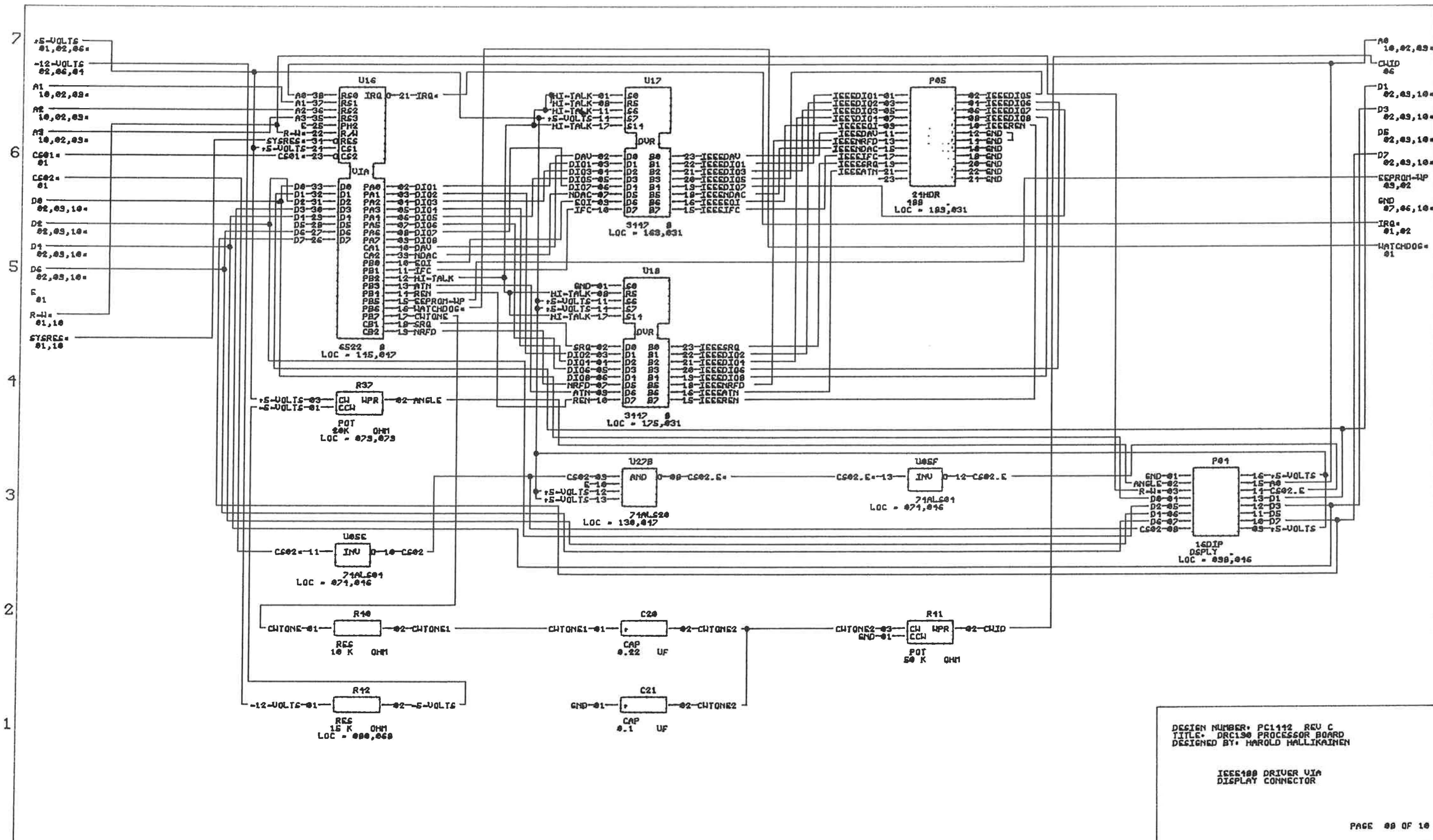
LINE DRIVING AMP
 INTERCOM AMP
 SWITCHING
 EXTERNAL TX KEY



DESIGN NUMBER: PC1142 REV C
 TITLE: DR150 PROCESSOR BOARD
 DESIGNED BY: HAROLD HALLIKAINEN

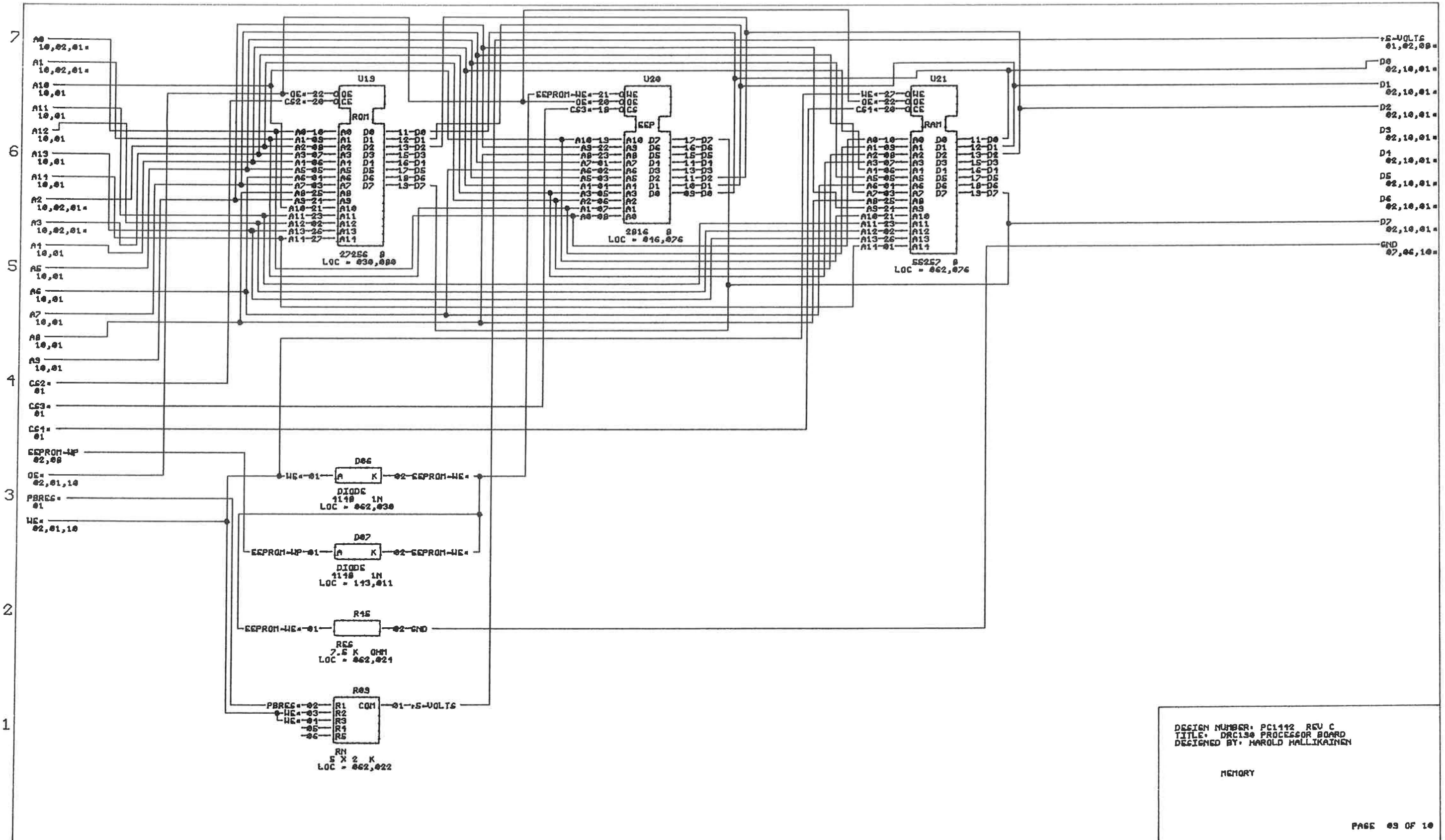
SPEAKER DRIVER AMP

PAGE 07 OF 10



DESIGN NUMBER: PC1112 REV C
 TITLE: DR190 PROCESSOR BOARD
 DESIGNED BY: HAROLD HALLIKAINEN

IEEE100 DRIVER VIA
 DISPLAY CONNECTOR



DESIGN NUMBER: PC1112 REV C
 TITLE: DRCL30 PROCESSOR BOARD
 DESIGNED BY: HAROLD HALLIKAINEN

MEMORY



DESIGN NUMBER: PC1442 REV C
 TITLE: DR150 PROCESSOR BOARD
 DESIGNED BY: HAROLD HALLIKAINEN

STD BUS DRIVERS