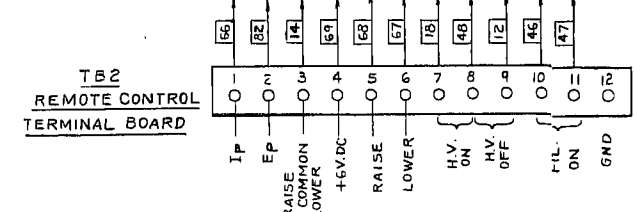
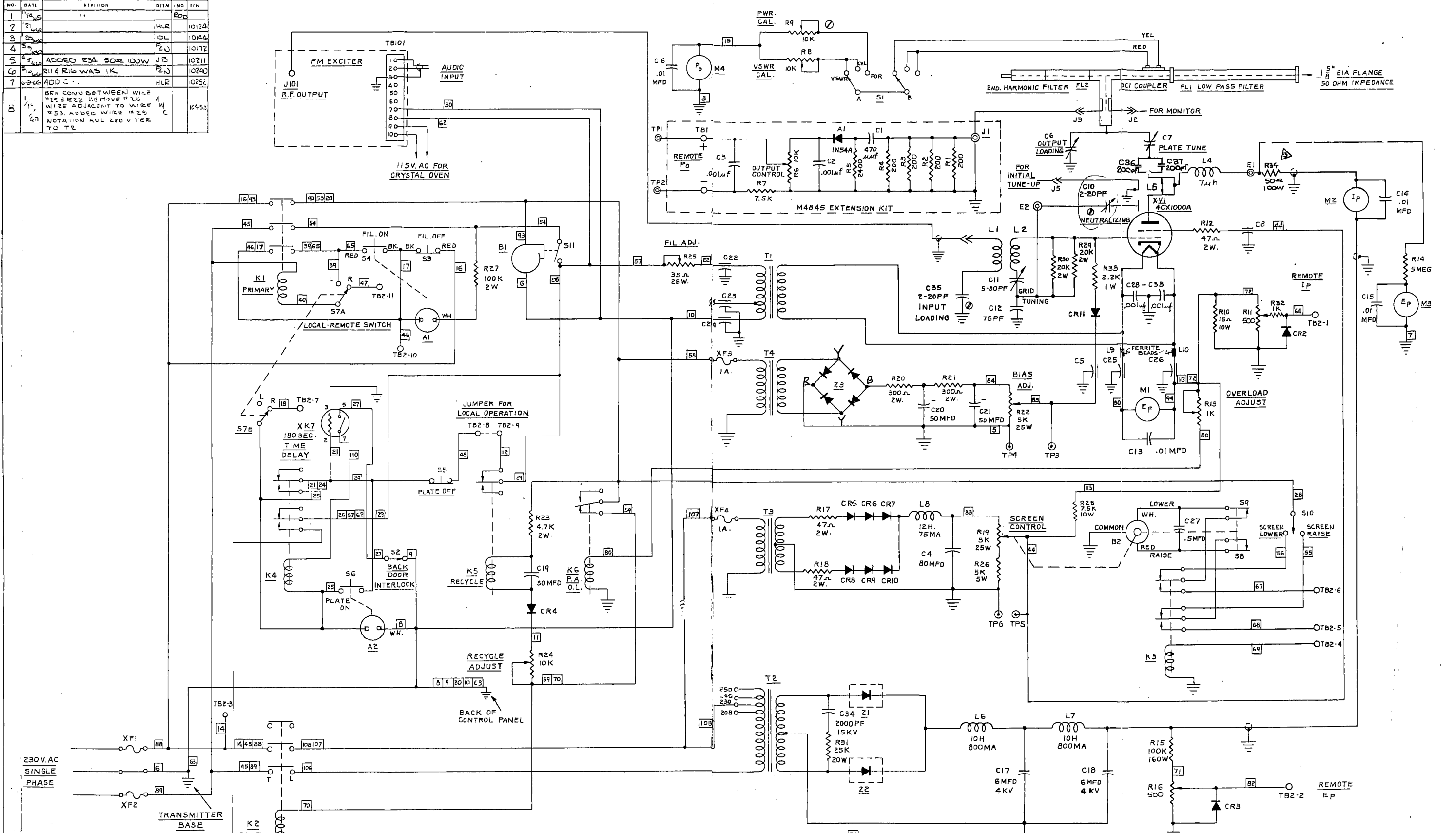


NO.	DATE	REVISION	BY	CHK	EN
1	11/20/55		HLR		10124
2	12/21/55		HLR		10124
3	1/25/56		HLR		10124
4	2/2/56		HLR		10172
5	2/2/56	ADDED R34 50R 100W	JB		10211
6	2/2/56	R11 & R16 WAS 1K	HLR		10240
7	6/23/66	ADD C...	HLR		10256
8	1/15/67	BK CONN BETWEEN WIRE #53 & #25 REMOVE #18 WIRE ADJACENT TO WIRE #53. ADDED WIRE #25 NOTATION ADD 250 V TER TO T2	HLR		10453



1. THE ABOVE INDICATES A WIRE NUMBER
  2. TB2-8 INDICATES A TERMINAL BOARD NUMBER.
  3. RESISTANCE VALUES IN OHMS
  4. ALL RELAYS SHOWN IN DEENERGIZED POSITION
- TB1 REMOTE RF UNIT M4845 (FRONT PANEL)  
 TB2 REMOTE CONTROL (FRONT PANEL)  
 TB101 FM EXCITER

**TITLE OVERALL SCHEMATIC FMIG TRANSMITTER**  
 M6485  
**GATES RADIO COMPANY**  
 QUINCY, ILLINOIS  
 DR. BY DL CH. BY ENG. DATE: 1-15-65 DWG. NO. 842-4577-001