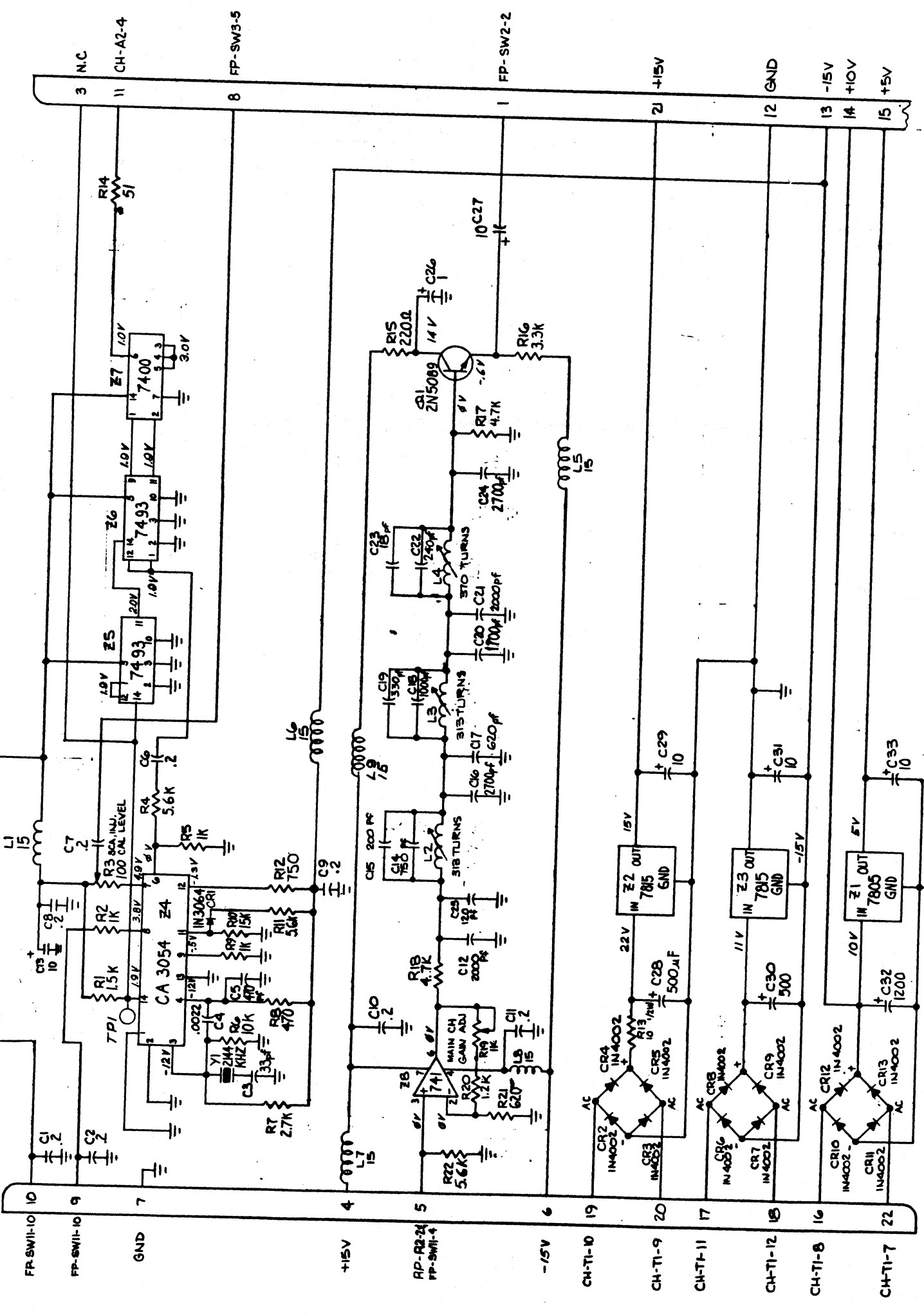


REV.	DESCRIPTION	DATE
A	RELEASED TO PRODUCTION	1-6-55
B	REVISED PER ECO # 282	1-6-55
C	REVISED PER ECO 342	1-6-55
D	REVISED PER ECO 466	1-6-55



NOTE: IN CASE OF OTHERWISE SPECIFIED, (1) 1. RESISTOR - VALUES IN OHMS UNLESS OTHERWISE SPECIFIED.  
 2. CAPACITOR - VALUES IN P.F. UNLESS OTHERWISE SPECIFIED.  
 3. INDUCTOR - VALUES IN MILLIHENRIES UNLESS OTHERWISE SPECIFIED.  
 4. FACTOR - VALUES IN PARENTHESES.  
 5. VOLTAGE - ARE TYPICAL VALUES.  
 6. D.C. VOLTAGE LEVELS ARE TYPICAL FOR INSTRUMENT IN SCA MOD CAL MODE.

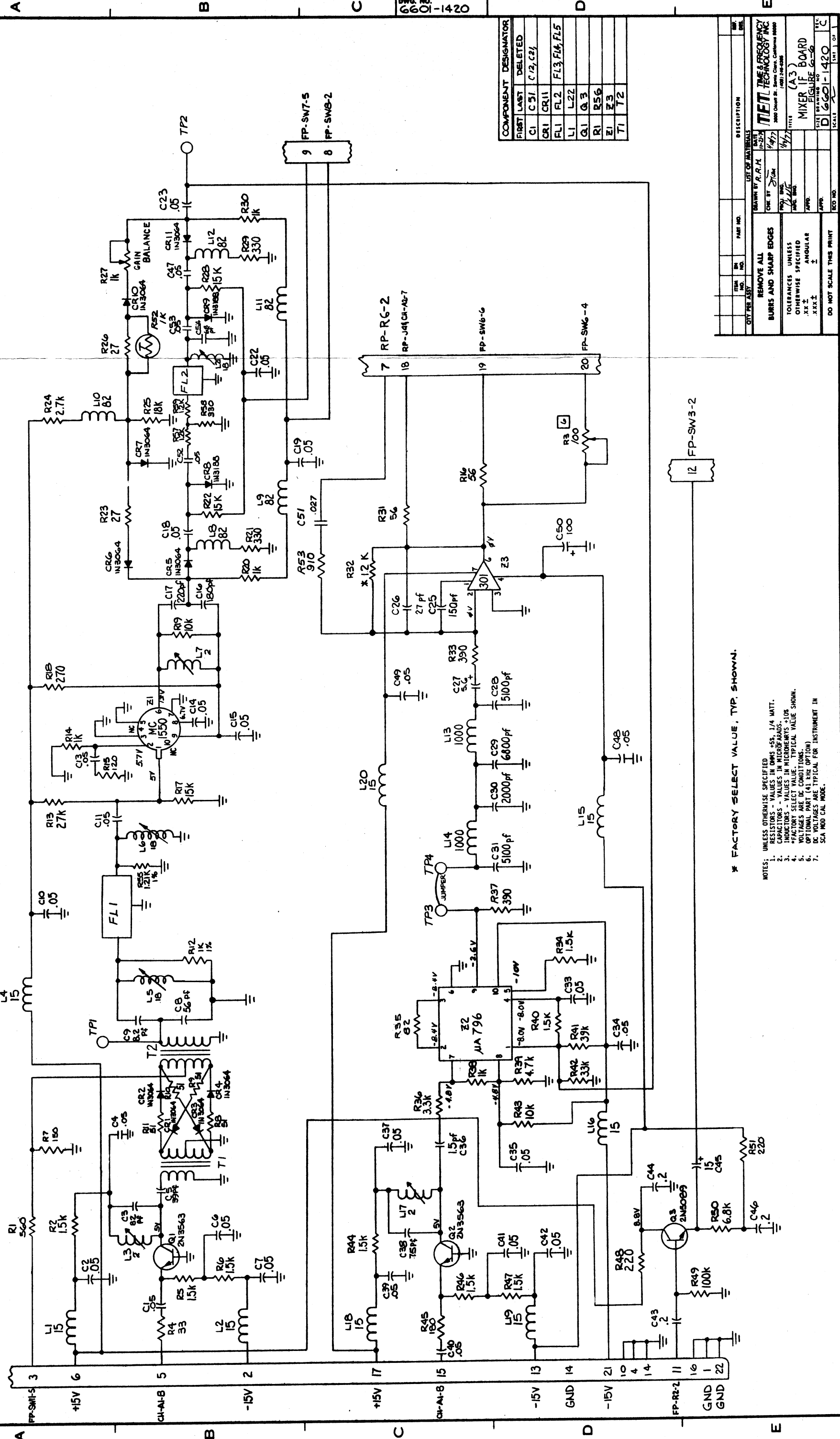
COMPONENT DESIGNATOR	VALUE
FIRST	LAST DELETED
C1	C33
CR1	CR13
L1	L9
Q1	Q1
R1	R22
Y1	Y1
Z1	Z8

REV.	DESCRIPTION	DATE
A	RELEASED TO PRODUCTION	1-6-55
B	REVISED PER ECO # 282	1-6-55
C	REVISED PER ECO 342	1-6-55
D	REVISED PER ECO 466	1-6-55

NET TIME & FREQUENCY TECHNOLOGY, INC.  
 3000 Orchard St., Santa Clara, California 95050  
 PHONE (415) 851-8000  
**POWER SUPPLY (A4)**  
**MAIN CH. AMPLIFIER**  
**FIGURE 6-7**  
 D 6601-1390 (1 of 1)



REV	DATE	DESCRIPTION	BY	CHKD	AUTH
1	7-6-78	RELEASED TO PROD. PER ECO 242			
2	7-16-78	REVISED PER ECO 342			
3	8-22-78	REV PER ECO 400			



COMPONENT	DESIGNATOR
FIRST	LAST
C1	C51
CR1	CR11
FL1	FL2
L1	L22
Q1	Q3
R1	R56
Z1	Z3
T1	T2

REV	DATE	DESCRIPTION	BY	CHKD	AUTH
1	7-6-78	RELEASED TO PROD. PER ECO 242			
2	7-16-78	REVISED PER ECO 342			
3	8-22-78	REV PER ECO 400			

\* FACTORY SELECT VALUE, TYP. SHOWN.

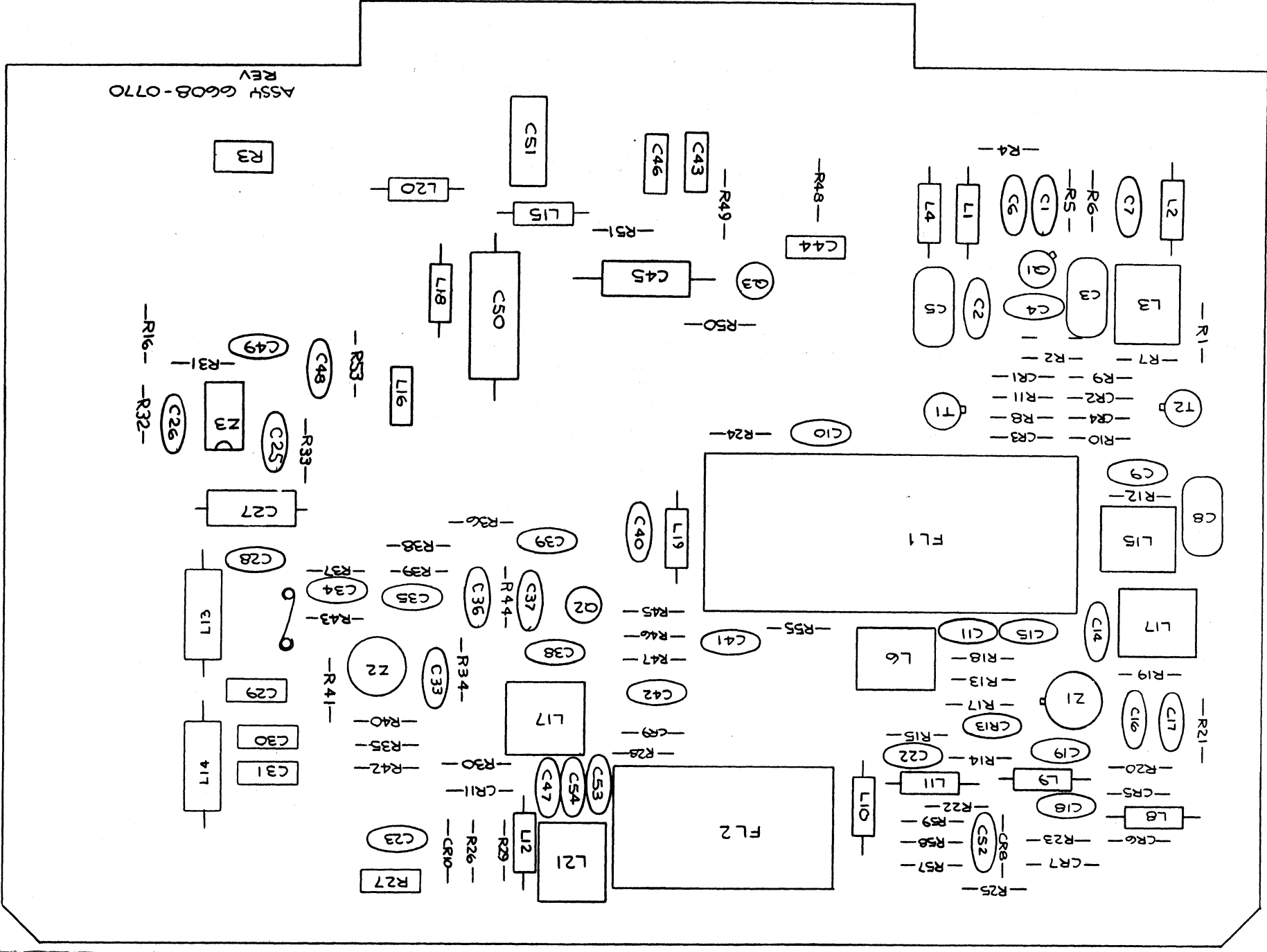
- 1. UNLESS OTHERWISE SPECIFIED RESISTORS - VALUES IN OHMS
- 2. CAPACITORS - VALUES IN MICROSECONDS
- 3. INDUCTORS - VALUES IN MICROHENS
- 4. \*FACTORY SELECT VALUE. TYPICAL VALUE SHOWN.
- 5. VOLTAGES ARE DC CONDITIONS.
- 6. OPTIONAL PART (41 KHZ OPTION)
- 7. DC VOLTAGES ARE TYPICAL FOR INSTRUMENT IN SCA MOD CAL MODE.

Ckt. Ref.	Description	TFT Stock No.
C1	Cap Cer Disc .05 Mfd	1005-5039
C2	Cap Cer Disc .05 Mfd	1005-5039
C3	Cap Mica 82 PF	1001-0820
C4	Cap Cer Disc .05 Mfd	1005-5039
C5	Cap Cer Disc .05 Mfd	1005-5039
C6	Cap Cer Disc .05 Mfd	1005-5039
C7	Cap Cer Disc .05 Mfd	1005-5039
C8	Cap Cer Disc .05 Mfd	1005-5039
C9	Cap Mica 39 PF	1001-0860
C10	Cap Cer Disc .05 Mfd	1005-5039
C11	Cap Cer Disc .05 Mfd	1005-5039
C12	Cap Cer Disc .05 Mfd	1005-5039
C13	Cap Cer Disc .05 Mfd	1005-5039
C14	Cap Cer Disc .05 Mfd	1005-5039
C15	Cap Cer Disc .05 Mfd	1005-5039
C16	Cap Mica 180 PF	1001-0181
C17	Cap Mica 220 PF	1001-0221
C18	Cap Cer Disc .05 Mfd	1005-5039
C19	Cap Cer Disc .05 Mfd	1005-5039
C20	Cap Cer Disc .05 Mfd	1005-5039
C21	Cap Cer Disc .05 Mfd	1005-5039
C22	Cap Cer Disc .05 Mfd	1005-5039
C23	Cap Cer Disc .05 Mfd	1005-5039
C24	Cap Mica 150 PF	1001-0151
C25	Cap Mica 27 PF	1001-0270
C26	Cap Tan 5.6 Mfd 35V 10%	1008-0056
C27	Cap Mica 5100 PF	1001-0512
C28	Cap Mica 6800 PF	1001-0682
C29	Cap Mica 2000 PF	1001-0202
C30	Cap Mica 5100 PF	1001-0512
C31	Cap Cer Disc .05 Mfd	1005-5039
C32	Cap Cer Disc .05 Mfd	1005-5039
C33	Cap Cer Disc .05 Mfd	1005-5039
C34	Cap Cer Disc .05 Mfd	1005-5039
C35	Cap Cer Disc .05 Mfd	1005-5039
C36	Cap Tan 1.5 PF	1000-0012
C37	Cap Cer Disc .05 Mfd	1005-5039
C38	Cap Mica 75 PF	1001-0750
C39	Cap Cer Disc .05 Mfd	1005-5039
C40	Cap Cer Disc .05 Mfd	1005-5039
C41	Cap Cer Disc .05 Mfd	1005-5039
C42	Cap Cer Disc .05 Mfd	1005-5039
C43	Cap Cer Disc .2 Mfd	1005-2029
C44	Cap Cer Disc .2 Mfd	1005-2029
C45	Cap Elect 15 Mfd 25V	1010-0150
C46	Cap Cer Disc .2 Mfd	1005-2029
C47	Cap Cer Disc .05 Mfd	1005-5039

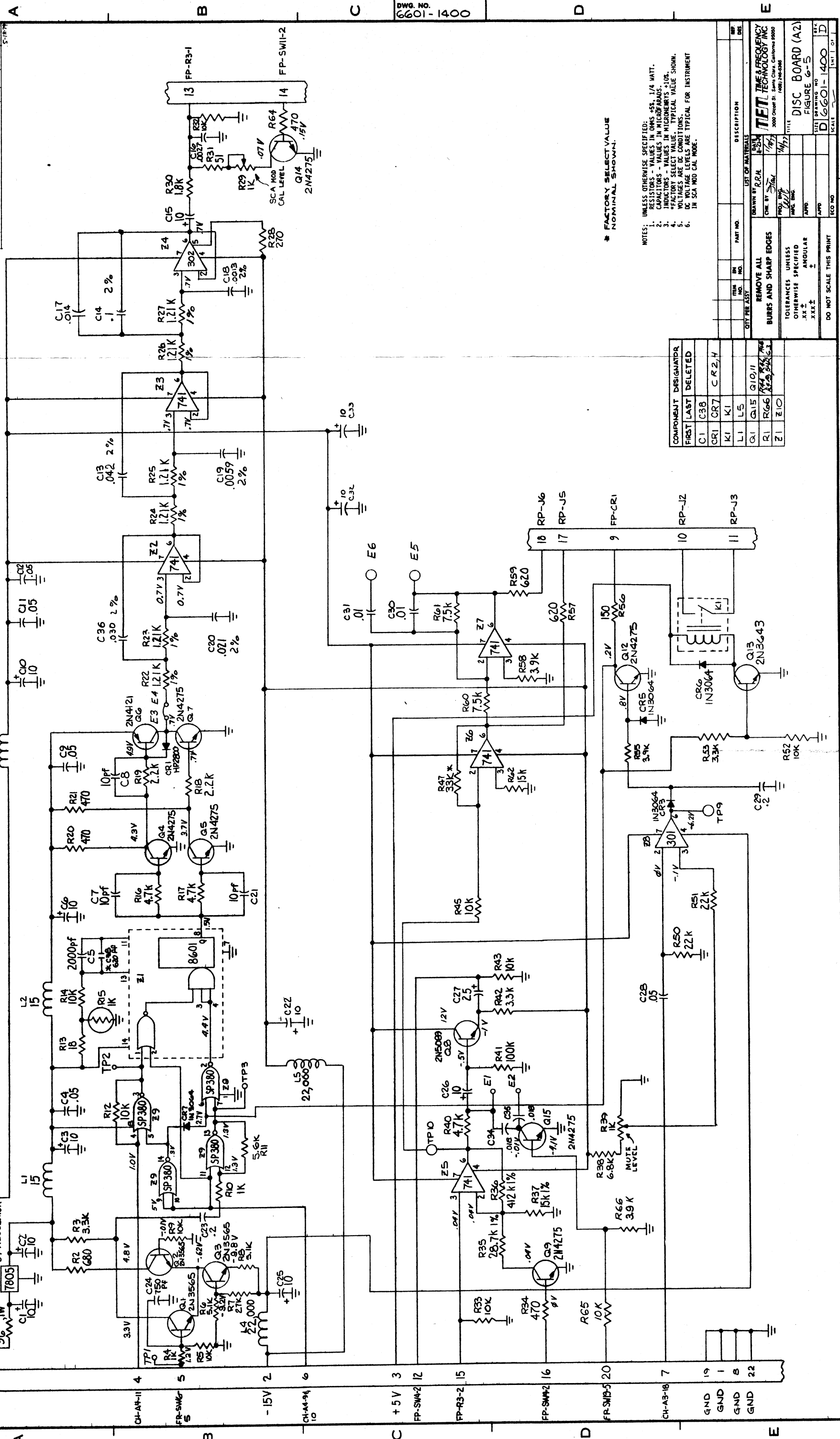
Ckt. Ref.	Description	TFT Stock No.
Q1	Xistor 2K3563	1271-3563
Q2	Xistor 2K3563	1271-3563
Q3	Res Car Comp 1/4W 5% 560	1065-5089
R1	Res Car Comp 1/4W 5% 1.5K	1065-0560
R2	Pot PC Mt 100 1K	1072-1000
R3	Res Car Comp 1/4W 5% 1.5K	1065-1501
R4	Res Car Comp 1/4W 5% 1.5K	1065-1501
R5	Res Car Comp 1/4W 5% 1.5K	1065-1501
R6	Res Car Comp 1/4W 5% 1.5K	1065-1501
R7	Res Car Comp 1/4W 5% 1.5K	1065-1501
R8	Res Car Comp 1/4W 5% 1.5K	1065-1501
R9	Res Car Comp 1/4W 5% 1.5K	1065-1501
R10	Res Car Comp 1/4W 5% 1.5K	1065-1501
R11	Res Car Comp 1/4W 5% 1.5K	1065-1501
R12	Res Car Comp 1/4W 5% 1.5K	1065-1501
R13	Res Car Comp 1/4W 5% 27K	1065-2702
R14	Res Car Comp 1/4W 5% 1K	1065-1001
R15	Res Car Comp 1/4W 5% 120	1065-0120
R16	Res Car Comp 1/4W 5% 56	1065-0056
R17	Res Car Comp 1/4W 5% 15K	1065-1502
R18	Res Car Comp 1/4W 5% 270	1065-0270
R19	Res Car Comp 1/4W 5% 10K	1065-1001
R20	Res Car Comp 1/4W 5% 1K	1065-1001
R21	Res Car Comp 1/4W 5% 330	1065-0330
R22	Res Car Comp 1/4W 5% 15K	1065-1502
R23	Res Car Comp 1/4W 5% 7.7K	1062-0777
R24	Res Car Comp 1/4W 5% 18K	1065-1802
R25	Pot PC Mt 1K	1072-1001
R26	Res Car Comp 1/4W 5% 15K	1065-1502
R27	Res Car Comp 1/4W 5% 330	1065-0330
R28	Res Car Comp 1/4W 5% 1K	1065-1001
R29	Res Car Comp 1/4W 5% 56	1065-0056
R30	Res Car Comp 1/4W 5% 12K	1065-1202
R31	Res Car Comp 1/4W 5% 390	1065-0390
R32	Res Car Comp 1/4W 5% 1.5K	1065-1501
R33	Res Car Comp 1/4W 5% 82	1065-0082
R34	Res Car Comp 1/4W 5% 3.3K	1065-3301
R35	Res Car Comp 1/4W 5% 390	1065-0390
R36	Res Car Comp 1/4W 5% 1K	1065-1001
R37	Res Car Comp 1/4W 5% 1.5K	1065-1501
R38	Res Car Comp 1/4W 5% 4.7K	1065-4701
R39	Res Car Comp 1/4W 5% 1.5K	1065-1501
R40	Res Car Comp 1/4W 5% 1.5K	1065-1501
R41	Res Car Comp 1/4W 5% 39K	1065-3901

Ckt. Ref.	Description	TFT Stock No.
C48	Cap Cer Disc .05 Mfd	1005-5039
C49	Cap Cer Disc .05 Mfd	1005-5039
C50	Cap Elect 100 Mfd 16V	1010-0101
C51	Cap Poly .027 Mfd 100V	1002-0271
C52	Cap Cer Disc .05 Mfd	1005-5039
C53	Cap Cer Disc .05 Mfd	1005-5039
C54	Cap Cer Disc .05 Mfd	1005-5039
C55	Cap Tan 5.6 Mfd 35V 10%	1008-0056
C56	Dio 1N3064	1281-3064
C57	Dio 1N3064	1281-3064
C58	Dio 1N3064	1281-3064
C59	Dio 1N3064	1281-3064
C60	Dio 1N3064	1281-3064
C61	Dio 1N3064	1281-3064
C62	Dio 1N3064	1281-3064
C63	Dio 1N3064	1281-3064
C64	Dio 1N3064	1281-3064
C65	Dio 1N3188	1285-3188
C66	Dio 1N3188	1285-3188
C67	Dio 1N3064	1281-3064
C68	Dio 1N3064	1281-3064
C69	Filter 10.7 MHz/20kHz BM	1052-0051
C70	Choke R F 15 UH	1530-0150
C71	Choke R F 15 UH	1530-0150
C72	M/L Ind Var 42T	1550-0016
C73	Choke R F 15 UH	1530-0150
C74	M/L Ind Var 42T	1550-0016
C75	M/L Ind Var 42T	1550-0016
C76	Choke RF 82 UH	1530-0820
C77	Choke RF 82 UH	1530-0820
C78	Choke RF 82 UH	1530-0820
C79	Choke RF 82 UH	1530-0820
C80	Choke RF 82 UH	1530-0820
C81	Choke RF 1000UH	1530-1020
C82	Choke RF 1000UH	1530-1020
C83	Choke RF 15UH	1530-0150
C84	Choke RF 15UH	1530-0150
C85	M/L Ind Var 16T	1550-0016
C86	Choke RF 15UH	1530-0150
C87	Choke RF 15UH	1530-0150
C88	M/L Ind Var 42T	1550-0016
C89	M/L Ind Var 42T	1550-0016

Ckt. Ref.	Description	TFT Stock No.
R42	Res Car Comp 1/4W 5% 33K	1065-3302
R43	Res Car Comp 1/4W 5% 10K	1065-1002
R44	Res Car Comp 1/4W 5% 1.5K	1065-1501
R45	Res Car Comp 1/4W 5% 180	1065-0180
R46	Res Car Comp 1/4W 5% 1.5K	1065-1501
R47	Res Car Comp 1/4W 5% 1.5K	1065-1501
R48	Res Car Comp 1/4W 5% 220	1065-0220
R49	Res Car Comp 1/4W 5% 100K	1065-1003
R50	Res Car Comp 1/4W 5% 6.8K	1065-6801
R51	Res Car Comp 1/4W 5% 220	1065-0220
R52	Thermistor 1K	1080-0013
R53	Res Car Comp 1/4W 5% 910	1065-0910
R54	Res Me Fil 1/8W 1% 1.21K	1061-1211
R55	Res Car Comp 1/4W 5% 1.2K	1065-1201
R56	Res Car Comp 1/4W 5% 330	1065-0330
R57	Res Car Comp 1/4W 5% 1.2K	1065-1201
R58	W/L Ind-Tri Filter	1501-0001
T1	W/L Ind-Tri Filter	1501-0001
Z1	I/C MC 1550G	1100-1550
Z2	I/C MC1550G	1100-1550
Z3	I/C MC301	1100-0301
Z4	Socket, I/C 8 Pin	2250-1008
Z5	PC Board 730 IF	1600-0770 REVE



NEXT ASSY USED ON		REVISIONS		DATE	
SYM	DESCRIPTION	BY	CHK	DATE	TIME
A	REVISED TO PER ECO # 240			1-1-78	
B	REVISED PER ECO # 240			7-1-78	
C	REVISED PER ECO # 342			7-1-78	
D	REVISED PER ECO # 466			8-7-78	



\* FACTORY SELECT VALUE  
# NOMINAL SHOWN.

NOTES:  
1. UNLESS OTHERWISE SPECIFIED: RESISTORS - VALUES IN OHMS .5%, 1/4 WATT. CAPACITORS - VALUES IN MICROFARADS. INDUCTORS - VALUES IN MICROHENRYS .10%. \*FACTORY SELECT VALUE. TYPICAL VALUE SHOWN. DC VOLTAGE LEVELS ARE TYPICAL FOR INSTRUMENT IN SCA MOD CAL MODE.

LIST OF MATERIALS		DESCRIPTION	
ITEM NO.	IN NO.	PART NO.	DESCRIPTION
REMOVE ALL BURRS AND SHARP EDGES			
TOLERANCES UNLESS OTHERWISE SPECIFIED			
.XX ±			
.XXX ±			
DO NOT SCALE THIS PRINT			

COMPONENT DESIGNATOR	FIRST LAST	DELETED
C1	C38	
C1	CR7	C R 2, H
K1	K1	
L1	L5	
Q1	Q15	Q10, H
R1	RG6	R 4, R 5, R 6, R 7, R 8, R 9, R 10, R 11, R 12, R 13, R 14, R 15, R 16, R 17, R 18, R 19, R 20, R 21, R 22, R 23, R 24, R 25, R 26, R 27, R 28, R 29, R 30, R 31, R 32, R 33, R 34, R 35, R 36, R 37, R 38, R 39, R 40, R 41, R 42, R 43, R 44, R 45, R 46, R 47, R 48, R 49, R 50, R 51, R 52, R 53, R 54, R 55, R 56, R 57, R 58, R 59, R 60, R 61, R 62, R 63, R 64, R 65, R 66
Z1	Z10	

DRAWN BY		DATE		DESCRIPTION	
BY	CHK	DATE	DATE	DESCRIPTION	DATE
R.P.H.		1/1/77			
TITLE					
TIME & FREQUENCY TECHNOLOGY INC.					
3000 Orange St. Santa Clara, California 95050					
TEL: (415) 252-3085					
DISC BOARD (A2)					
FIGURE 6-5					
DRAWING NO. D 6601-1400					
SCALE 1:1					
SHEET 1 OF 1					

8  
7  
6  
5  
4  
3  
2  
1

1  
2  
3  
4  
5  
6  
7  
8