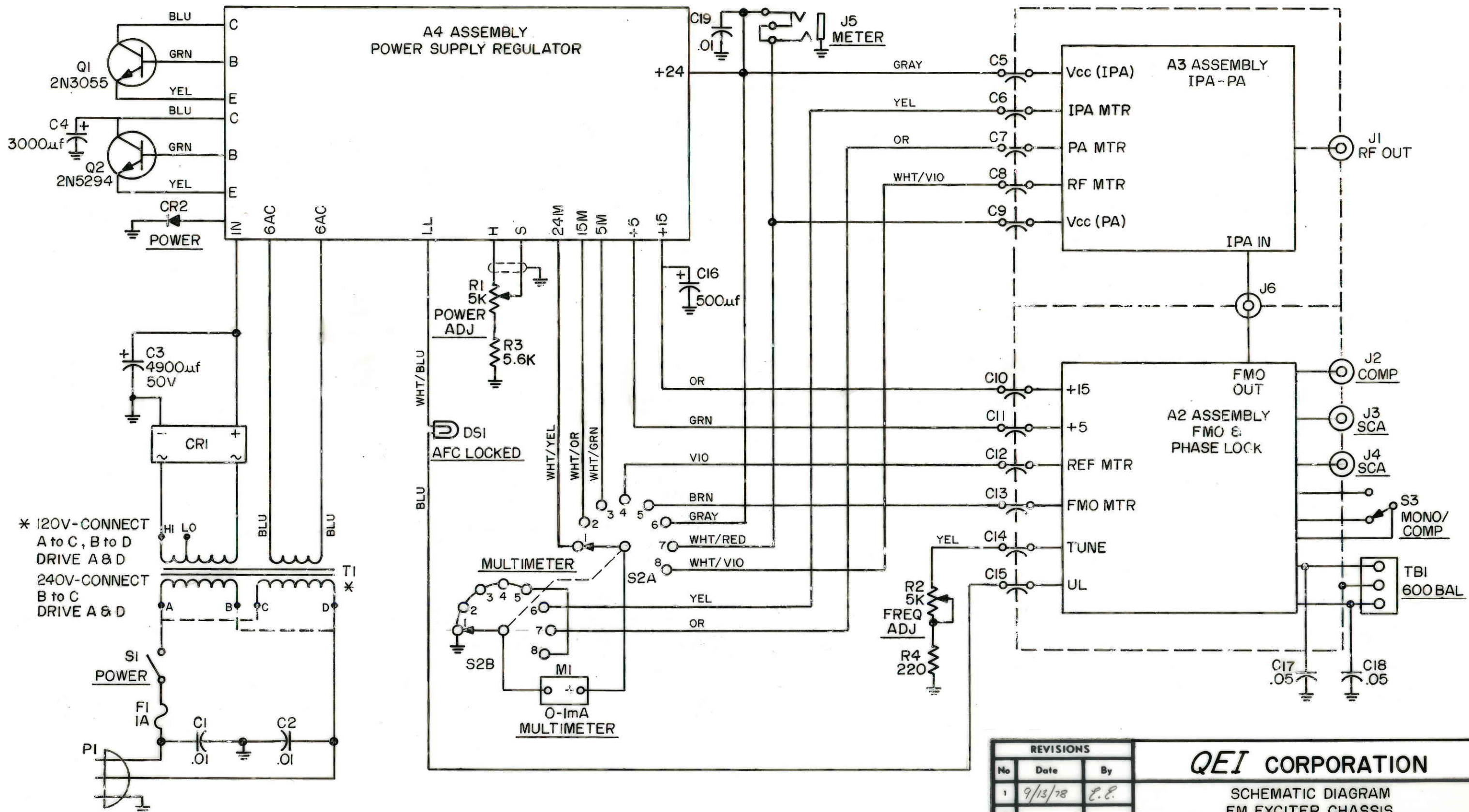


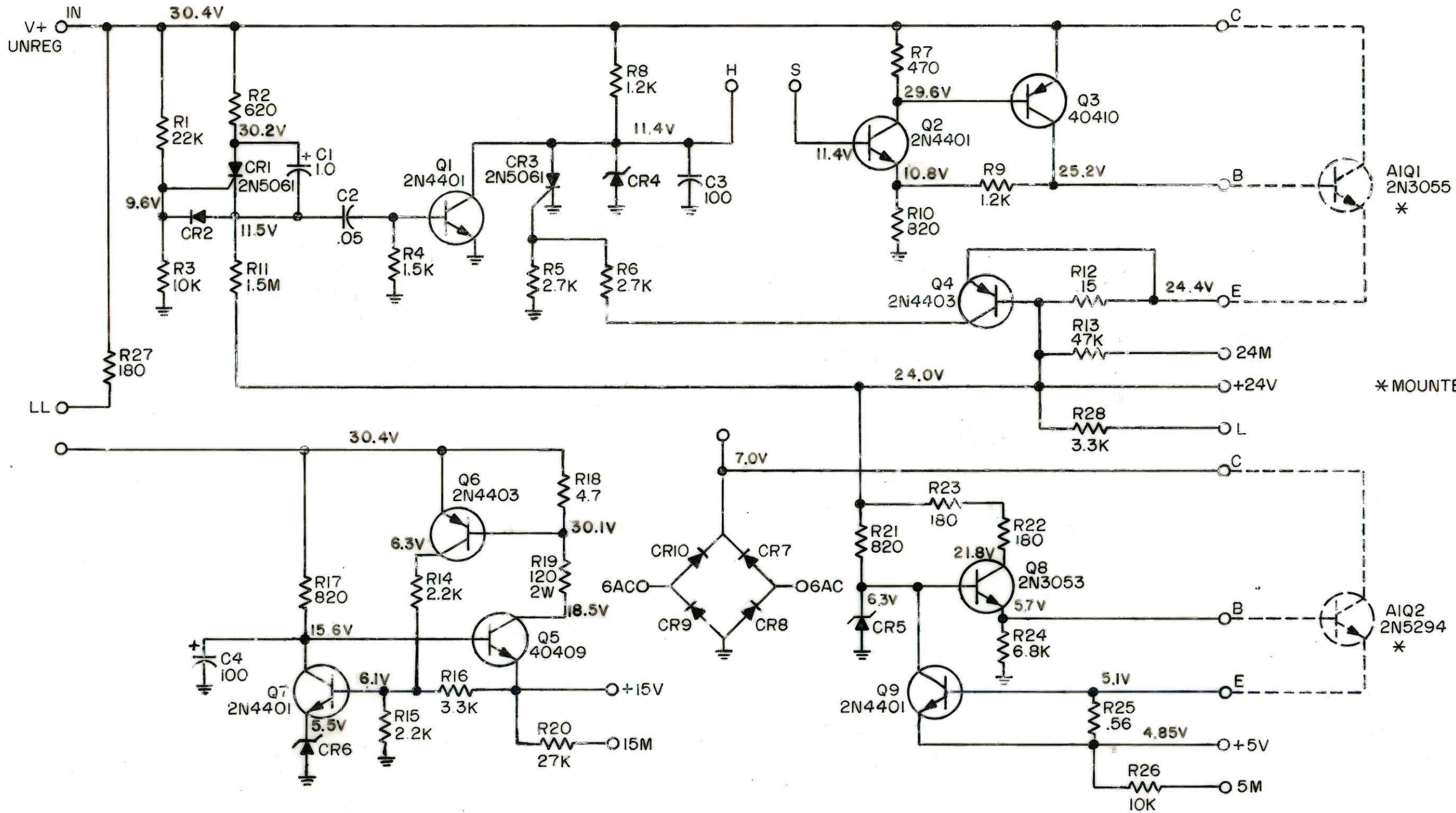
FIGURE 4-1

REVISIONS			QEI CORPORATION		
No	Date	By			
1			BLOCK DIAGRAM		
2					
3			Used on: FM EXCITER-MODEL 675		
4			Drawn By NAL	Date 12-23-75	Drawing No. 6751001
5			Approved	Date	



* 120V-CONNECT
A to C, B to D
DRIVE A & D
240V-CONNECT
B to C
DRIVE A & D

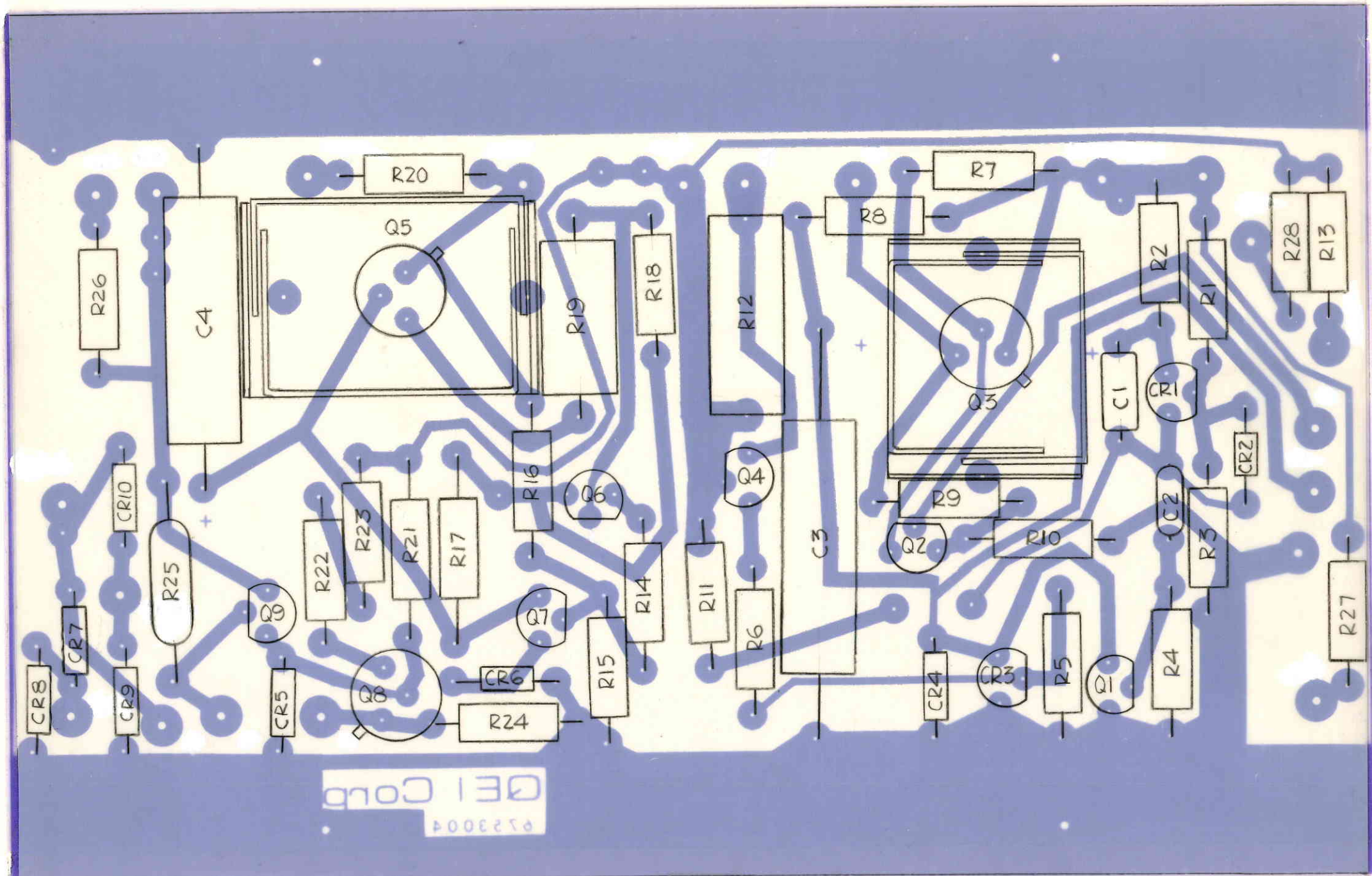
REVISIONS			QEI CORPORATION		
No	Date	By	SCHEMATIC DIAGRAM FM EXCITER CHASSIS		
1	9/13/78	E.E.			
2					
3			Used on:		
4			Drawn By NAL	Date 12-29-75	Drawing No.
5			Approved	Date	6752005



ALL VOLTAGES MEASURED WITH VTVM
INPUT = 10 MEGOHMS

LAST USED
C4
CR10
Q9
R28

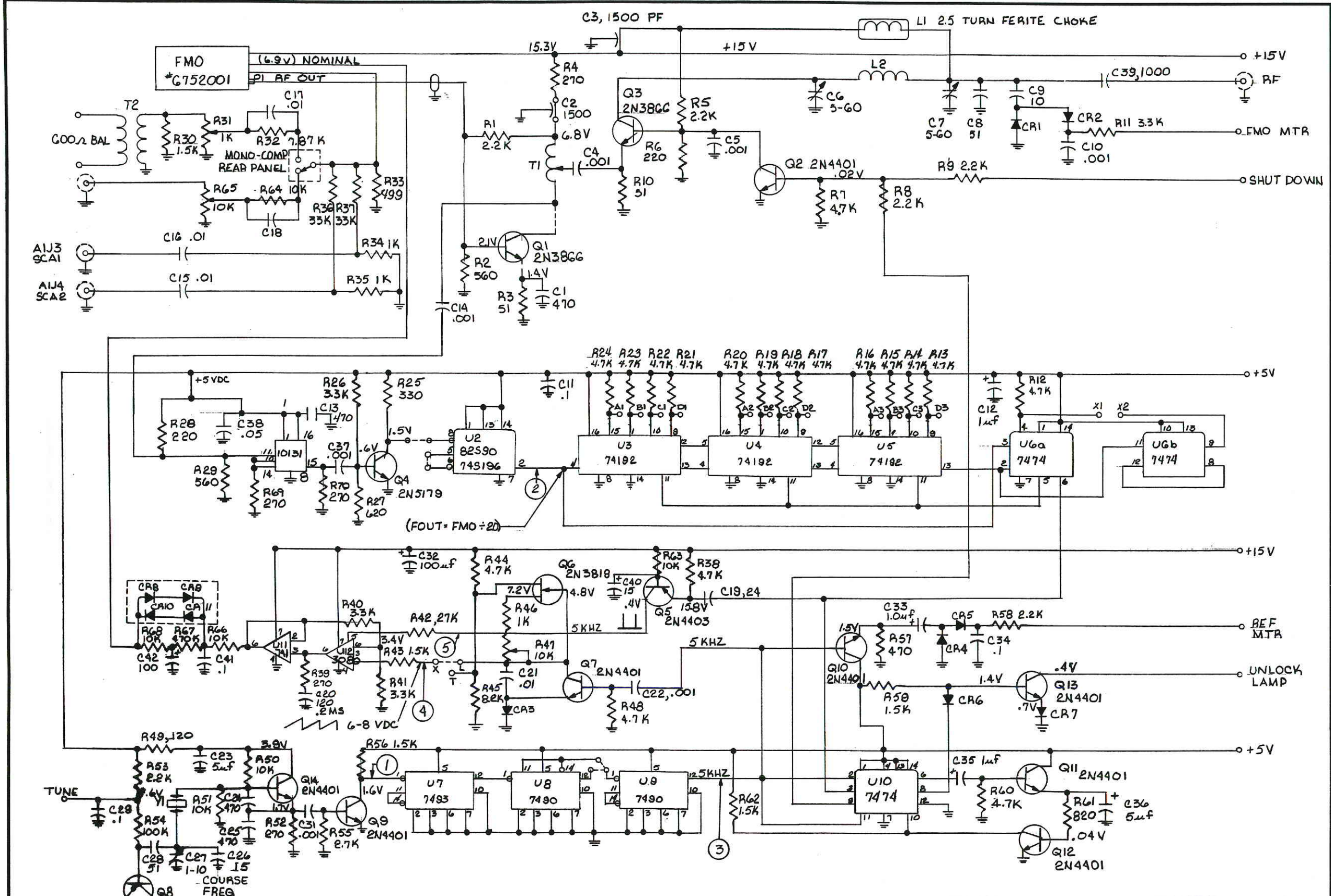
REVISIONS			QEI CORPORATION		
No	Date	By			
1			SCHEMATIC DIAGRAM POWER SUPPLY		
2					
3			Used on: 6753004		
4			Drawn By	DATE	Drawing No.
5			Approved	DATE	6752004



GEI Corp
9223004

675 EXCITER
A4 ASSEMBLY

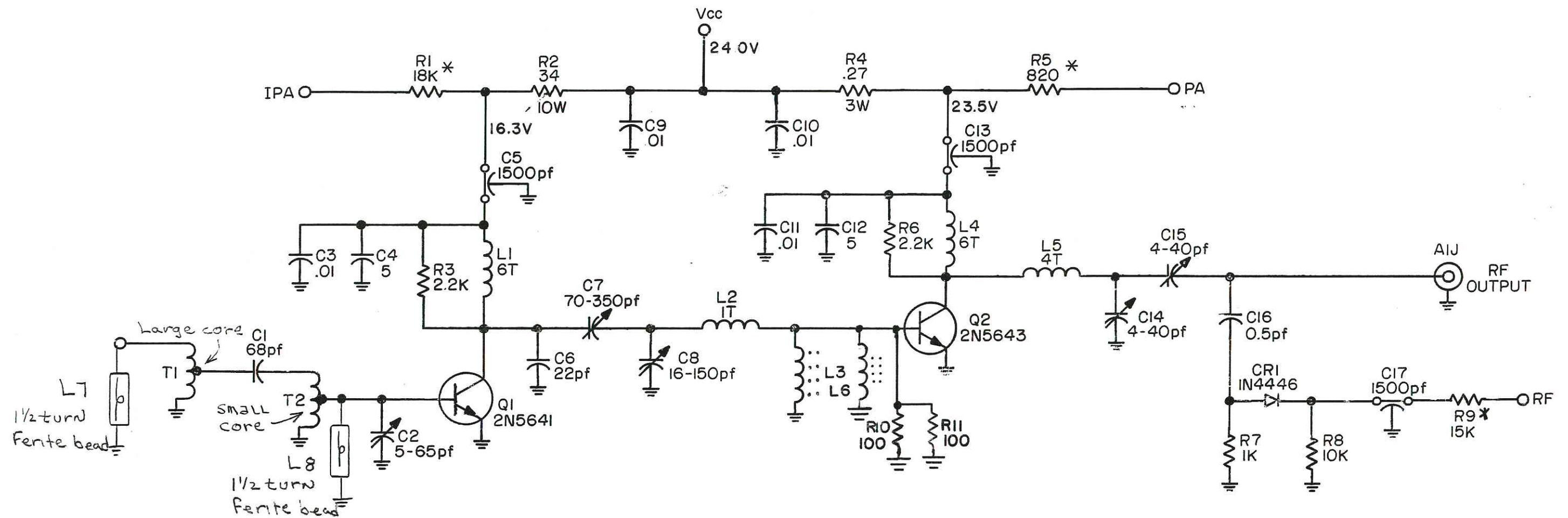
VIEW COMPONENT SIDE



1. ALL VOLTAGES MEASURED WITH DVM, INPUT = 10 MΩ
 2. CIRCLED NUMBERS ARE WAVEFORMS

LAST USED:
 C42, CR11, L2, P1, Q14, R70, T2, U12, Y1

TOLERANCES (EXCEPT AS NOTED)	REVISIONS			QEI CORPORATION		
	NO.	DATE	BY	SCHEMATIC FMO & PHASE LOCK ASS'Y		
DECIMAL	1	9/13/78	CC	DRAWN BY	CK	MATERIAL
FRACTIONAL	2	1/23/80	JC	CHEK'D	DATE	DRAWING NO.
ANGULAR	3	1/13/82	CK	TRACED	APP'D	G753003
	4	5/2/94	EE			
	5					



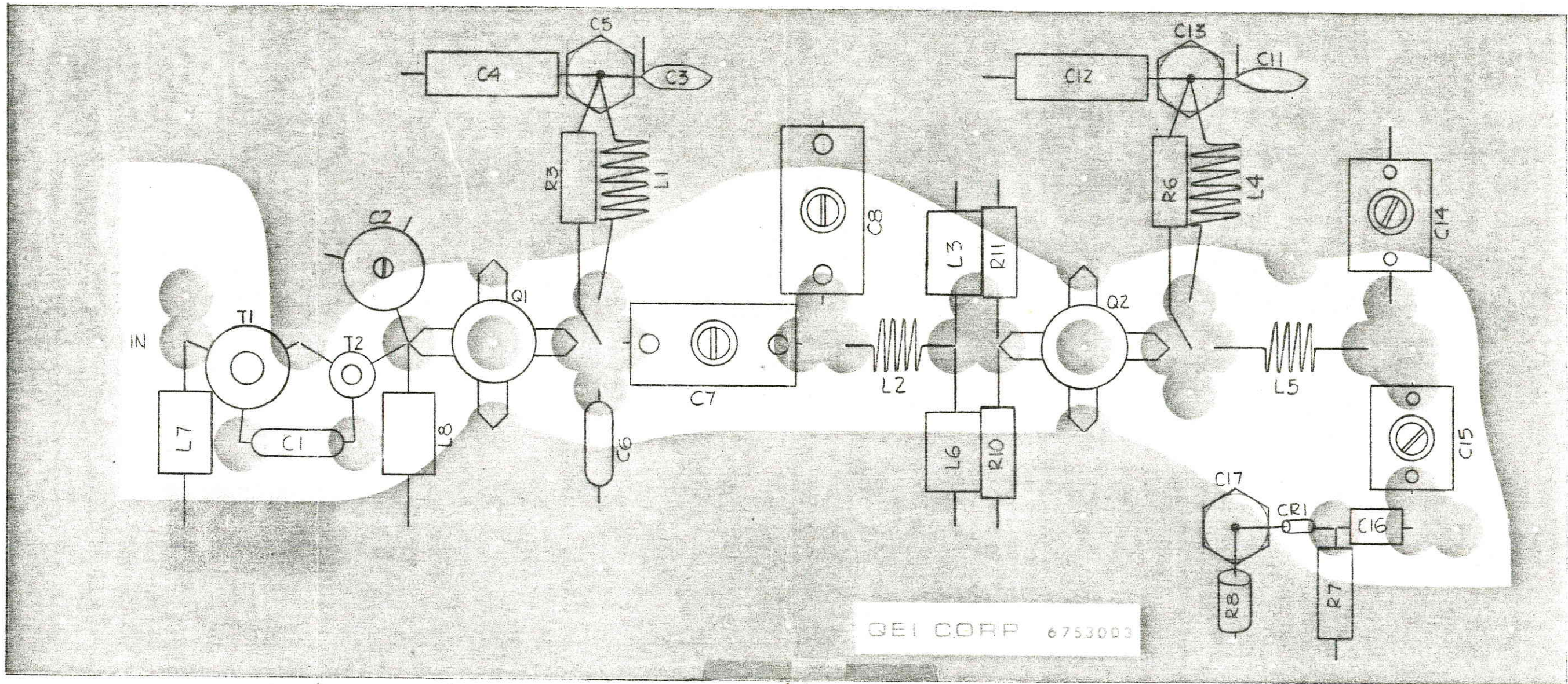
LAST USED
 C17
 CR1
 L8
 Q2
 R11
 T2

* FACTORY SELECTED

ALL VOLTAGES MEASURED WITH VTVM

INPUT = 10 MEGOHMS

REVISIONS			QEI CORPORATION		
No	Date	By	POWER AMPLIFIER		
1	9/13/78	EE	Used on: FM EXCITER		
2	1/23/80	J.E.	Drawn By	Date	Drawing No.
3			NAL	12-18-75	6753004
4			Approved	Date	
5					



675 EXCITER
A3 ASSEMBLY

GEI CORPORATION
ROUTE 73 • KRESSON, N. J.

VIEW COMPONENT SIDE