

Fig. 1—Oscillator Unit Schematic for Conversion of No. 5C Radio Transmitter

TO TERM. #30 ON A.C. POWER PANEL
220 V. A.C.
TO TERM. #31 ON A.C. POWER PANEL

TO TERM. #61 ON A.C. POWER PANEL
220 V. A.C.
TO TERM. #62 ON A.C. POWER PANEL

TO FREQUENCY MONITORING UNIT
3 V. R.F.

TO TERM. #29 ON A.C. POWER PANEL
TO TERM. #10 ON AMPLIFIER UNIT

TO TERM. #11 ON POWER AMP UNIT
TO TERM. #12 ON POWER AMP UNIT
TO TERM. #14 ON AMPLIFIER UNIT

TO TERM. #7 ON AMPLIFIER UNIT
TO TERM. #8 ON AMPLIFIER UNIT

TO POSITIVE SIDE OF 22 V. GENERATOR
TO TERM. #41 ON A.C. POWER PANEL
TO TERM. #47 ON A.C. POWER PANEL
TO TERM. #48 ON A.C. POWER PANEL
TO GATE SWITCH

TO TERM. #12 ON AMPLIFIER UNIT
TO TERM. #13 ON AMPLIFIER UNIT

TO ARMATURE OF 1600 V. GENERATOR

TO GATE SWITCH
TO POSITIVE SIDE OF 14 V. GENERATOR

TO FILTER OF 14 V. GENERATOR

TO TERM. #2 ON TUNING UNIT
TO TERM. #1 ON TUNING UNIT

TO TERM. #6 ON AMPLIFIER UNIT
TO TERM. #5 ON AMPLIFIER UNIT

TO FIELD OF 1600 V. GENERATOR
TO FIELD OF 14 V. GENERATOR

TO TERM. #7 ON POWER AMPLIFIER

TO 250 V. GENERATOR

TO TERM. #9 ON AMPLIFIER UNIT
TO TERM. #1 ON AMPLIFIER UNIT

TO TERM. #2 ON AMPLIFIER UNIT
TO TERM. #44 ON A.C. POWER PANEL
TO TERM. #43 ON A.C. POWER PANEL
TO TERM. #8 ON POWER AMPLIFIER
TO TERM. #9 ON POWER AMPLIFIER

TO TERM. #20 ON AMPLIFIER UNIT
TO TERM. #26 ON AMPLIFIER UNIT
TO TERM. #25 ON AMPLIFIER UNIT

TO TERM. #31 ON A.C. POWER PANEL
220 V. A.C.
TO TERM. #32 ON A.C. POWER PANEL

TO TERM. #13 ON A.C. POWER PANEL
220 V. A.C.
TO TERM. #12 ON A.C. POWER PANEL

TO TERM. #19 ON POWER AMP UNIT
TO TERM. #18 ON POWER AMP UNIT
TO FREQUENCY MONITORING UNIT

TO TERM. #29 ON A.C. POWER PANEL
TO TERM. #26 ON MODIFIED OSCILLATOR
MODULATOR UNIT

TO TERM. #11 ON POWER AMP UNIT
TO TERM. #12 ON POWER AMP UNIT
TO TERM. #25 ON MODIFIED OSCILLATOR
MODULATOR UNIT

TO TERM. #7 ON MODIFIED OSCILLATOR
MODULATOR UNIT
TO TERM. #8 ON MODIFIED OSCILLATOR
MODULATOR UNIT

NOT USED
TO POSITIVE SIDE OF 22 V. GENERATOR
TO TERM. #41 ON A.C. POWER PANEL
TO TERM. #47 ON A.C. POWER PANEL
TO TERM. #48 ON A.C. POWER PANEL
TO GATE SWITCH
TO TERM. #10 ON MODIFIED OSCILLATOR MODULATOR UNIT
TO TERM. #11 ON MODIFIED OSCILLATOR
MODULATOR UNIT

TO ARMATURE OF 1600 V. GENERATOR
TO GATE SWITCH
TO POSITIVE SIDE OF 14 V. GENERATOR
TO FILTER OF 14 V. GENERATOR
TO TERM. #1 ON TUNING UNIT
TO TERM. #2 ON TUNING UNIT
TO TERM. #6 ON MODIFIED OSCILLATOR
MODULATOR UNIT
TO TERM. #5 ON MODIFIED OSCILLATOR
MODULATOR UNIT

TO FIELD OF 1600 V. GENERATOR
TO FIELD OF 14 V. GENERATOR
TO TERM. #7 ON POWER AMPLIFIER
TO 250 V. GENERATOR

TO TERM. #9 ON MODIFIED OSCILLATOR
MODULATOR UNIT
TO TERM. #1 ON MODIFIED OSCILLATOR
MODULATOR UNIT
TO TERM. #2 ON MODIFIED OSCILLATOR
MODULATOR UNIT
TO TERM. #44 ON A.C. POWER PANEL
TO TERM. #43 ON A.C. POWER PANEL
TO TERM. #8 ON POWER AMPLIFIER
TO TERM. #9 ON POWER AMPLIFIER

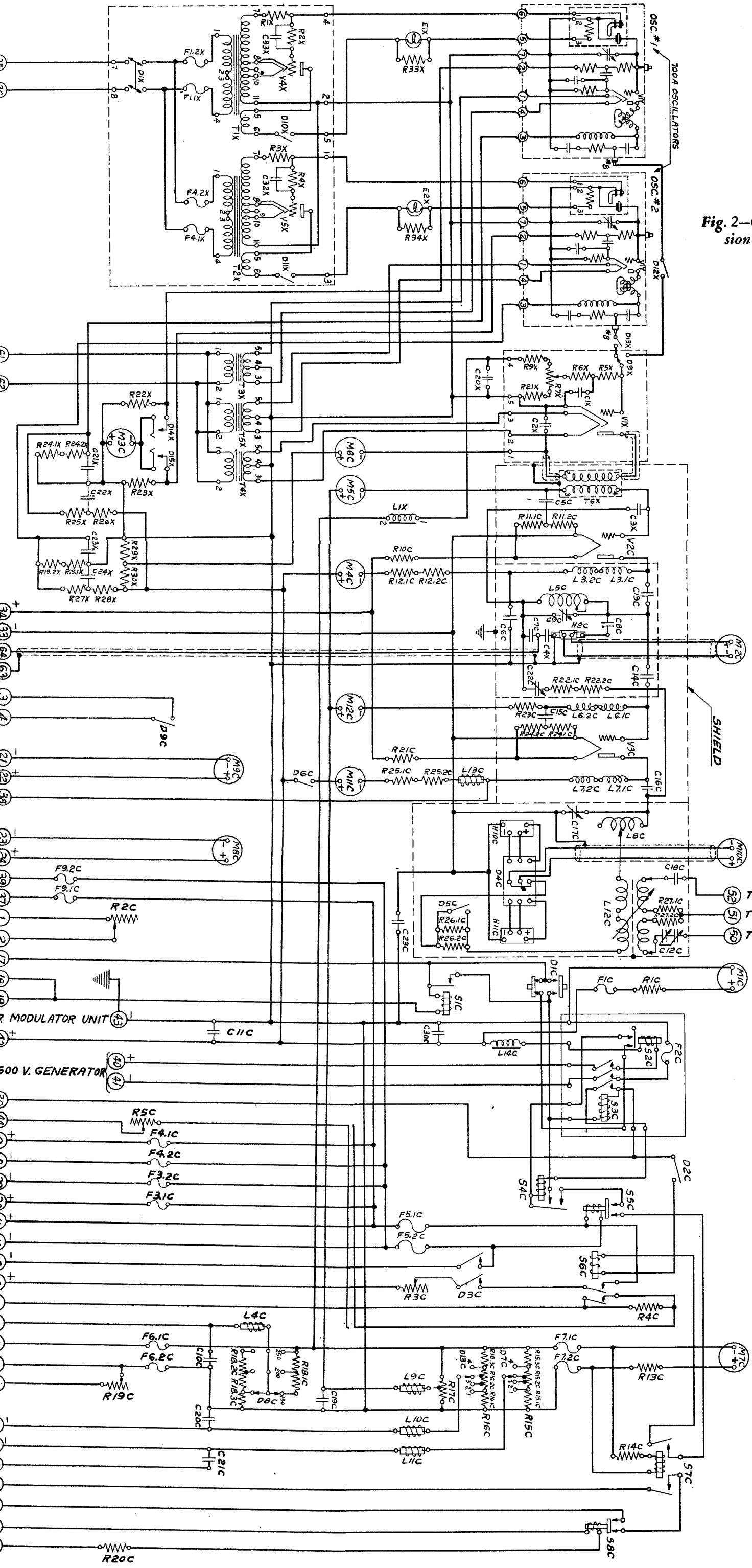


Fig. 2—Oscillator Unit Schematic for Conversion of No. D-87702 and No. D-87703 Radio Transmitters

TO TERM. #13 ON MODIFIED OSCILLATOR
MODULATOR UNIT
TO TERM. #17 ON MODIFIED OSCILLATOR
MODULATOR UNIT
TO TERM. #14 ON MODIFIED OSCILLATOR
MODULATOR UNIT

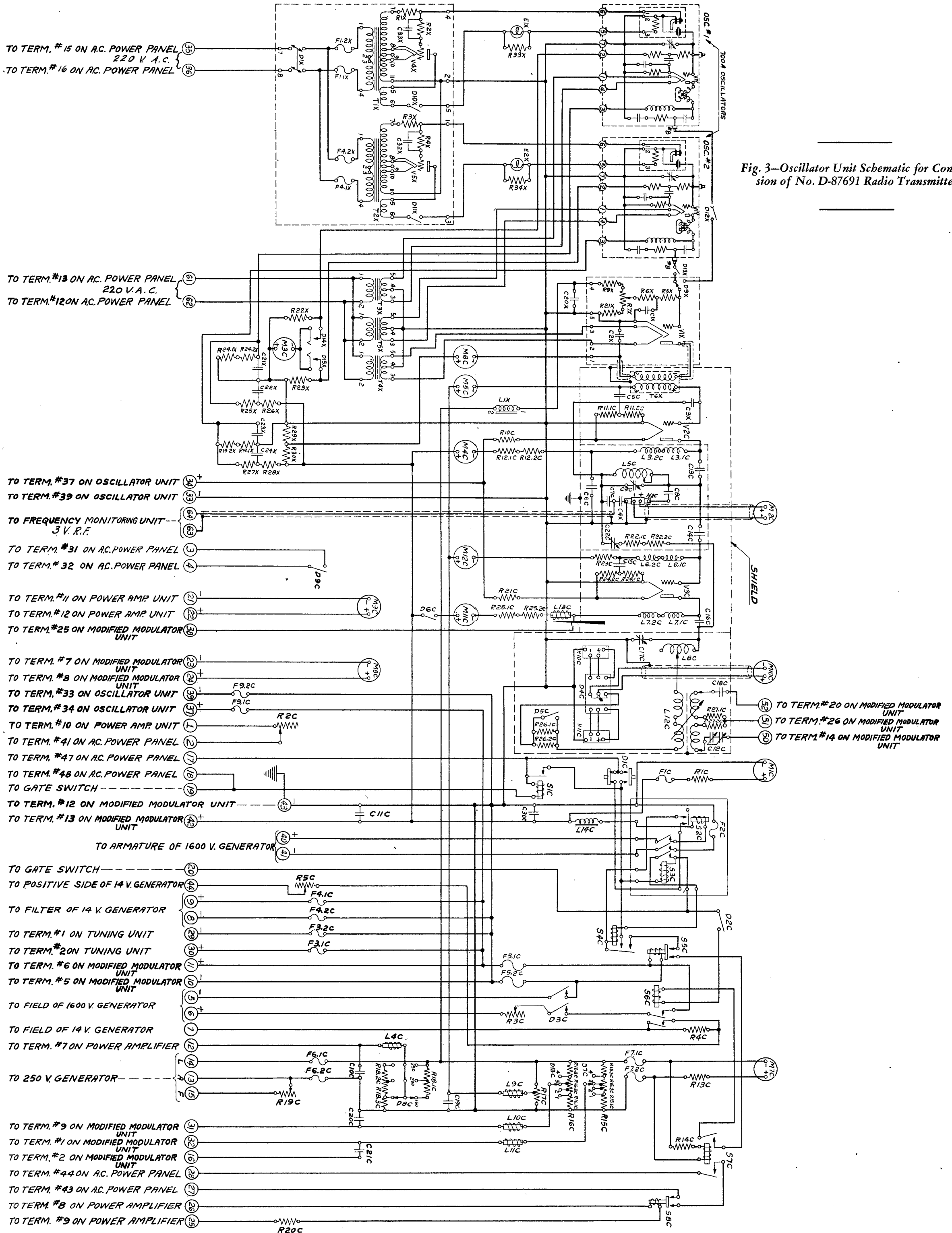
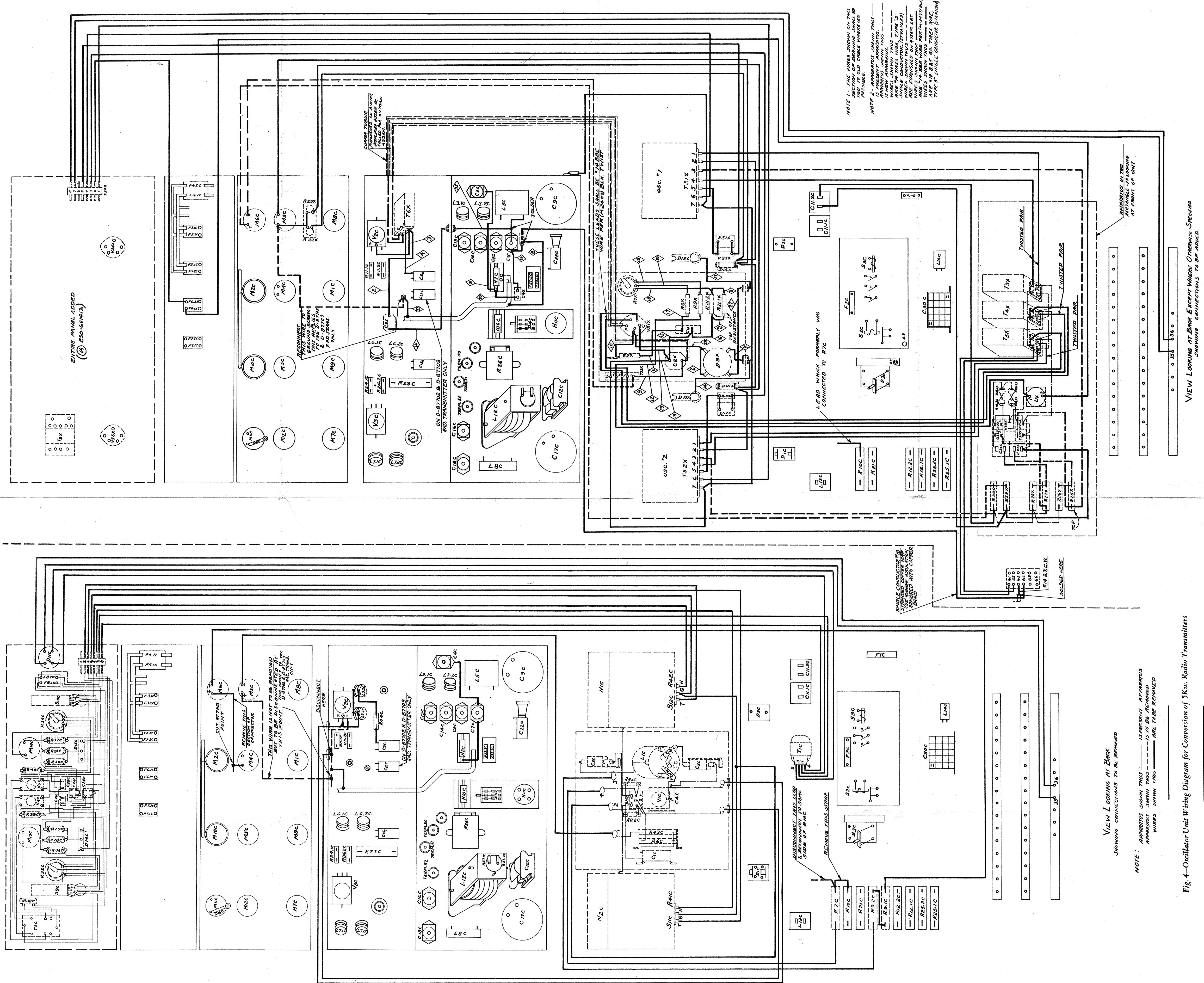


Fig. 3—Oscillator Unit Schematic for Conversion of No. D-87691 Radio Transmitter



ENTIRE PANEL ADDED
(2) CSO-60413

RECONNECT THIS WIRE TO BACK OF THIS UNIT AS SHOWN IN FIG. 4-10713 & D-91703 & ADDITIONAL WIRE ONLY.

COPPER STRIPS MOUNTED ON BOARD SHOULD BE ASSEMBLED AS SHOWN.

ON D-91703 & D-91703 P.T.T. TRANSMITTER ONLY.

WIRE HERE TO BACK OF THIS UNIT AS SHOWN IN FIG. 4-10713 & D-91703 & ADDITIONAL WIRE ONLY.

NOTE 1 - THE WIRES SHOWN ON THIS FIG. TO OLD CABLE WOULD BE RE-ASSEMBLED.
NOTE 2 - APPARATUS SHOWN THIS IS A NEW APPARATUS. APPARATUS SHOWN THIS IS A NEW APPARATUS. WIRE FROM TRACK WIRE, TYPE 3, ARE FURNISHED ON PRESS SET. WIRE FROM TRACK WIRE, TYPE 3, ARE FURNISHED ON PRESS SET. WIRE FROM TRACK WIRE, TYPE 3, ARE FURNISHED ON PRESS SET. WIRE FROM TRACK WIRE, TYPE 3, ARE FURNISHED ON PRESS SET. WIRE FROM TRACK WIRE, TYPE 3, ARE FURNISHED ON PRESS SET.

LEAD WHICH FORMERLY WAS CONNECTED TO RTC

SINGLE CONDUCTOR WIRE TO BE USED IN THIS AREA. WIRE TO BE PROVIDED WITH COPPER Braid.

SOLDER HERE

VIEW LOOKING AT BACK
SIGNING CONNECTIONS TO BE REMOVED

NOTE: APPARATUS SHOWN THIS IS PRESENT APPARATUS. WIRE FROM TRACK WIRE, TYPE 3, ARE FURNISHED ON PRESS SET. WIRE FROM TRACK WIRE, TYPE 3, ARE FURNISHED ON PRESS SET. WIRE FROM TRACK WIRE, TYPE 3, ARE FURNISHED ON PRESS SET. WIRE FROM TRACK WIRE, TYPE 3, ARE FURNISHED ON PRESS SET.

APPARATUS IN THE RECTANGLE IS LOCATED AT FRONT OF UNIT

VIEW LOOKING AT BACK EXCEPT WHERE OTHERWISE SPECIFIED
SIGNING CONNECTIONS TO BE REMOVED.

Fig. 4-Oscillator Unit Wiring Diagram for Conversion of 3Ku Radio Transmitters