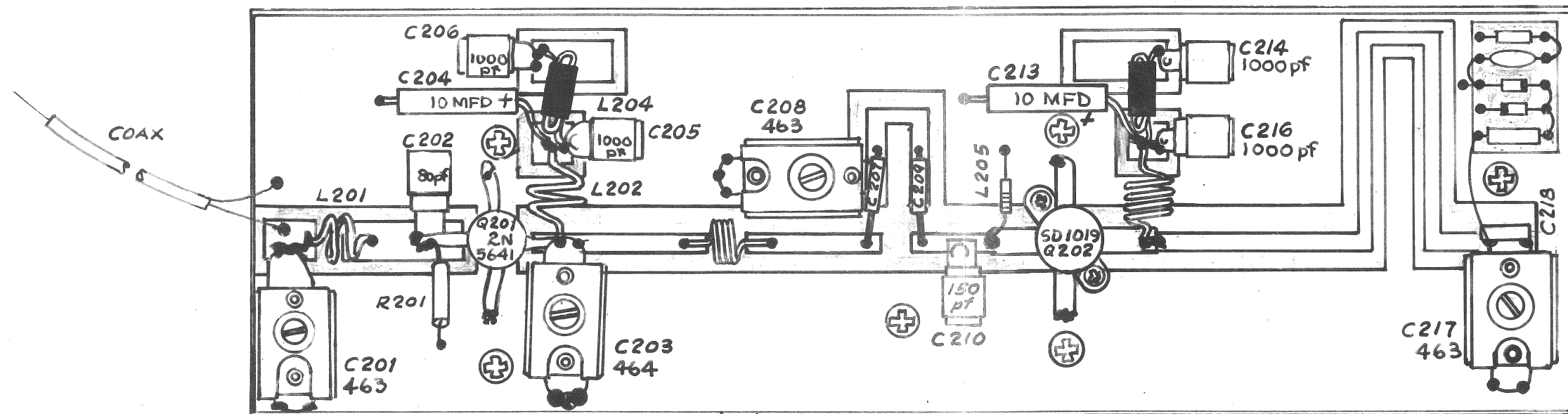


RG 58 C/U

REVISIONS		
No.	Date	By
1	1-16-78	J.L.B.
2	8-7-78	J.B.
3	7-20-78	J.B.
4		
5		

PA BOARD AND LOW PASS FILTER	
Drawn By: DJS	Date: 12-10-76
Approved:	Date:
E-20003	



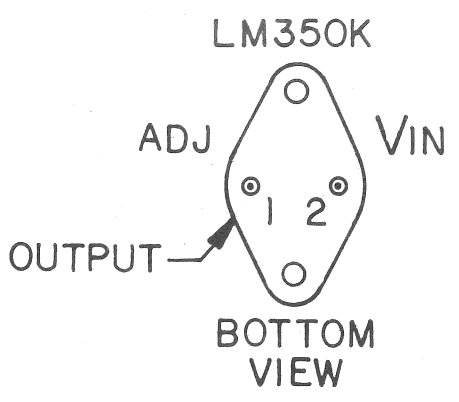
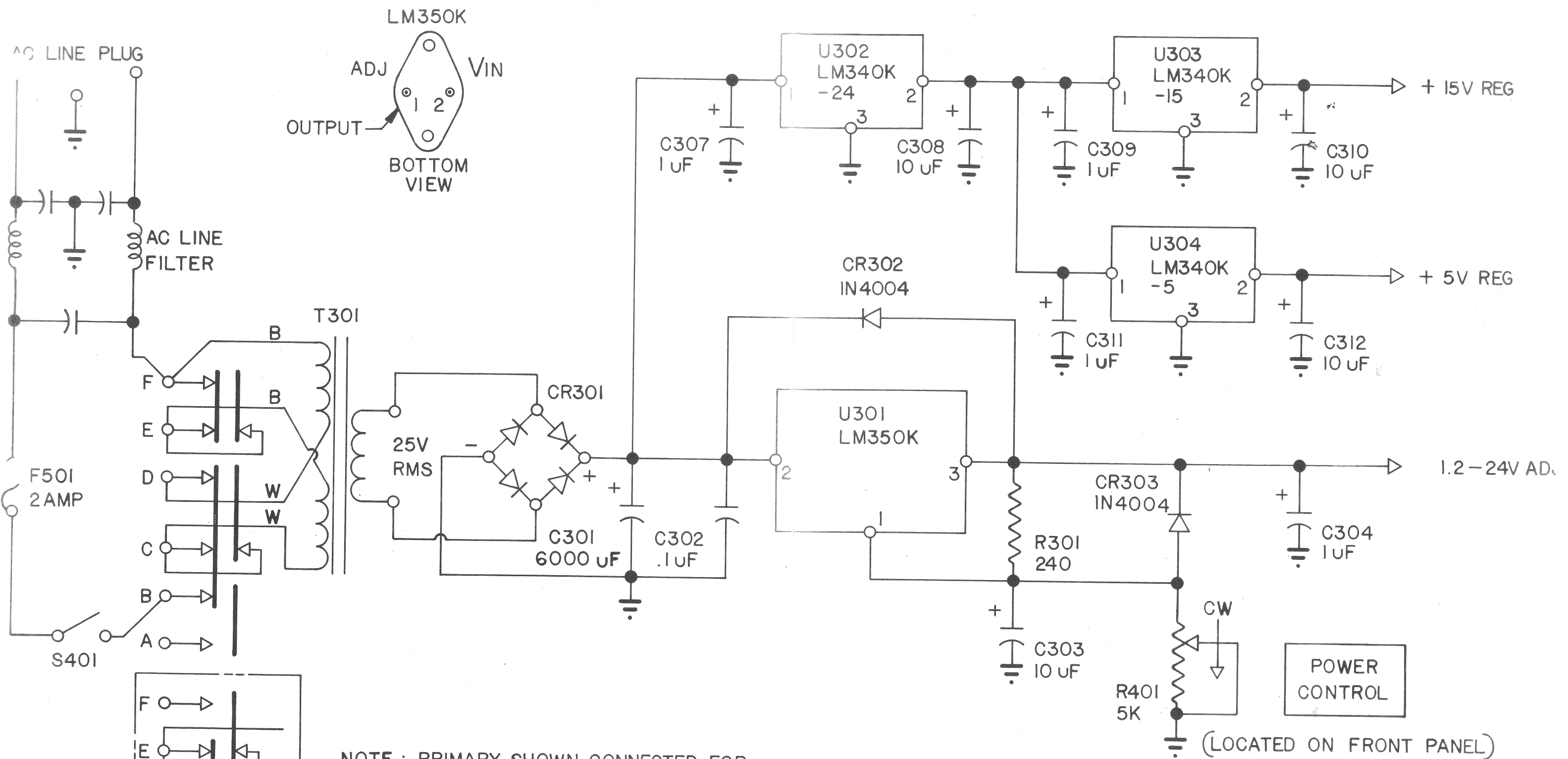
R202
C212
CR202
CR201
C215

EFL1027B

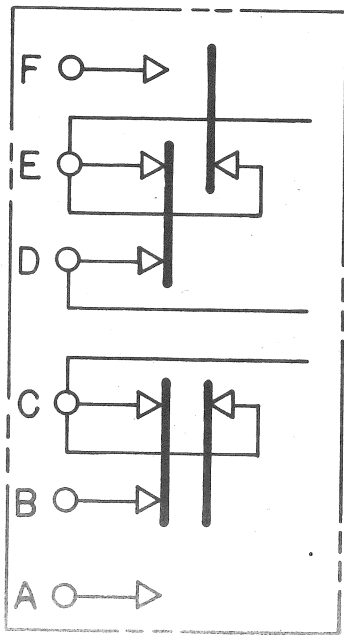
C201	CAP. TRIMMER ARCO 463	C208	CAP. TRIMMER ARCO 463	C218	CAP. UNCASED MICA, 1000 pf	L206	COIL				
C202	CAP. UNCASED MICA 80pf	C209	CAP. UNCASED MICA, 1000 pf	*CR201	DIODE, SILICON IN4150	L207	RF CHOKE YK-200				
C203	CAP. TRIMMER ARCO 463	C210	CAP. UNCASED MICA (150pf)	*CR202	DIODE, SILICON IN4150		CONNECTOR COAX				
C204	CAP. ELECTROLYTE 10 mf.	C213	CAP. ELECTROLYTE 10 mf.			Q201	TRANSISTOR 2N5641				
C205	CAP. UNCASED MICA, 1000pf	C214	CAP. UNCASED MICA (1000 pf)	L204	RF CHOKE YK 200	Q202	TRANSISTOR SD-1019-5				
C206	CAP. UNCASED MICA, 1000pf	C216	CAP. UNCASED MICA (1000pf)	L203	COIL (F10072)	R201	RES. CAR. 20Ω 1/2W 5%				
C207	CAP. UNCASED MICA, 1000pf	C217	CAP. TRIMMER ARCO 463	L205	RF CHOKE 10 μH	*R202	RES. CAR. 36K, 1/4W 5%				
*C215	CAP. MICA, .5pf @ 500 V.D.C.			L201	COIL (F10074)	R203	NOT USED				
*C212	CAP. CER DISC .001 μf			L202	COIL (F10074)	R204	NOT USED				
C211	NOT USED										

*NOT ON P.C. BOARD.

REVISIONS			CSI ELECTRONICS INC.		
No	Date	By			
1	1-16-78	J.L.B.	P.A. PC BOARD COMPONENT LOCATION		
2	5-2-78	J.L.B.			
EFL 1000-17			Used on: FM EXCITER		
Drawn By		D.J.S.	Date	4/18/77	Drawing No.
Approved			Date		E-20013



NOTE : PRIMARY SHOWN CONNECTED FOR 120 V PRIMARY. FOR 240 V SEE _____ . INSERT PROGRAM CARD IN FUSE ASS'Y IN POSITION WITH DESIRED VOLTAGE (120 OR 240) VISIBLE.



REVISIONS			CSI ELECTRONICS INC.	
No.	Date	By		
1	7000-9		POWER SUPPLY	
2	7000-17			
3	7000-39		Used	EX-20F EXCITER
4	7000103		Drawn	PDI Date 8-21-82 Drawing No.
5	REDRAWN 8-21-82	PDI	Approved	Sheet 1 of 1 E200009