

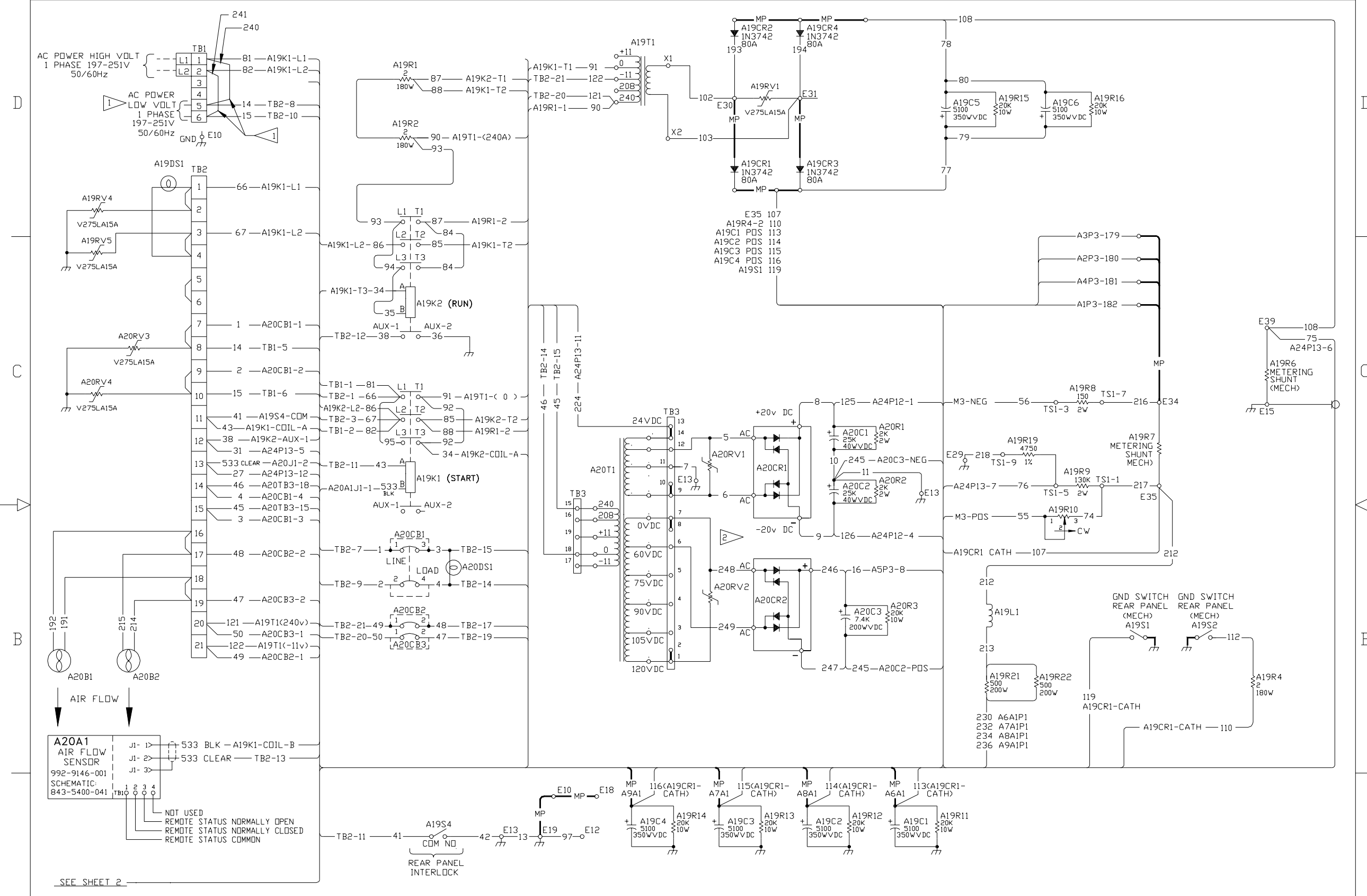
NOTES

REV	DATE	DESCRIPTION
J	JAN 30, 2001	REVISED SHEET 2, AND 3
K	MAR 29, 2001	REVISED SHEET 2, UPDATED REV ALL SHEETS

HARRIS
 HARRIS CORPORATION
 BROADCAST COMMUNICATIONS
 P.O. BOX 4290
 QUINCY, ILLINOIS 62305

DRAWN BY: ROB FINLEY
 DATE: MARCH 1990
 ENG CHK: RICHARDS
 PRJ ENG: SANDIDGE
 MFG ENG: -
 C: SHEET 1 OF 3

TITLE: WIRING DIAGRAM, GATES 5 SINGLE PHASE
 DWG NO. 839-7920-052
 REV K



2. A20T1 SECONDARY TAP VOLTAGES SHOWN ARE INDICATIVE OF POWER SUPPLY OUTPUT VOLTAGE AVAILABLE FROM A SPECIFIC A20T1 TAP TO ZERO VOLTS REFERENCE. WIRE 249 IS CONNECTED TO TAP (NOT NECESSARILY #6) THAT RESULT IN NOMINAL 28V P-P PA MODULE RF DRIVE SIGNAL.

1. FOR SEPARATE HV AND LV POWER SUPPLY INPUT INSTALL LV POWER ON TERMINALS 5 & 6; HV POWER ON TERMINALS 1,2 & 3 DELETE JUMPER WIRES #240 AND #241.

REV	LTR	ZONE	DATE	DFTM	ENG	ECD NBR
1	J		JAN 30, 2001	SEC	SEC	46591
UPDATED REVISION PER ECD						
2	K		MAR 29, 2001	SEC	SEC	46907
ADDED L1 & L2 AT TB1						

HARRIS CORPORATION
BROADCAST COMMUNICATIONS
P.O. BOX 4290
QUINCY, ILLINOIS 62305

DRAWN BY: ROB FINLEY DATE: MARCH 1990 ENG: RICHARDS PRD: HOLLENBERG MFG: SANDIDGE C: SHEET 3 OF 3	TITLE: WIRING DIAGRAM, GATES 5 SINGLE PHASE POWER SUPPLY DWG NO. 839-7920-052 REV K
--	--