

NOTES

REVISION	LTR	ZONE	DATE	DFTM	ENG	ECD NBR
	G	.	11-01-1996	SEC	SEC	41575
REVISED SHEET 2						
	H	.	JAN 30, 2001	SEC	SEC	46591
REVISED SHEET 2, AND 3						

REVISION	LTR	ZONE	DATE	DFTM	ENG	ECD NBR
	G	.	11-01-1996	SEC	SEC	41575
REVISED SHEET 2						
	H	.	JAN 30, 2001	SEC	SEC	46591
REVISED SHEET 2, AND 3						

HARRIS

HARRIS CORPORATION
BROADCAST COMMUNICATIONS
P.O. BOX 4290
QUINCY, ILLINOIS 62305

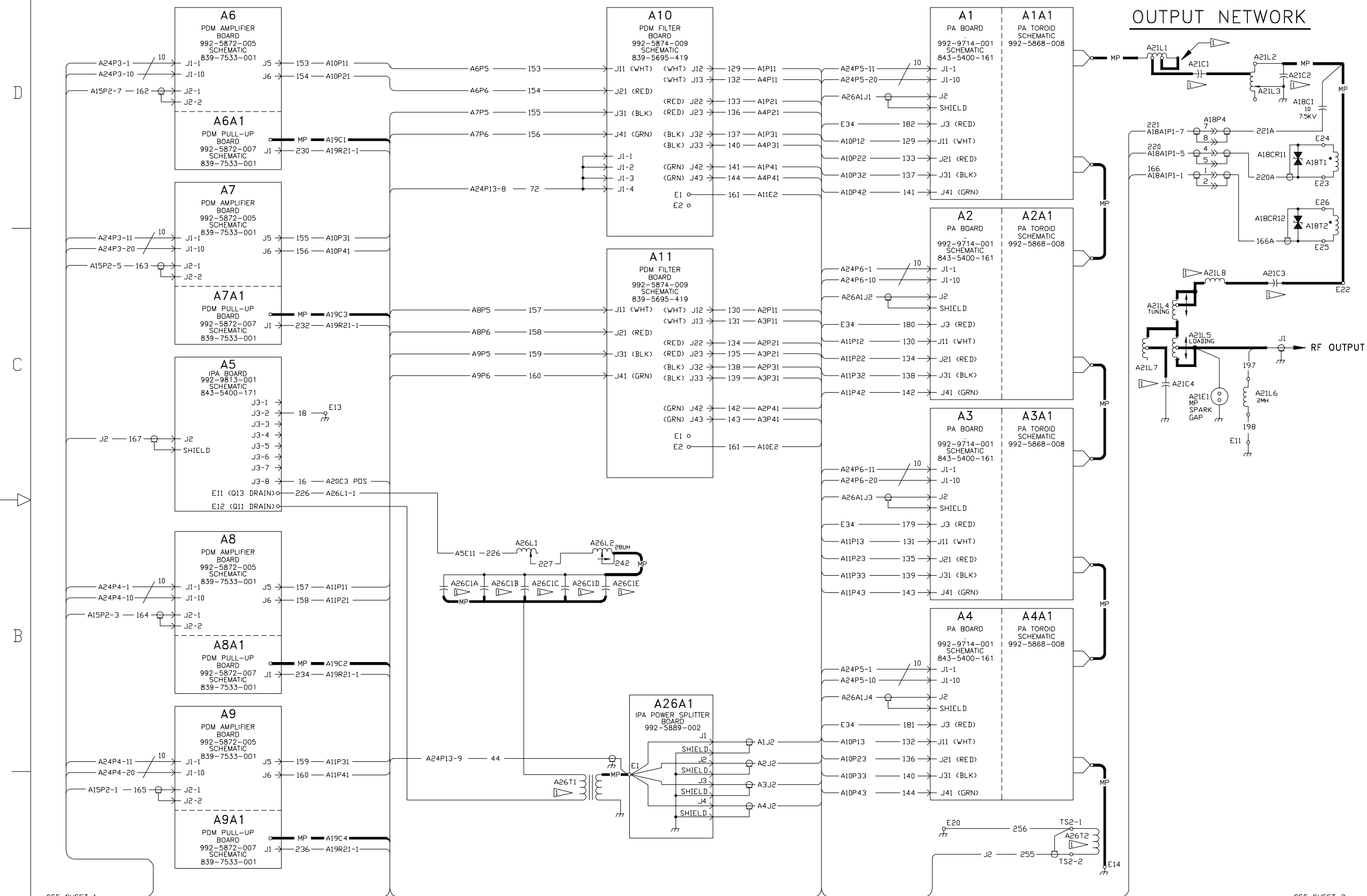
THIS DOCUMENT CONTAINS PROPRIETARY DATA OF HARRIS CORPORATION. NO DISCLOSURE, REPRODUCTION, OR USE OF ANY PART THEREOF MAY BE MADE EXCEPT BY WRITTEN PERMISSION.

DRAWN BY: ROB FINLEY
DATE: MARCH 1990
ENG CHK: RICHARDS
PRJ ENG: HOLLENBERG
MFG ENG: SANDIDGE
C: SHEET 1 OF 3

TITLE: WIRING DIAGRAM, GATES 5 THREE PHASE

DWG NO. 839-7920-053

REV H



SEE SHEET 1

SEE SHEET 3

NOTES

▷ FREQUENCY DETERMINED

REV	DATE	DESCRIPTION
G	11-01-1996	SEC SEC 41575
H	JAN 30, 2001	SEC SEC 46591

CHANGED PART NUMBER AT A5

HARRIS

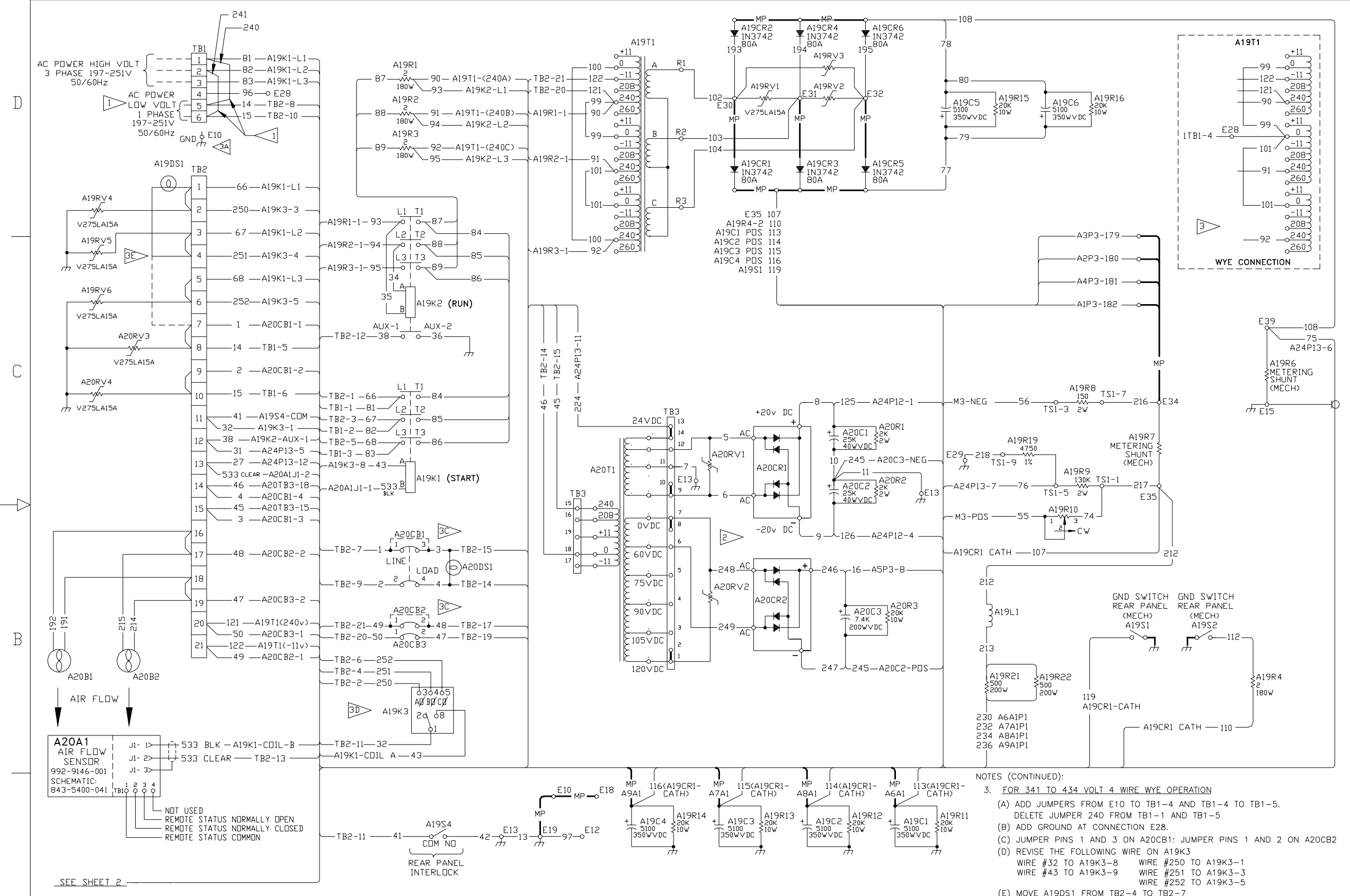
HARRIS CORPORATION
BROADCAST COMMUNICATIONS
P.O. BOX 4290
QUINCY, ILLINOIS 62305

DRAWN BY ROB FINLEY
DATE MARCH 1990
ENG CHK RICHARDS
PRJ ENG SANDIDGE
MFG ENG
C SHEET 2 OF 3

TITLE
WIRING DIAGRAM, GATES 5
THREE PHASE

DWG NO. 839-7920-053

REV H



NOTES

- FOR SEPARATE HV AND LV POWER SUPPLY INPUT INSTALL LV POWER ON TERMINALS 5 & 6; HV POWER ON TERMINALS 1, 2 & 3 DELETE JUMPER WIRES #240 AND #241.
- A20T1 SECONDARY TAP VOLTAGES SHOWN ARE INDICATIVE OF POWER SUPPLY OUTPUT VOLTAGE AVAILABLE FROM A SPECIFIC A20T1 TAP TO ZERO VOLTS REFERENCE. WIRE 249 IS CONNECTED TO TAP (NOT NECESSARILY #6) THAT RESULT IN NOMINAL 28V P-P PA MODULE RF DRIVE SIGNAL.

- NOTES (CONTINUED):
- FOR 341 TO 434 VOLT 4 WIRE WYE OPERATION
 - ADD JUMPERS FROM E10 TO TB1-4 AND TB1-4 TO TB1-5. DELETE JUMPER 240 FROM TB1-1 AND TB1-5
 - ADD GROUND AT CONNECTION E28.
 - JUMPER PINS 1 AND 3 ON A20CB1; JUMPER PINS 1 AND 2 ON A20CB2
 - REVISE THE FOLLOWING WIRE ON A19K3
 WIRE #32 TO A19K3-8 WIRE #250 TO A19K3-1
 WIRE #43 TO A19K3-9 WIRE #251 TO A19K3-3
 WIRE #252 TO A19K3-5
 - MOVE A19DS1 FROM TB2-4 TO TB2-7
 - MOVE WIRE #34 FROM A19K2-L2 TO GND

REV	LTR	ZONE	DATE	DFTM	ENG	ECO	NBR
1	E		03-11-1995	SEC			39125
2	H		JAN 30, 2001	SEC			46591
REDRAWN IN AutoCAD, DELETED A20S2, ADDED A20A1							
UPDATED REVISION PER ECO							



HARRIS CORPORATION
 BROADCAST COMMUNICATIONS
 P.O. BOX 4290
 QUINCY, ILLINOIS 62305

DRAWN BY: ROB FINLEY
 DATE: MARCH 1990
 ENG CHK: RICHARDS
 PRJ ENG: HOLLENBERG
 MFG ENG: SANDIDGE
 SHEET 3 OF 3

TITLE: WIRING DIAGRAM, GATES 5 THREE PHASE POWER SUPPLY
 DWG NO. 839-7920-053
 REV H