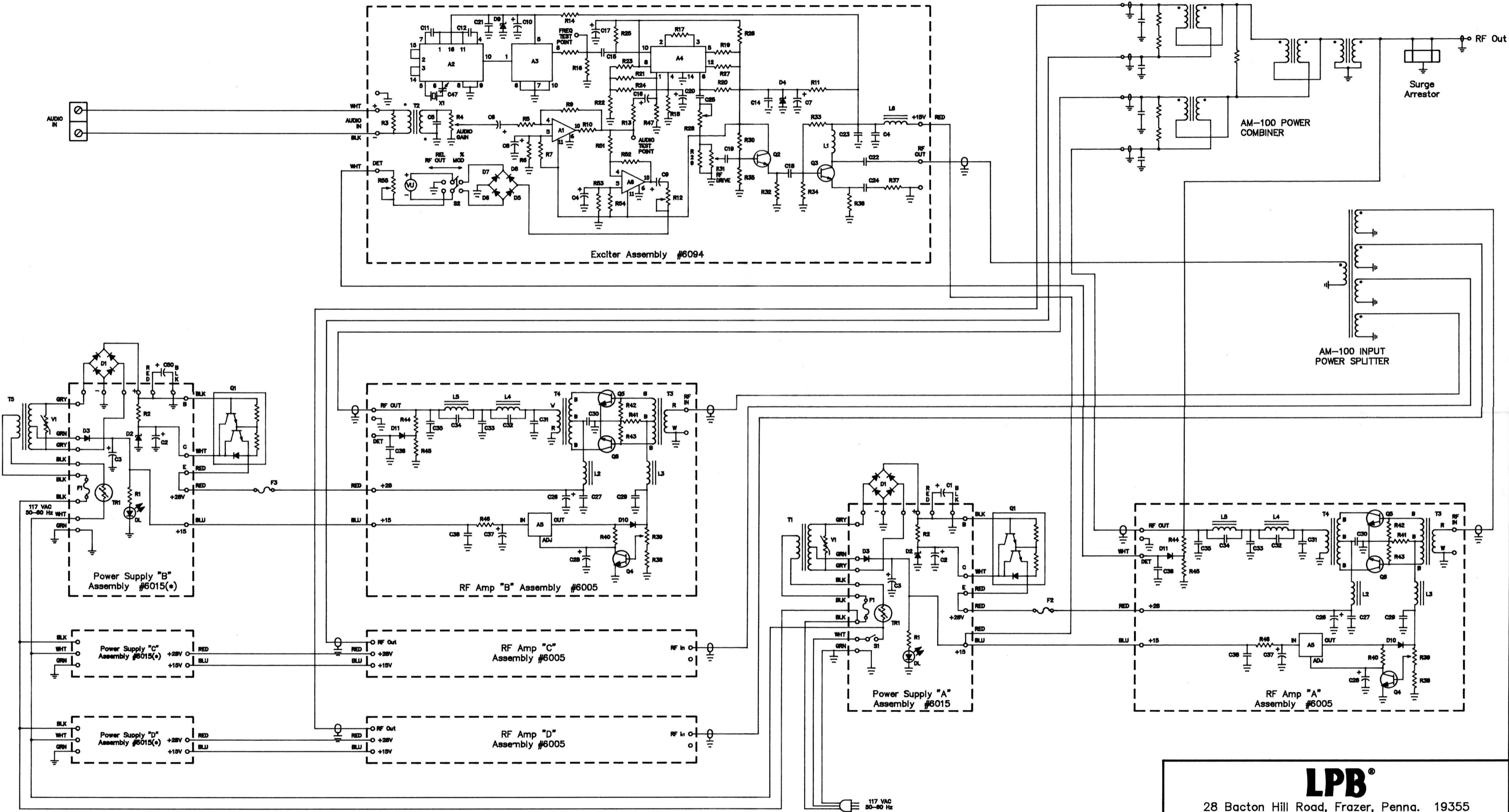


REV	ECO	DESCRIPTION	CHK'D	DATE



\* NOTE: Power Supply "B,C, & D" are a modified assembly 6015. Switch S1 is not installed.

**LPB**<sup>®</sup>  
28 Bacton Hill Road, Frazer, Penna. 19355

AM-100P TRANSMITTER  
SCHEMATIC DIAGRAM

CAD FILE NAME C:\LPAM\AM100-AC.DWG	DWN 	DATE 1 NOV '88	SCALE NONE	SH. 1 OF 1
REPRODUCTION DATE	CHK'D	DATE	SIZE C	DRAWING NO. 6164
	APP'D	DATE		REV. A