
EC-30A VOICE COUPLER IDENTIFICATION, INSTALLATION, MAINTENANCE AND CONNECTIONS

F.C.C. REGISTERED

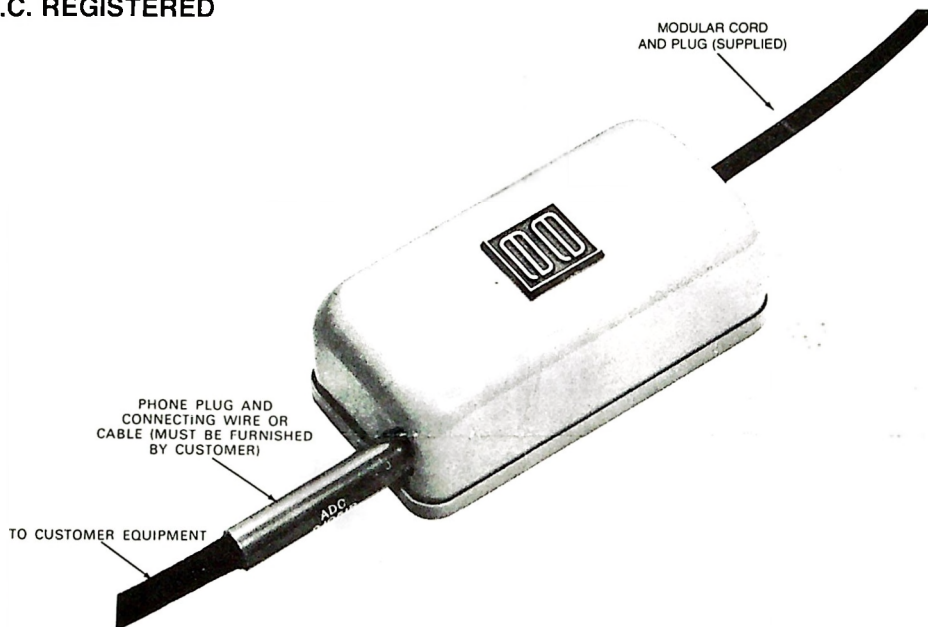


Fig. 1 — EC-30A Voice Coupler

1. GENERAL

1.01 This section is issued to:

- Show the voice connecting arrangement and network control signaling unit. (Figure 2)
- Provide voice frequency access to the Telecommunications Network.
- To limit abnormally high voice signal voltages.
- To isolate hazardous voltages and currents.
- To provide longitudinal impedance balance.

1.02 The customer should be informed by the manufacturer or supplier of the equipment of the proper use and operation of Voice Connecting Arrangement QKT with his equipment.

Page 1 of 4

ELGIN
ELECTRONICS

A Subsidiary of Combustion Engineering, Inc.

General Offices and Manufacturing: Walnut Street, Waterford, Pennsylvania 16441-0701 - TWX 510-699-6859 - Phone (814) 796-2601

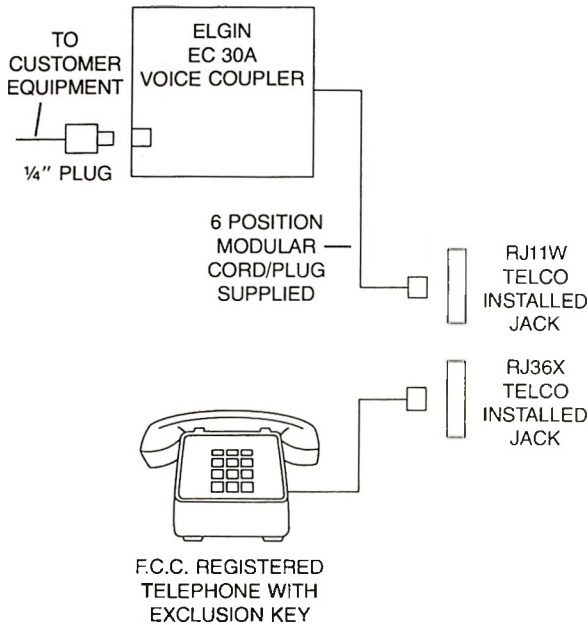


Fig. 2

2. IDENTIFICATION

(a) **Purpose:** Provide 2-wire connection of customer-provided (CP) voice transmitting and/or receiving equipment to telephone lines. These couplers must be associated with a telephone set equipped with an exclusion key. The coupler provides dc isolation and limits excessive signals.

(b) **Design Features:** Component parts are housed in an apparatus box. Approximate dimensions are 4 inches long by 2 inches wide by 1½ inches deep. The complete assembly weighs approximately 4 ozs.

- o A standard 0.25 inch tip-sleeve phone jack permits the electrical connection of CP voice communication device.
- o Any power for customer equipment must be supplied by the customer. DC power is not available at the coupler and must not be applied to the coupler.

(c) **Operating Features:**

Incoming Call

- o Connection of the coupler to the line is made by operating the associated telephone set exclusion key.

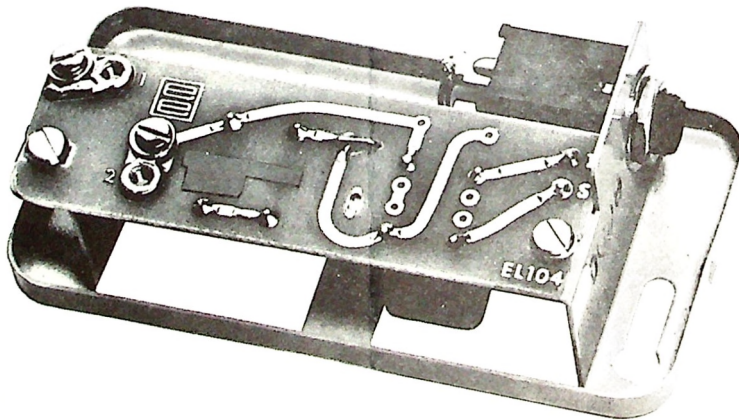


Fig. 3 — EC30-A Voice Coupler, Cover Removed

Outgoing Call

- Must be placed in the normal manner, then CP equipment may be connected, by operating the exclusion key.
- Coupler should be disabled (exclusion key down) when dialing to prevent possible dial pulse distortion.
- The voice coupler is disconnected when exclusion key is returned to normal or associated telephone handset is placed on-hook.

Note: If the customer requires the transmitter and/or receiver of the associated telephone set to be disabled when the CP equipment is in operation, the associated telephone set must be equipped with a cutoff turnkey in addition to the exclusion key.

3. BEFORE INSTALLATION

Customers connecting terminal equipment to the telephone network shall, before such connection is made, give notice to the telephone company of:

- 3.01 The particular line to which such connection is to be made,
- 3.02 The required jack (U.S.O.C. Code RJ11W)
- 3.03 The F.C.C. registration number AE498D-62644-PC-N,
- 3.04 The ringer equivalence number is O.OB,
- 3.05 The customer shall give notice to the telephone company upon Final disconnection of equipment from the particular line(s).
- 3.06 For system assembled of combinations of individually registered terminal equipment and protective circuitry, the user must provide for each line, the F.C.C. registration numbers for all equipment and the single largest ringer equivalence number. (In this case, the ringer equivalence number of the associated telephone.)

4. MAINTAINENCE

- 4.01 This recorder connector cannot be used with party or coin lines.
- 4.02 NO REPAIRS or strapping changes shall be made by the customer.

4.03 Repairs are to be made by Elgin Electronics ONLY.

4.04 When trouble is experienced the customer must disconnect the coupler from the jack to determine the cause of trouble and re-connect only when problem is corrected.

4.05 Should terminal equipment cause harm to the telephone network, the telephone company shall, where practicable, notify the customer that temporary discontinuance of service may be required; however, where prior notice is not practicable, the telephone company may temporarily discontinue service forthwith, if such action is reasonable in the circumstances. In case of such temporary discontinuance, the telephone company shall:

- promptly notify the customer of such temporary discontinuance.
- afford the customer the opportunity to correct the situation which gave rise to temporary discontinuance, and
- inform the customer of his right to bring complaint to the F.C.C. pursuant to the procedures set out in Subpart E of the Rules, Part 68.

4.06 If the telephone company makes change in facilities equipment, operation or procedures which render customer equipment incompatible with the telephone company facilities, the customer must be given written notice to allow the customer an opportunity to maintain uninterrupted service.

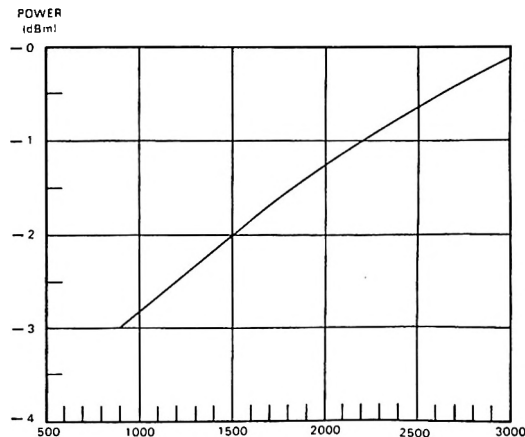


Fig. 4 — Allowable Maximum Power Available Versus Source Impedance

5. CIRCUIT DIAGRAM AND F.C.C. REGISTERED CONNECTING ARRANGEMENT

