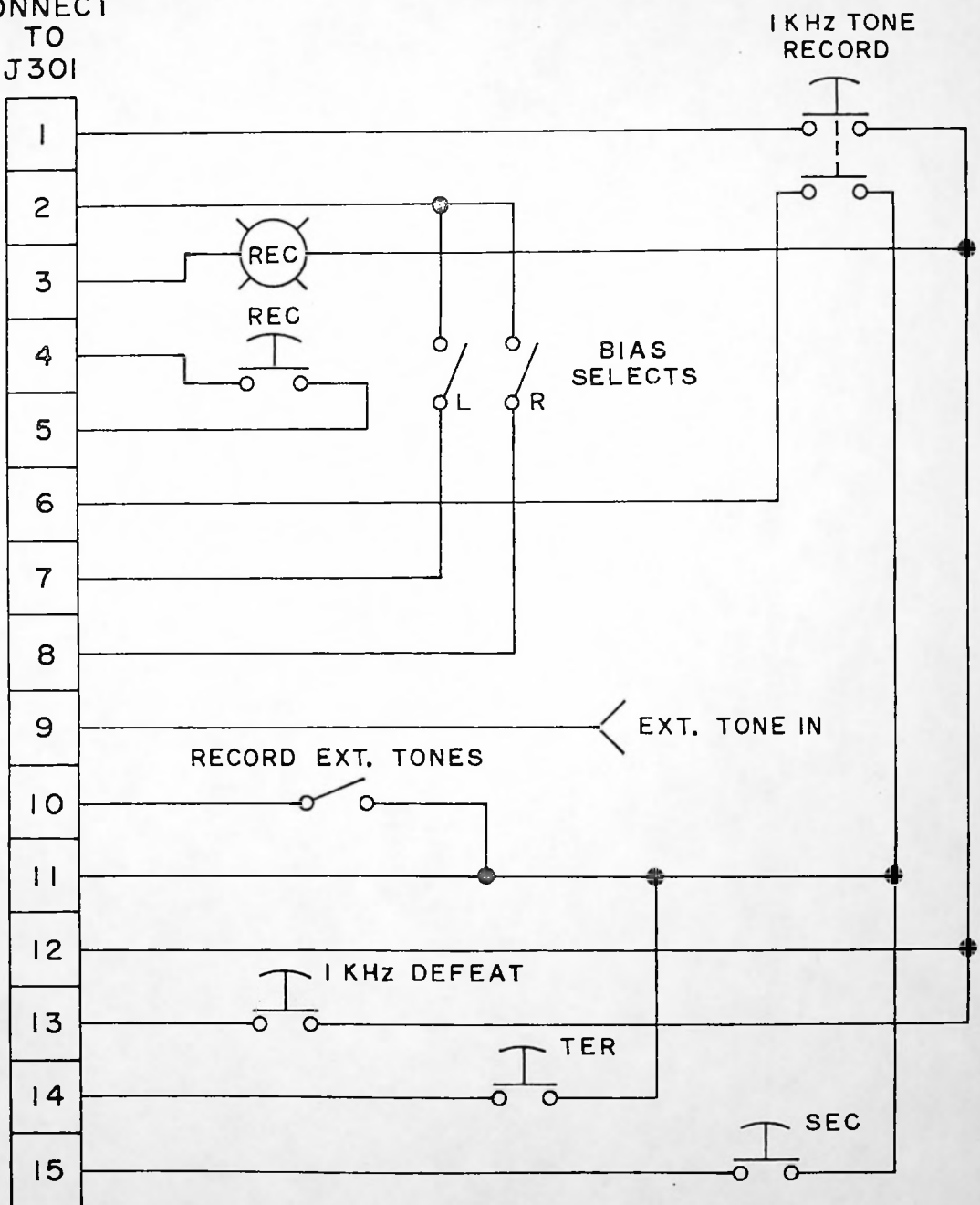


ADDENDUM
RA, WRA, SERIES RECORDING AMPLIFIERS

The following are corrections which need to be made to R/P series and RA, WRA series Technical Manuals:

1. Section II. D. terminal 14 should read:
"Remote Tertiary (8 kHz) Cue Tone Record -
requires connection to Pin 11 (+24 VDC)
for desired length of the recorded tone."
2. Section II. D, terminal 15 should read:
"Remote Secondary (150 Hz) Cue Tone Record -
requires connection to Pin 11 (+24 VDC)
for desired length of the recorded tone."
3. Figure 5-13 which is a sample remote control
schematic should be replaced with the attached
schematic.
4. A dot needs to be added on the cue oscillator
schematic which would indicate a junction of the
cathodes of Diodes CR501, CR502, CR503, and
CR504. The lines intersect but the dot on the
original schematic was omitted which would
indicate a junction.

CONNECT
TO
J301



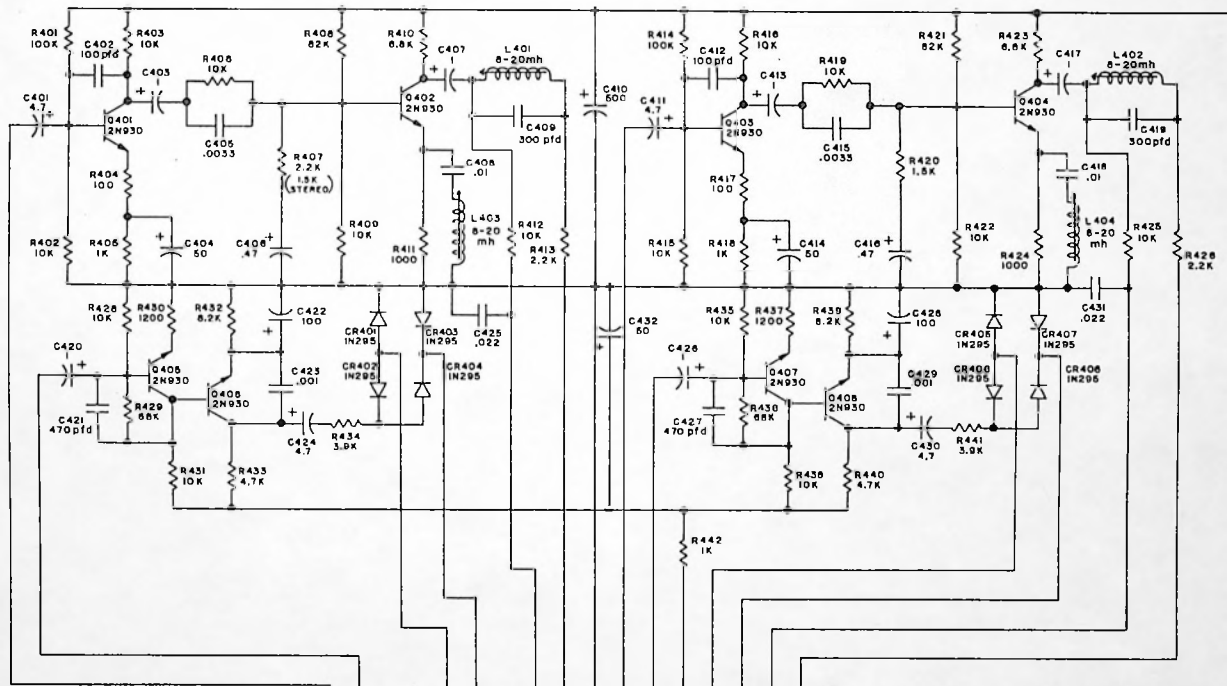
SAMPLE REMOTE CONTROL SCHEMATIC
RA, WRA & RP RECORDERS

LEFT PROGRAM
RECORD AMPLIFIER

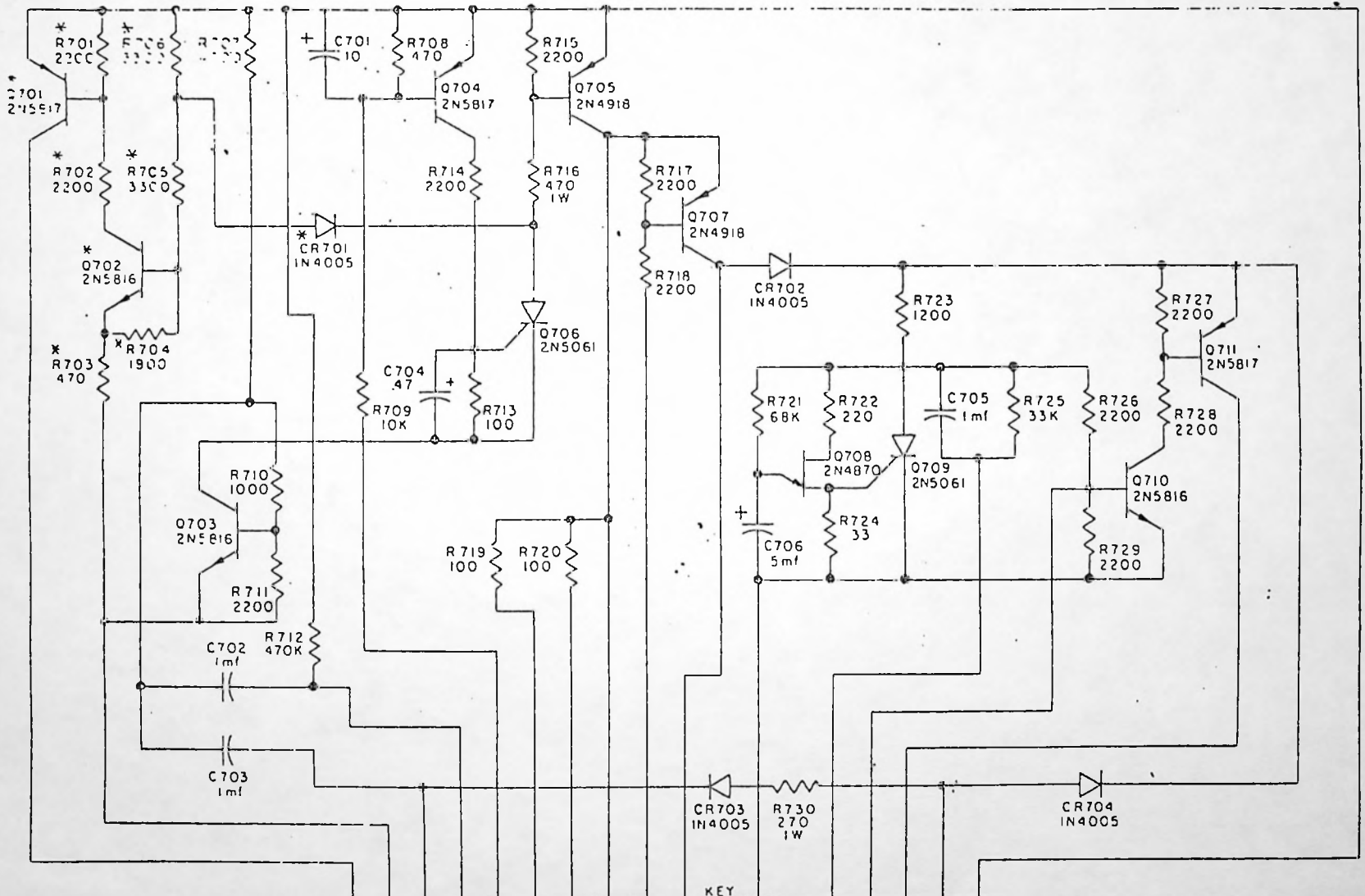
LEFT METER
AMPLIFIER

RIGHT PROGRAM
RECORD AMPLIFIER

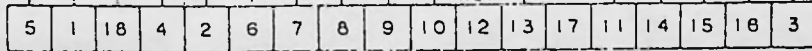
RIGHT METER
AMPLIFIER



7 9 13 14 10 11 REV 4 2 1 8 6 17 16 12 15 5 3 18



* USED ON HIGH-SPEED
CARD 831-0106-002



RECORD CONTROL CARD
893-0072-002