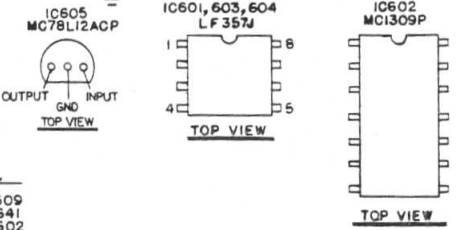


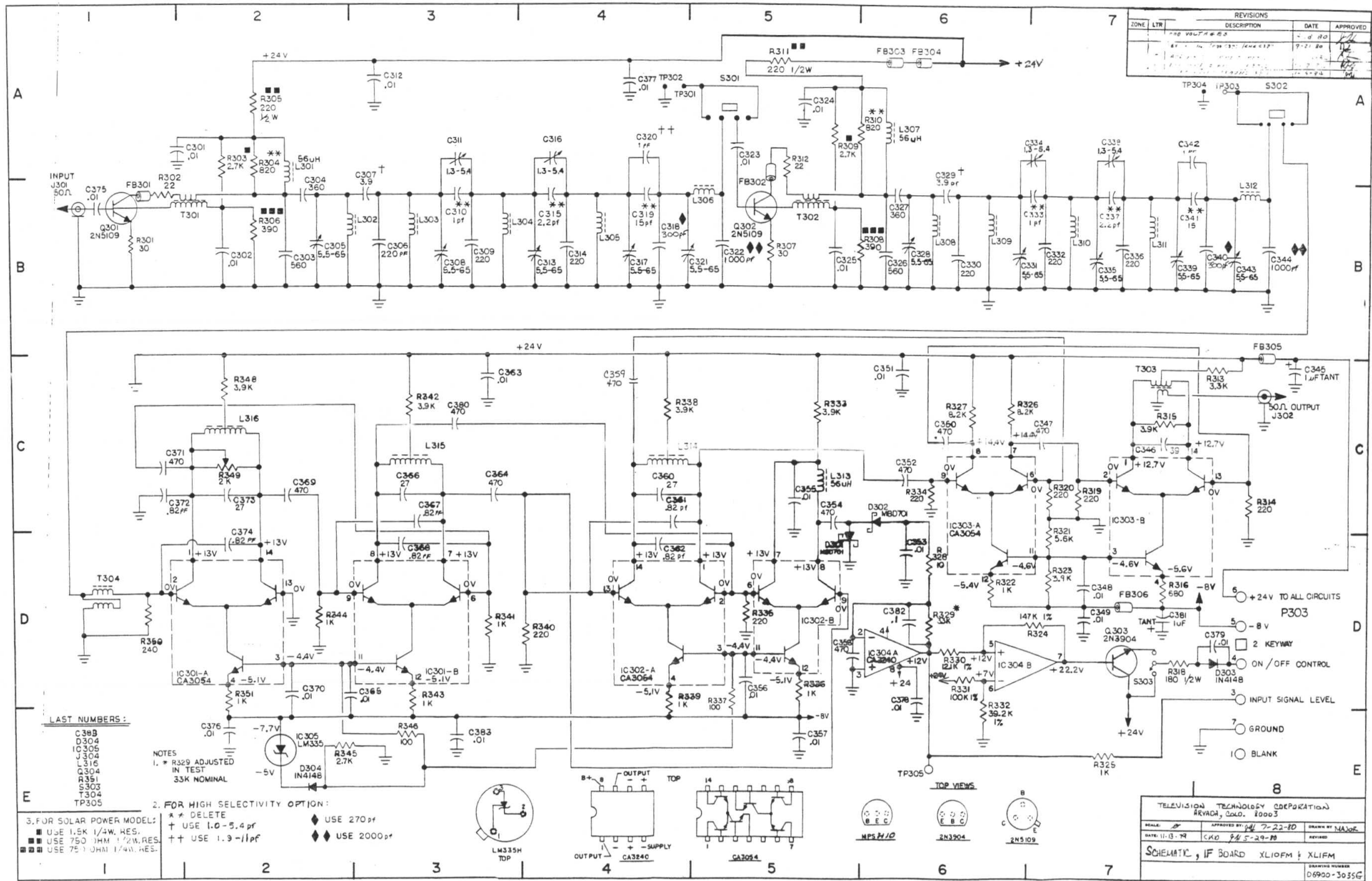
NOTES:
 1. * = 0-300V SCALE FOR 240V INPUT MODELS.
 2. UNLESS NOTED, ALL RESISTORS ARE 1/4W. 5%.
 3. UNLESS NOTED, ALL CAPACITORS ARE IN MICROFARADS.
 4. CAPACITORS MARKED M ARE MONOLITHIC TYPE.

LAST NOS.
 C622 P609
 D609 R641
 IC605 S602
 J601



C	000, P600 & J701	11-11-85	P/S
B	ADD LINE FROM P602 TO P606 AND 1/2 VALUES	9-17-80	P/S
A	ENG. IC605 DIAGRAM, R603, R606	7-17-78	P/S
REV	DESCRIPTION	DATE	BY
6 REVISIONS			

8			
TELEVISION TECHNOLOGY CORPORATION ARVADA, COLO. 80003			
SCALE: 1:1	APPROVED BY: 141 4-3-80	DRAWN BY MAJOR	
DATE:		REVISED	
SCHEMATIC METER + PC BD - XLIFM & XLIDFM			
DRAWING NUMBER			D6900-6035



REVISIONS				
ZONE	LTR	DESCRIPTION	DATE	APPROVED
1	1	REVISED	7-21-80	
1	2	REVISED	7-21-80	
1	3	REVISED	7-21-80	
1	4	REVISED	7-21-80	
1	5	REVISED	7-21-80	
1	6	REVISED	7-21-80	
1	7	REVISED	7-21-80	

- LAST NUMBERS:**
- C388
 - D304
 - IC305
 - J304
 - L316
 - Q304
 - R351
 - S303
 - T304
 - TP305

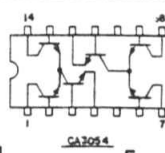
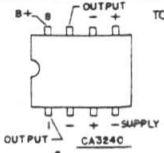
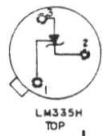
NOTES
 1. * R329 ADJUSTED IN TEST 33K NOMINAL

2. FOR HIGH SELECTIVITY OPTION:

- USE 1.6K 1/4W. RES.
- USE 750 OHM 1/2W. RES.
- USE 75 OHM 1/4W. RES.

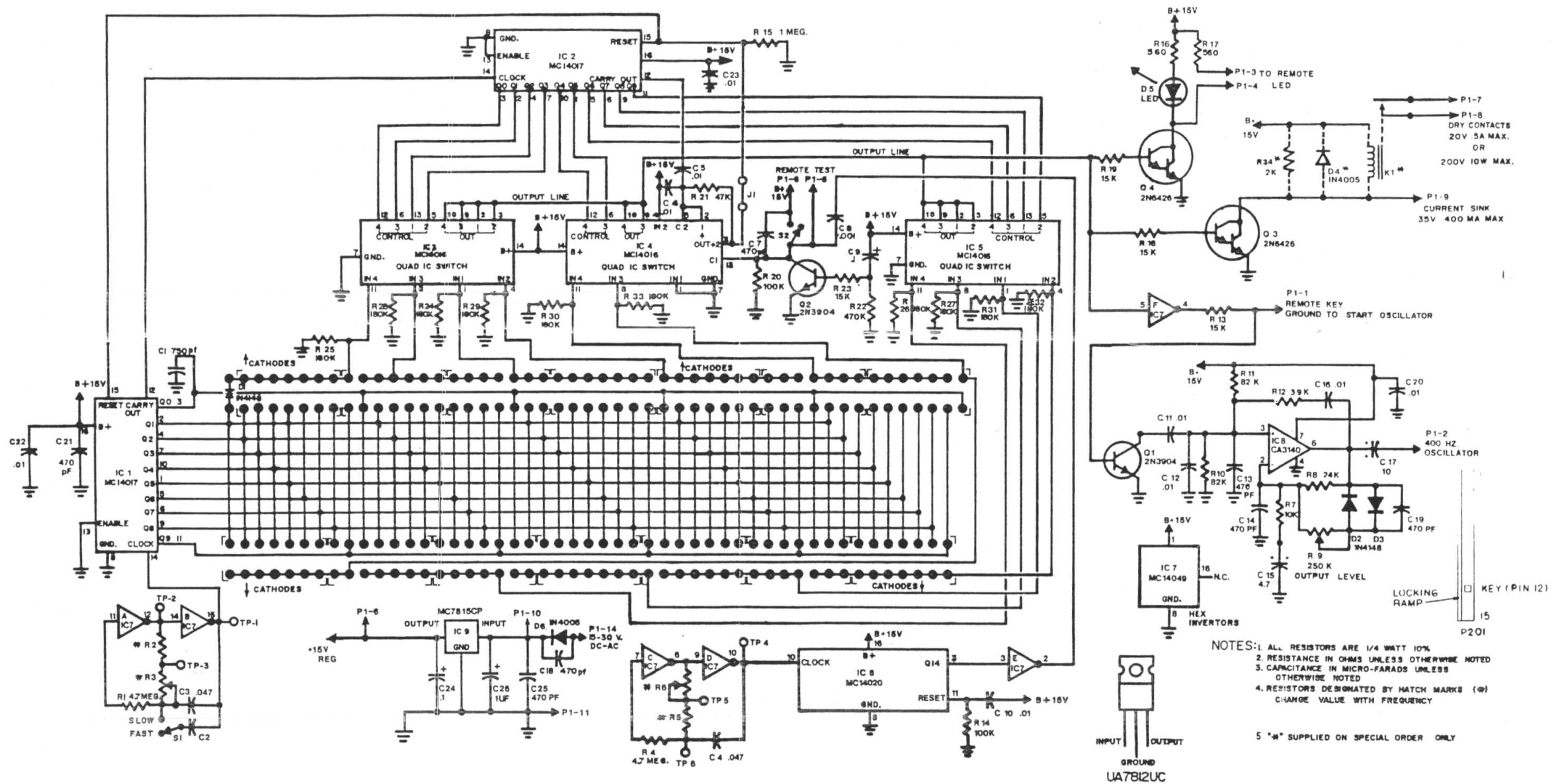
- * * DELETE
- + USE 1.0-5.4 pf
- ++ USE 1.3-11pf

- ◆ USE 270pf
- ◆◆ USE 2000pf

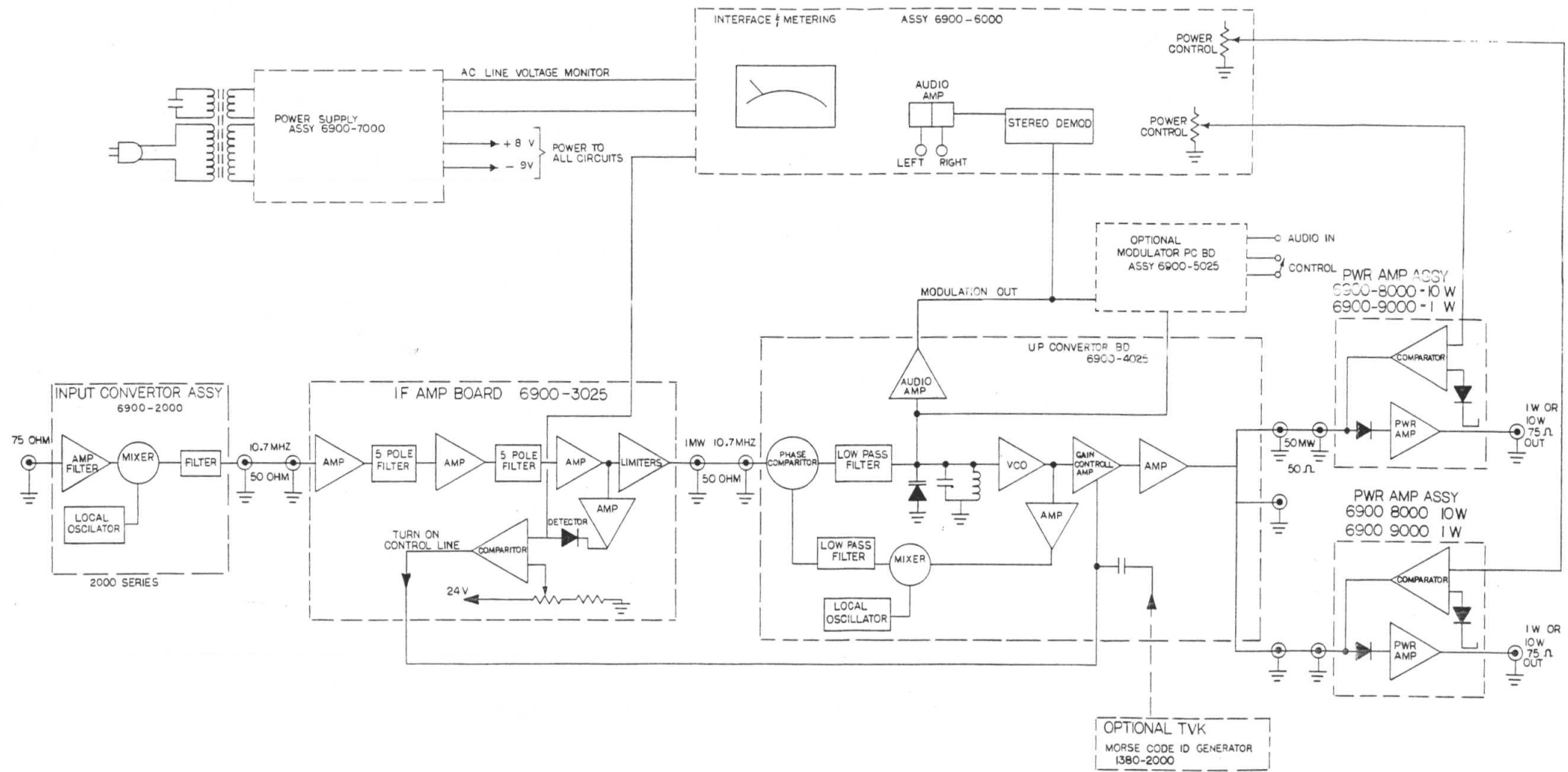


TELEVISION TECHNOLOGY CORPORATION			
REVADA, CALIF. 90003			
SCALE	APPROVED BY	DATE	DRAWN BY
		7-22-80	MAX
DATE: 11-8-79	CAO	845-29-10	REVISED
SCHEMATIC, IF BOARD XL10FM & XL1FM			DRAWING NUMBER
			D6900-3035G

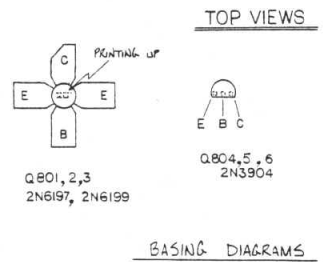
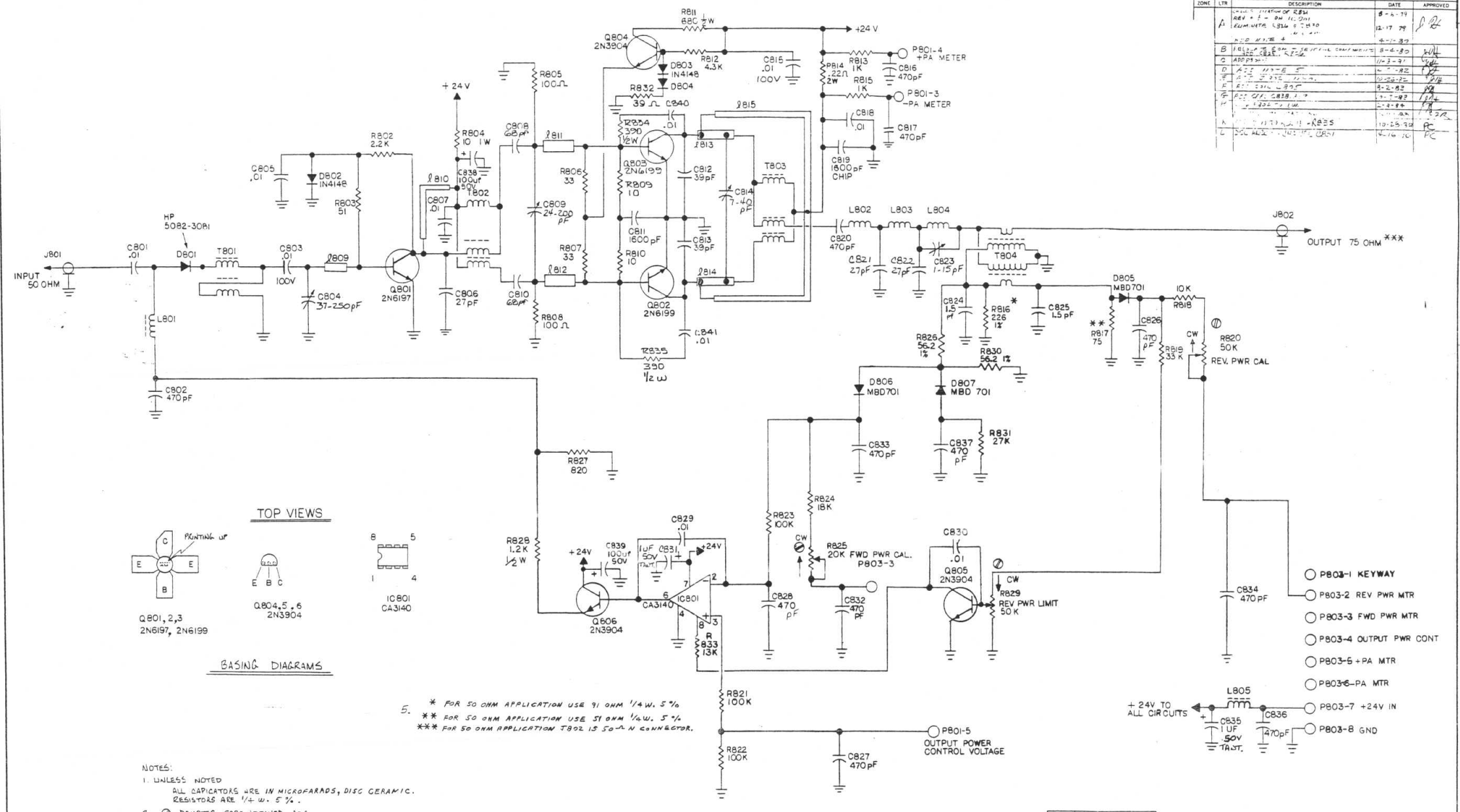
REVISIONS				
ZONE	LTR	DESCRIPTION	DATE	APPR
1		INITIAL CONNECTION AREA	9-28-83	



- NOTES:
1. ALL RESISTORS ARE 1/4 WATT 10%
 2. RESISTANCE IN OHMS UNLESS OTHERWISE NOTED
 3. CAPACITANCE IN MICRO-FARADS UNLESS OTHERWISE NOTED
 4. RESISTORS DESIGNATED BY HATCH MARKS (⊗) CHANGE VALUE WITH FREQUENCY
 5. "*" SUPPLIED ON SPECIAL ORDER ONLY



REVISIONS				
ZONE	LTR	DESCRIPTION	DATE	APPROVED
A		INITIAL REVISION OF R824	8-2-79	
A		REV # 2 - ON 10.01	12-17-79	
A		EXAMINATE R824 & R820		
B		REVISION OF R824	8-2-80	
C		ADDITIONAL	11-3-81	
D		ADD P803-5	4-7-82	
E		ADD P803-6	10-28-82	
F		ADD P803-7	9-2-82	
G		ADD P803-8	2-7-82	
H		ADD P803-9	2-2-86	
I		ADD P803-10	10-15-82	
L		ADD P803-11	4-16-76	



- * FOR 50 OHM APPLICATION USE 91 OHM 1/4 W. 5%
- ** FOR 50 OHM APPLICATION USE 51 OHM 1/4 W. 5%
- *** FOR 50 OHM APPLICATION T802 IS 50 OHM CONNECTOR.

- NOTES:**
- UNLESS NOTED ALL CAPACITORS ARE IN MICROFARADS, DISC CERAMIC. RESISTORS ARE 1/4 W. 5%.
 - ⊙ DENOTES SCREWDRIVER ADJ.
 - ▲ ARROW BY PUT DENOTES DIRECTION OF WIPER ARM ROTATION.
 - CAPACITORS MARKED M ARE MONOLITHIC TYPE.

Q	809-817
R	806
T	805
K	805
L	805
D	807
C	841
SYM	*
LAST NUMBERS	

TELEVISION TECHNOLOGY CORPORATION
ARVADA, COLO. - 80003

SCALE: 1:1
DATE: 5-7-79
APPROVED BY: [Signature]
DRAWN BY: MAJ
REVISED: [Signature]

SCHMATIC - 10 W AMP.

DRAWING NUMBER: 1
C6400-8035

