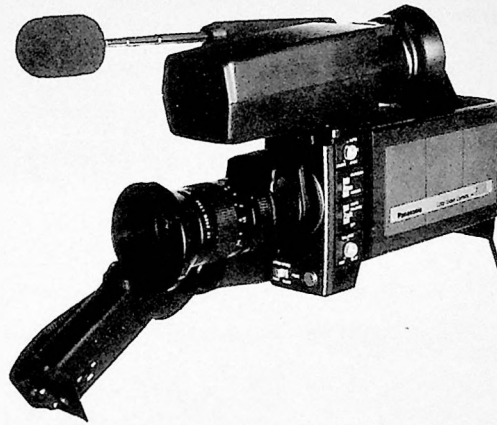


Service Manual

Vol. 4
**Replacement Parts List
Exploded View**
**Color Video Camera
WV-3110**


CONTENTS

PARTS LIST

● Miscellaneous	1
● Zoom Lens Unit	1
● Deflection Circuit Board (YWV3110PZK1)	2~4
● Process Circuit Board (YWV3110PZK2)	4~6
● Power Circuit Board (YWV3100PZK3)	6~7
● White Set Circuit Board (YWCC007ZK04)	7
● Preamplifier Circuit Board (YWCC007ZK04)	7
● Fade/Zoom Switch Board (YWCC008ZK06)	7
● Adjustable Handle Grip (YWV3100ZK07/YWV3100ZK08)	7~8
● E.V.F. Mounting Assembly	8
● E.V.F. Miscellaneous	8
● E.V.F. Circuit Board (YWV3100PZK8)	8~9
● E.V.F. Indicator Circuit Board (YWV3100PZK6)	9
● E.V.F. LED Circuit Board (YWV3100PZK7)	9
● Microphone Assembly	9
● Accessory Parts/Packaging Parts	9

EXPLODED VIEW

● Camera	10
● Electronic View Finder	11
● Microphone	11
● Adjustable Handle Grip	11
● Packaging	12

Panasonic[®]

Panasonic Company, Division of
Matsushita Electric Corporation of America
One Panasonic Way, Secaucus, NJ 07094

Panasonic Hawaii, Inc.
51238 Kaun. Street Ewa Beach P.O. Box 774
Honolulu, Hawaii 96808-0774

Panasonic Canada, Division of
Matsushita Electric of Canada Limited
5770 Ambler Drive Mississauga
Ontario Canada L4W 2T3

Panasonic Sales Company
Ave. 05 de Industrias Km. 9.7 Victoria Industrial Park
Caguas, Puerto Rico 00630

REPLACEMENT PARTS LIST

Important Notice

1. Components identified by Δ mark have special characteristics important for safety.
When replacing any of these components, use only manufacturer's specified parts.
2. Components identified by * mark are new parts used from this model.

MODEL WV-3110

SYM-BOL NO.	PART NO.	DESCRIPTION	SYM-BOL NO.	PART NO.	DESCRIPTION
MISCELLANEOUS			M027	YWCC701FM01A	Coil Holder A
			M028	YWCC701FR01A	Coil Holder B
			M029	YWB26E2	Vidicon Socket Cover
V001	S4094	Vidicon Tube	M030	YWCC701WB99	Crystal Holder Assembly
R004	ERD10TJ153	Carbon 15K Ω 1/8W	M031	YWV3100PFM1	EVF Mounting Base Screw
VR001,002	VN20E51030KB	Variable Resistor 30K Ω	M032	YWCC701AM07	Crystal Stopper
C001	ECQE16682N66	Metallized Polyester 0.0068 μ F 1600V	M033	YWCC701FM05	Control Pin
L001	ELY-18A205C	Deflection Coil	M034	YWCC701WB03A	Filter Cushion (X2)
SW002	YWSC1101U	Indoor/Outdoor Switch	M035	YWCC701AM03A	Shield Plate for Preamp
SW003	YWSC1101U	White Balance Switch	M037	YWCC701AM04	Vidicon Socket Shield Plate A
SW004	YWSSM0124U	VCR compatibility Switch	M038	YWCC701AM05	Vidicon Socket Shield Plate B
SW006	YSTS-J0282-4	AGC Switch	M039	YVZC601M03A	Indicating Plate for Standby Switch
CN001	YW-SJ296	External Mic Jack	M040	YWV3100PAM1	E.V.F. Mounting Base
CN002	YWRP6-10R-8S	8pin ALC Connector	M041	YWV3100PKR1	Mic Holder Base
CN003	YWSB-612J-01	Vidicon Socket	M042	*YWV3110PKR99	Bottom Cover Assembly for WV-3110USA
CN004	EMCU10B5T08	Camera Cable and Connector		*YWV3110CKR99	Bottom Cover Assembly for WV3110CANADA
CN007	YW-SJ296	Earphone Jack	M043	*YWCC100CM03	Bottom Chassis
CN802-JM	YWRP6-10R-8S	8pin E.V.F. Connector	M044	YWCC700HR05A	Push Knob
CN104-PF	EMCM0326C52	3pin Plug Female	M045	YW614060	Lens Mount Assembly
CN109-PF	EMCM0527D62	5pin Plug Female	M046	YW614043	CC Filter Assembly
CN110-PF	EMCM0327D62	3pin Plug Female	M047	YW614042	White Balance Filter Assembly
CN111-PF	ELY-18A205C	Connecting Wire Ass'y for CN111 and L001	M048	YW614046	Filter Axis Assembly
CN114-PF	EMCM0225B52	2pin Plug Female	M049	YWV3100PDB1	Rubber Cap
CN115-PF	EMCM0311D65	3pin Plug Female	M050	YWCLAMPER-M	Clamper
CN202-PF	EMCM0712C65X	7pin Plug Female	M051	YWCC701WB02	Filter Cushion A
CN203-PF	EMCM0519D63W	5pin Plug Female	M052	YWCC500LB17	Insulator paper for Vidicon Socket Cover
CN401-PF	EMCM0312D62W	3pin Plug Female	M053	Δ *YWV3110PUR1	Main Label
M002	YWCC700HR01	Handle Cover A	M096	Δ YWS-CULRB25	Caution Label
M003	YWCC700HR02	Handle Cover B	ZOOM LENS UNIT		
M004	YWCC700KR04	Upper Cover	M001	YWH6X12R5F1	Zoom Lens
M005	YWCC700CM02	Upper Chassis	M171	YW47B307000	Zoom Lever
M006	YWCC700CM01	Front Chassis	M172	YW59B300472	Zoom Band
M007	*YWV3110PKR2	Front Cover	M173	YW59B300471	Focus Band
M008	YWV3100PDM1	Front Logo Overlay	M174	YW57B313866	Rubber Cap
M009	*YWV3110PXXK2	Right Side Cover Assembly	M175	YW27B307001	Lens Hood
M010	*YWV3110PXXK3	Left Side Cover Assembly	M176	YW57B307002	Lens Cap
M011	YWV3302UM02	RGB Label	M177	YW11B307318	8pin Connector Assembly
M012	YWV3100PFR1A	Connector Holder for E.V.F.	M178	YW11B310868	Cover
M014	*YWCC100KR06	Rear Cover	M179	YW23B294868	Dressing Parts
M015	*YWCC100UM01	Rear Panel	M180	YW59B330475	Rubber Ring
M016	*YWCC100CM04	Rear Chassis			
M018	YWCC700AM05	Fastening Bracket for Circuit Board			
M019	YWCC800UR10	Control Panel			
M020	YWCC700HR03	Slide Knob (X2)			
M021	YWCC700WM01	Slide Spring A			
M022	YWCC700WM02	Slide Spring B			
M023	YWCC700HR04	Knob for Balance			
M024	YWCC800AM01	Mounting Bracket			
M025	YWV3204HR01	Knob for E.V.F. Mounting			
M026	YWCC701CM01B	Coil Chassis			

SYM-BOL NO.	PART NO.	DESCRIPTION	SYM-BOL NO.	PART NO.	DESCRIPTION
YWV3110PZK1 DEFLECTION CIRCUIT BOARD			R119,120	ERD10TJ331	Carbon 330Ω 1/8W
PCB001	*YWV3110PZK1	Printed Circuit Board	R121	ERD10TJ912	Carbon 9.1KΩ 1/8W
IC101	YHSNJM44558D	Integrated Circuit	R122	ERD10TJ183	Carbon 18KΩ 1/8W
IC102	JNM4560D	Integrated Circuit	R124	ERD10TJ223	Carbon 22KΩ 1/8W
IC103	AN6055	Integrated Circuit	R126	ERD10TJ105	Carbon 1MΩ 1/8W
IC104	NJM4456D	Integrated Circuit	R129,130	ERD10TJ332	Carbon 3.3KΩ 1/8W
IC105	NJM4456DT	Integrated Circuit	R131	ERD25FJ223	Carbon 22KΩ 1/4W
IC106	YHSNJM44558D	Integrated Circuit	R132	ERD10TJ332	Carbon 3.3KΩ 1/8W
IC107	AN6914	Integrated Circuit	R133	ERD10TJ562	Carbon 5.6KΩ 1/8W
IC108	NJM4456D	Integrated Circuit	R134	ERD10TJ154	Carbon 150KΩ 1/8W
Q101 ~ 104	2SD636-QRS	Transistor	R135,136	ERD10TJ563	Carbon 56KΩ 1/8W
Q105,106	2SC2377-CD	Transistor	R137	ERD10TJ562	Carbon 5.6KΩ 1/8W
Q107,108	2SA749A	Transistor	R138	ER025CKF1102	Metal 11KΩ 1/4W
Q109	2SC1980-RST	Transistor	R139	ER025CKF5601	Metal 5.6KΩ 1/4W
Q110,111	2SD636-QRS	Transistor	R140	ERD10TJ272	Carbon 2.7KΩ 1/4W
Q112	2SB641-QRS	Transistor	R141	ERD10TJ223	Carbon 22KΩ 1/4W
Q113	2SD636-QRS	Transistor	R142	ERD10TJ181	Carbon 180Ω 1/8W
Q114	2SB641-QRS	Transistor	R143	ER025CKF62R0	Metal 62Ω 1/4W
Q115	2SD638-QR	Transistor	R144	ERD10TJ223	Carbon 22KΩ 1/8W
Q116	2SD975	Transistor	R145	ERD10TJ101	Carbon 100Ω 1/8W
Q117	2SD638-QR	Transistor	R146	ERSB39J332	Thermal 3.3KΩ 1/8W
Q118	2SC1913A-RS	Transistor	R148	ERD10TJ274	Carbon 270KΩ 1/8W
Q119	2SD636-QRS	Transistor	R149	ERD10TJ910	Carbon 91Ω 1/8W
Q120	2SC1473NCQRS	Transistor	R150	ERD10TJ103	Carbon 10KΩ 1/8W
Q121	2SD636-QRS	Transistor	R151	ERD10TJ512	Carbon 5.1KΩ 1/8W
Q123	2SD661-TU	Transistor	R152	ERD10TJ681	Carbon 680Ω 1/8W
Q124	2SC2377-CD	Transistor	R153	ERD10TJ432	Carbon 4.3KΩ 1/8W
Q126	2SD636-QRS	Transistor	R154	ERD10TJ332	Carbon 3.3KΩ 1/4W
Q127	2SC1327-STU	Transistor	R155	ER025CKF2403	Metal 240KΩ 1/8W
Q128	2SA749A	Transistor	R156	ERD10TJ331	Carbon 330Ω 1/4W
Q129	2SD638-QR	Transistor	R157	ER025CKF33R0	Metal 33Ω 1/4W
Q130	2SC1383	Transistor	R158	ERD10TJ222	Carbon 2.2KΩ 1/8W
Q131 ~ 133	2SD636-QRS	Transistor	R159	ERD10TJ471	Carbon 470Ω 1/8W
Q134	2SC1327-STU	Transistor	R162	ERD10TJ272	Carbon 2.7KΩ 1/8W
Q135	2SC828-QRS	Transistor	R163	ERD10TJ153	Carbon 15KΩ 1/8W
Q136	2SB745-STU	Transistor	R164	ERD10TJ563	Carbon 56KΩ 1/4W
Q137	2SA719-QRS	Transistor	R165,166	ERD10TJ224	Carbon 220KΩ 1/8W
D101,102	MA165	Diode	R167	ERD10TJ133	Carbon 13KΩ 1/8W
D104,105	MA165	Diode	R168	ERD10TJ753	Carbon 75KΩ 1/8W
D109 ~ 112	MA165	Diode	R169	ERD10TJ222	Carbon 2.2KΩ 1/8W
R101,102	ERD10TJ103	Carbon 10KΩ 1/8W	R170	ERD10TJ102	Carbon 1KΩ 1/8W
R103	ERD10TJ123	Carbon 12KΩ 1/8W	R171	ERD10TJ222	Carbon 2.2KΩ 1/8W
R104	ERD10TJ822	Carbon 8.2KΩ 1/8W	R179	ERD10TJ103	Carbon 10KΩ 1/8W
R105	ERD10TJ224	Carbon 220KΩ 1/8W	R182	ERD10TJ303	Carbon 30KΩ 1/8W
R106	ERD10TJ333	Carbon 33KΩ 1/8W	R184	ERD10TJ472	Carbon 4.7KΩ 1/8W
R107	ERD10TJ303	Carbon 30KΩ 1/8W	R185	ERD10TJ105	Carbon 1MΩ 1/8W
R109,110	ERD10TJ152	Carbon 1.5KΩ 1/8W	R186	ERD10TJ153	Carbon 15KΩ 1/8W
R111	ERD10TJ473	Carbon 47KΩ 1/8W	R187	ERD10TJ472	Carbon 4.7KΩ 1/8W
R112	ERD10TJ103	Carbon 10KΩ 1/8W	R188	ERD10TJ103	Carbon 10KΩ 1/8W
R113	ERD10TJ682	Carbon 6.8KΩ 1/8W	R189	ERD10TJ223	Carbon 22KΩ 1/8W
R114	ERD10TJ152	Carbon 1.5KΩ 1/8W	R190	ERD10TJ333	Carbon 33KΩ 1/8W
R115	ERD10TJ563	Carbon 56KΩ 1/8W	R191	ERD10TJ103	Carbon 10KΩ 1/8W
R116	ERD10TJ182	Carbon 1.8KΩ 1/8W	R192	ERD10TJ391	Carbon 390Ω 1/8W
R117	ERD10TJ183	Carbon 18KΩ 1/8W	R193	ERD10TJ334	Carbon 330KΩ 1/8W
R118	ERD10TJ203	Carbon 20KΩ 1/8W	R194	ERD10TJ101	Carbon 100Ω 1/8W
			R198	ERD10TJ151	Carbon 150Ω 1/8W

SYM- BOL NO.	PART NO.	DESCRIPTION	SYM- BOL NO.	PART NO.	DESCRIPTION
R199	ERD25FJ225	Carbon 2.2M Ω 1/4W	VR120	YWH0651A10K	Variable Resistor 10K Ω
R1101	ERD10TJ2R2	Carbon 2.2 Ω 1/8W	VR121	YWH0651A68K	Variable Resistor 68K Ω
R1102	ERD10TJ472	Carbon 4.7K Ω 1/8W	BVR101	EVMD0GA00097	Block Variable Resistor
R1103	ERD10TJ392	Carbon 3.9K Ω 1/8W	C101	ECEA1HN010S	Electrolytic 1 μ F 50V
R1106	ERD10TJ104	Carbon 100K Ω 1/8W	C102,103	ECEA1ASS221	Electrolytic 220 μ F 10V
R1107	ERD10TJ153	Carbon 15K Ω 1/8W	C104	ECEA0JK101	Electrolytic 100 μ F 6.3V
R1108	ERD10TJ122	Carbon 1.2K Ω 1/8W	C105	ECEA1HK2R2	Electrolytic 2.2 μ F 50V
R1114	ERD10TJ682	Carbon 6.8K Ω 1/8W	C106	ECKF1H151KB	Ceramic 150pF 50V
R1115	ERD10TJ560	Carbon 56 Ω 1/8W	C107	ECEA1HSSR220	Electrolytic 0.22 μ F 50V
R1117	ERD10TJ470	Carbon 47 Ω 1/8W	C108	ECQV05103JZ	Plastic 0.01 μ F 50V
R1120	ERD10TJ182	Carbon 1.8K Ω 1/8W	C109	ECQV05563JZ	Plastic 0.056 μ F 50V
R1500	ERD10TJ563	Carbon 56K Ω 1/8W	C110	ECQP1122JZ	Polypropylene 1200pF 100V
R1520	ERD10TJ223	Carbon 22K Ω 1/8W	C111,112	ECEA1CSS100	Electrolytic 10 μ F 16V
R1521	ERD10TJ472	Carbon 4.7K Ω 1/8W	C115	ECEA1ASS470	Electrolytic 47 μ F 10V
R1522	ERD10TJ181	Carbon 180 Ω 1/8W	C116	ECEA2AS3R3	Electrolytic 3.3 μ F 100V
R1523	ERD10TJ184	Carbon 180K Ω 1/8W	C117	ECEA0JSS211	Electrolytic 220 μ F 6.3V
R1524	ERD10TJ154	Carbon 150K Ω 1/8W	C118	ECQE2473KS	Metal 0.047 μ F 250V
R1525	ERD10TJ562	Carbon 5.6K Ω 1/8W	C119	ECEA0JSS101	Electrolytic 100 μ F 6.3V
R1526	ERD10TJ222	Carbon 2.2K Ω 1/8W	C120	ECEA1ES101	Electrolytic 100 μ F 25V
R1527	ERD10TJ333	Carbon 33K Ω 1/8W	C121	ECSF10E10	Tantalum 10 μ F 10V
R1528	ERD10TJ363	Carbon 36K Ω 1/8W	C122	ECEA1AS221	Electrolytic 220 μ F 10V
R1529	ERD10TJ124	Carbon 120K Ω 1/8W	C124	ECEA1ESS4R7	Electrolytic 4.7 μ F 25V
R1530	ERD10TJ563	Carbon 56K Ω 1/8W	C127	ECEA10V33T	Electrolytic 33 μ F 10V
R1540	ERD10TJ223	Carbon 22K Ω 1/8W	C130	ECKF1H681KB	Ceramic 680pF 50V
R1541	ERD10TJ105	Carbon 1M Ω 1/8W	C131	ECEA1CSS100	Electrolytic 10 μ F 16V
R1542	ERD10TJ333	Carbon 33K Ω 1/8W	C132	ECEA0JSS101	Electrolytic 100 μ F 6.3V
R1543	ERD10TJ272	Carbon 2.7K Ω 1/8W	C133	ECEA1CSS100	Electrolytic 10 μ F 16V
R1544	ERD10TJ564	Carbon 560K Ω 1/8W	C134	ECEA0JSS221	Electrolytic 220 μ F 6.3V
R1545	ERD10TJ273	Carbon 27K Ω 1/8W	C135	ECKF1H102KB	Ceramic 1000pF 50V
R1546	ERD10TJ623	Carbon 62K Ω 1/8W	C136	ECEA1ASS470	Electrolytic 47 μ F 10V
R1550	ERD10TJ563	Carbon 56K Ω 1/8W	C137	ECSF3E68Z	Tantalum 68 μ F 3.15V
R1551	ERD10TJ101	Carbon 100 Ω 1/8W	C138	ECSF6E68Z	Tantalum 68 μ F 6.3V
R1152	ERD10TJ432	Carbon 4.3K Ω 1/8W	C139	ECQP1301JZ	Polypropylene 300pF 100V
R1553,1554	ERD10TJ512	Carbon 5.1K Ω 1/8W	C140	ECQP1331JZ	Polypropylene 330pF 100V
R1555	ERD10TJ273	Carbon 27K Ω 1/8W	C141	ECCF1H330J	Ceramic 33pF 50V
R1556	ERD10TJ330	Carbon 33 Ω 1/8W	C142	ECQV05224JZ	Plastic 0.22 μ F 50V
R1570	ERD10TJ222	Carbon 2.2K Ω 1/8W	C143	ECEA1CSS100	Electrolytic 10 μ F 16V
R1600	ERD10TJ151	Carbon 150 Ω 1/8W	C144	ECQK1224JG	Polyester 0.22 μ F 100V
J100	ERD18T0	Jumper Resistor	C145	ECKF1H102KB	Ceramic 1000pF 50V
J101	ERD14T0	Jumper Resistor	C146	ECEA1ASS470	Electrolytic 47 μ F 10V
BR101	EXBH87132JB	Block Resistor	C147	ECEA0JSS330	Electrolytic 33 μ F 6.3V
BR102	EXB-H89119JB	Block Resistor	C148	ECEA1HSS010	Electrolytic 1 μ F 50V
BR103	EXB-H85134JB	Block Resistor	C149	ECKF1H102KB	Ceramic 1000pF 50V
BR104	YWA100	Block Resistor	C150	ECEA1CSS100	Electrolytic 10 μ F 16V
BR105	EXB-LQ5202J	Block Resistor	C151	ECQV05224JZ	Plastic 0.22 μ F 50V
VR101,102	YWH0651A10K	Variable Resistor 10K Ω	C152	ECEA1EN4R7S	Electrolytic 4.7 μ F 25V
VR104	YWH0621A22K	Variable Resistor 22K Ω	C153	ECQV05103JZ	Plastic 0.01 μ F 50V
VR105	YWH0621A100	Variable Resistor 100 Ω	C154	ECEA1HSSR220	Electrolytic 0.22 μ F 50V
VR106	YWH0651A10K	Variable Resistor 10K Ω	C155	ECEA1ASS470	Electrolytic 47 μ F 10V
VR107	YWH0621A22K	Variable Resistor 22K Ω	C156	ECQP1752FZ	Polypropylene 7500pF 100V
VR108	YWH0621A100K	Variable Resistor 100K Ω	C157	ECEA1CSS100	Electrolytic 10 μ F 16V
VR109	YWH0651A3R3K	Variable Resistor 3.3K Ω	C168	ECEA1CSS100	Electrolytic 10 μ F 16V
VR110	YWH0651A1M	Variable Resistor 1M Ω	C171	ECEA1ASS331	Electrolytic 330 μ F 10V
VR112	YWH0651A2R2K	Variable Resistor 2.2K Ω	C172	ECSF10E47	Tantalum 47 μ F 10V
VR114	YWH0651A330K	Variable Resistor 330K Ω	C175	ECQE10103KV	Metal 0.01 μ F 1000V
VR116	YWGMS2MM	Variable Resistor 2M Ω			

SYM-BOL NO.	PART NO.	DESCRIPTION	SYM-BOL NO.	PART NO.	DESCRIPTION
C180	ECEA2AS010	Electrolytic 1 μ F 100V	IC210	YHSNJM4558D	Integrated Circuit
C182	ECEA0JSS470	Electrolytic 47 μ F 6.3V	IC211	MN6064	Integrated Circuit
C1000	ECEA1CSS100	Electrolytic 10 μ F 16V	Q201,202	2SC2377-CD	Transistor
C1001	ECEA0JSS220	Electrolytic 22 μ F 6.3V	Q203	2SD636-QRS	Transistor
C1002	ECEA1ESS4R7	Electrolytic 4.7 μ F 25V	Q204	2SD661-TU	Transistor
C1003	ECEA0JSS101	Electrolytic 100 μ F 6.3V	Q206	2SD636-QRS	Transistor
C1004	YWUAT06X103M	Ceramic 10000pF	Q207,208	2SC2377-CD	Transistor
C1005	ECQV05823	Metallized Plastic 0.082 μ F 50V	Q209	2SA838-CD	Transistor
C1006	ECEA1CSS100	Electrolytic 10 μ F 10V	Q210	2SC2377-CD	Transistor
L101	YWEL06SI8R2M	Inductor 8.2 μ H	Q211 ~ 214	2SD636-QRS	Transistor
L102	YWL10103JZ	Inductor 10mH	Q215	2SC2377-CD	Transistor
L103	ELQ333D008J	Inductor 33mH	Q216	2SD638-QRS	Transistor
L105	ELQ391D028	Inductor 390 μ H	Q217	2SB641-QRS	Transistor
T102	△ ECX-C0070	Fly-Back Transformer	Q218	2SB793A-RST	Transistor
F101	YWICPN50	Fuse 2A	Q219	2SD636-QRS	Transistor
CN101-JM	EMCS0551ML	5 pin Jack Male	Q220	2SB745-TU	Transistor
CN102-JM	EMCS0351ML	3 pin Jack Male	Q221,222	2SB641-QRS	Transistor
CN103-JM	EMCS0251ML	2 pin Jack Male	Q223	2SC2377-CD	Transistor
CN104-JM	EMCS0351ML	3 pin Jack Male	Q224	2SD636-QRS	Transistor
CN105-JM	EMCS0252M	2 pin Jack Male	Q225,226	2SD661-TU	Transistor
CN106-JM	EMCS0652M	6 pin Jack Male	Q227	2SD636-QRS	Transistor
CN107-JM	EMCS0452M	4 pin Jack Male	Q228	2SB641-QRS	Transistor
CN109-JM	EMCS0552M	5 pin Jack Male	D202	MA165	Diode
CN110-JM	EMCS0352M	3 pin Jack Male	D203	YWEZ-062	Diode
CN111-JM	EMCS0652M	6 pin Jack Male	D204 ~ 207	MA165	Diode
CN114-JM	EMCS0252M	2 pin Jack Male	X201	YWNC1814R3CL	Crystal
CN115-JM	EMCS0352M	3 pin Jack Male	R201	ERD10TJ391	Carbon 390 Ω 1/8W
CN010-PF	EMCM0708D43V	Connecting Wire Ass'y for CN010, B1103 and CN207	R202	ERD10TJ103	Carbon 10K Ω 1/8W
CN106-PF	EMCU1085T08	Connecting Wire Ass'y for CN106, CN004 and CN209	R203,204	ERD10TJ561	Carbon 560 Ω 1/8W
B1101	EMCM0614D62V	Connecting Wire Ass'y for B1101 and CN206	R205	ERD10TJ103	Carbon 10K Ω 1/8W
B1102	EMCM0613C44V	Connecting Wire Ass'y for B1101 and CN205	R206	ERD25FJ392	Carbon 3.9K Ω 1/4W
B1103	EMCM0708D43V	Connecting Wire Ass'y for B1103, CN207 and CN010	R207	ERD10TJ562	Carbon 5.6 Ω 1/8W
M013	*YFV2PA0007A4	Insulator Paper	R208	ERD10TJ331	Carbon 330 Ω 1/8W
YWV3110PZK2 PROCESS CIRCUIT BOARD			R209	ERD10TJ431	Carbon 430 Ω 1/8W
			R210	ERD10TJ102	Carbon 1K Ω 1/8W
			R211	ERD25FJ562	Carbon 5.6K Ω 1/4W
			R212	ERD10TJ224	Carbon 220K Ω 1/8W
			R213	ERD25FJ561	Carbon 560 Ω 1/4W
			R214	ERD10TJ102	Carbon 1K Ω 1/8W
			R215	ERD10TJ183	Carbon 18K Ω 1/8W
			R216	ERD10TJ822	Carbon 8.2K Ω 1/8W
			R217	ERD25FJ331	Carbon 330 Ω 1/4W
			R218	ERD25FJ821	Carbon 820 Ω 1/4W
PCB002	*YWV3110PZK2	Printed Circuit Board Assembly	R219	ERD10TJ102	Carbon 1K Ω 1/8W
IC201	AN614	Integrated Circuit	R221	ERSB39J102	Thermal 1K Ω
IC202	YNJM4556D	Integrated Circuit	R222	ERD10TJ104	Carbon 100K Ω 1/8W
IC203	AN6031	Integrated Circuit	R223	ERD10TJ471	Carbon 470 Ω 1/8W
IC204	AN6012 or AN6012F	Integrated Circuit	R224	YWLF14F1001	Metal 1K Ω 1/4W
IC205	AN6015 or AN6015F	Integrated Circuit	R225	ERD10TJ393	Carbon 39K Ω 1/8W
IC206	YHSNJM4558D	Integrated Circuit	R226	YWLF14F1001	Metal 1K Ω 1/4W
IC207	AN6022	Integrated Circuit	R227	ERD10TJ332	Carbon 3.3K Ω 1/8W
IC208	AN6045	Integrated Circuit	R228	ERD10TJ561	Carbon 560 Ω 1/8W
IC209	AN6914	Integrated Circuit	R229	ERD10TJ103	Carbon 10K Ω 1/8W
			R230	ERD10TJ272	Carbon 2.7K Ω 1/8W

SYM-BOL NO.	PART NO.	DESCRIPTION	SYM-BOL NO.	PART NO.	DESCRIPTION
R231	ERD10TJ102	Carbon 1K Ω 1/8W	R1202	ERD10TJ563	Carbon 56K Ω 1/8W
R232	ERD10TJ393	Carbon 39K Ω 1/8W	R1210	ERD10TJ223	Carbon 22K Ω 1/8W
R233	ERD10TJ752	Carbon 7.5K Ω 1/8W	R1250	ERD10TJ103	Carbon 10K Ω 1/8W
R234	ERD10TJ331	Carbon 330 Ω 1/8W	J203	ERD18T0	Jumper Resistor
R235	ERD10TJ562	Carbon 5.6K Ω 1/8W	TH201	ERTD2FHL103S	Thermister 10K
R236	ERD25FJ100	Carbon 10 Ω 1/4W	BR201	EXBH86126JB	Block Resistor
R237	ERD10TJ331	Carbon 330 Ω 1/8W	BR202	EXBH86118KB	Block Resistor
R238	ERD10TJ472	Carbon 4.7K Ω 1/8W	BR203	EXBH88117KB	Block Resistor
R239	ERD10TJ822	Carbon 8.2K Ω 1/8W	BR204	EXBH86126JB	Block Resistor
R240	ERD10TJ913	Carbon 91K Ω 1/8W	BR205	EXBH85224JB	Block Resistor
R241	ERD10TJ102	Carbon 1K Ω 1/8W	BR206	EXBH85222JB	Block Resistor
R242 ~ 244	ERD10TJ562	Carbon 5.6K Ω 1/8W	BR207	EXBH83188JB	Block Resistor
R247,248	ERD10TJ393	Carbon 39K Ω 1/8W	BR208	EXBH85138JB	Block Resistor
R249	ERD10TJ331	Carbon 330 Ω 1/8W	BR209	EXBH84194JB	Block Resistor
R250	ERD10TJ561	Carbon 560 Ω 1/8W	BR210	EXBH83168JB	Block Resistor
R251	ERD10TJ471	Carbon 470 Ω 1/8W	BR211	EXBH88190JB	Block Resistor
R252	ERD10TJ681	Carbon 680 Ω 1/8W	BR212	EXBH86193JB	Block Resistor
R253	ERD10TJ273	Carbon 27K Ω 1/8W	BR213	EXBH85157JB	Block Resistor
R254	ERD10TJ102	Carbon 1K Ω 1/8W	BR214	EXBH86158JB	Block Resistor
R256,257	ERD10TJ104	Carbon 100K Ω 1/8W	BR215	EXBH84196JB	Block Resistor
R259	ERD10TJ303	Carbon 30K Ω 1/8W	BR216	EXBH84195JB	Block Resistor
R260,261	ERD10TJ203	Carbon 20K Ω 1/8W	BR217	EXBH84161JB	Block Resistor
R262	ERD25FJ183	Carbon 18K Ω 1/4W	BR218	EXBH86179JB	Block Resistor
R263	ERD10TJ183	Carbon 18K Ω 1/8W	BR219	EXBH85163JB	Block Resistor
R264	ERD10TJ750	Carbon 75 Ω 1/8W	VR201	YWH0651A4R7K	Variable Resistor 4.7K Ω
R265	ERD10TJ473	Carbon 47K Ω 1/8W	VR202,203	SWH0651A10K	Variable Resistor 10KM
R266	ERD10TJ223	Carbon 22K Ω 1/8W	VR204 ~ 207	YWH0651A22K	Variable Resistor 22K Ω
R267	ERD10TJ124	Carbon 120K Ω 1/8W	VR208 ~ 215	YWH0651A100K	Variable Resistor 100K
R268	ERD10TJ684	Carbon 680K Ω 1/8W	VR216,217	YWH0651A3R3K	Variable Resistor 3.3K Ω
R269	ERD10TJ103	Carbon 10K Ω 1/8W	VR218	YWH0651A1K	Variable Resistor 1K Ω
R270	ERD10TJ103	Carbon 10K Ω 1/8W	VR219	YWH0651A10K	Variable Resistor 10K Ω
R271	YWLF14F7501	Metal 7.5K Ω 1/4W	VR220	YWH0651A470	Variable Resistor 470 Ω
R272	YWLF14F1602	Metal 16K Ω 1/4W	VR221	YWH0651A10K	Variable Resistor 10K Ω
R273	ERD10TJ512	Carbon 5.1K Ω 1/8W	VR222	YWH0651A47K	Variable Resistor 47K Ω
R274	ERD10TJ103	Carbon 10K Ω 1/8W	VR223	YWH0651A2R2K	Variable Resistor 2.2K Ω
R275	ERD10TJ203	Carbon 20K Ω 1/8W	VR224	YWH0651A47K	Variable Resistor 47K Ω
R276	ERD10TJ102	Carbon 1K Ω 1/8W	VR225,226	YWH0651A100K	Variable Resistor 100K Ω
R277	ERD10TJ332	Carbon 3.3K Ω 1/8W	VR227	YWH0651A22K	Variable Resistor 22K Ω
R278	YWLF14F9100	Metal 910 Ω 1/4W	VR228	YWH0651A47K	Variable Resistor 47K Ω
R279	ERSB39J102	Thermal 1K Ω	VR229	YWH0651A680K	Variable Resistor 680K Ω
R281,282	ERD10TJ103	Carbon 10K Ω 1/8W	C201 ~ 204	ECKF1H222MD	Ceramic 2200pF 50V
R283	ERD10TJ223	Carbon 22K Ω 1/8W	C205,206	ECCF1H020C	Ceramic 2pF 50V
R284,285	ERD10TJ103	Carbon 10K Ω 1/8W	C207	ECEA1CK100	Electrolytic 10 μ F 16V
R286	ERD10TJ133	Carbon 13K Ω 1/8W	C208	ECQV05393JZ	Plastic 0.039 μ F 50V
R287	ERD25FJ473	Carbon 47K Ω 1/4W	C209	ECEA1AN220S	Electrolytic 22 μ F 10V
R288	ERD10TJ133	Carbon 13K Ω 1/8W	C210	ECEA0JS470	Electrolytic 47 μ F 6.3V
R289	YWLF14F1001	Metal 1K Ω 1/4W	C211	ECQV05393JZ	Plastic 0.039 μ F 50V
R290	ERD10TJ102	Carbon 1K Ω 1/8W	C212	ECSF10E47	Tantalum 47 μ F 10V
R291	ERD10TJ561	Carbon 560 Ω 1/8W	C215	ECEA0JS470	Electrolytic 47 μ F 6.3V
R292	ERD10TJ103	Carbon 10K Ω 1/8W	C216	ECEA0JK220	Electrolytic 22 μ F 6.3V
R293	ERD10TJ132	Carbon 1.3K Ω 1/8W	C218	ECEA1CK100	Electrolytic 10 μ F 16V
R294	ERD10TJ103	Carbon 10K Ω 1/8W	C219	ECEA0JK220	Electrolytic 22 μ F 6.3V
R295	ERSB39J152	Thermal 1.5K Ω	C220	ECEA0JS470	Electrolytic 47 μ F 6.3V
R296	ERD10TJ182	Carbon 1.8K Ω 1/8W	C221,222	ECKF1H222MD	Ceramic 2200pF 50V
R297	ERD10TJ822	Carbon 420K Ω 1/8W	C223	ECQV05103JZ	Plastic 0.01 μ F 50V
R298	ERD25FJ683	Carbon 68K Ω 1/4W	C224 ~ 226	ECQV05393JZ	Plastic 0.039 μ F 50V
			C227	ECEA1CK100	Electrolytic 10 μ F 16V

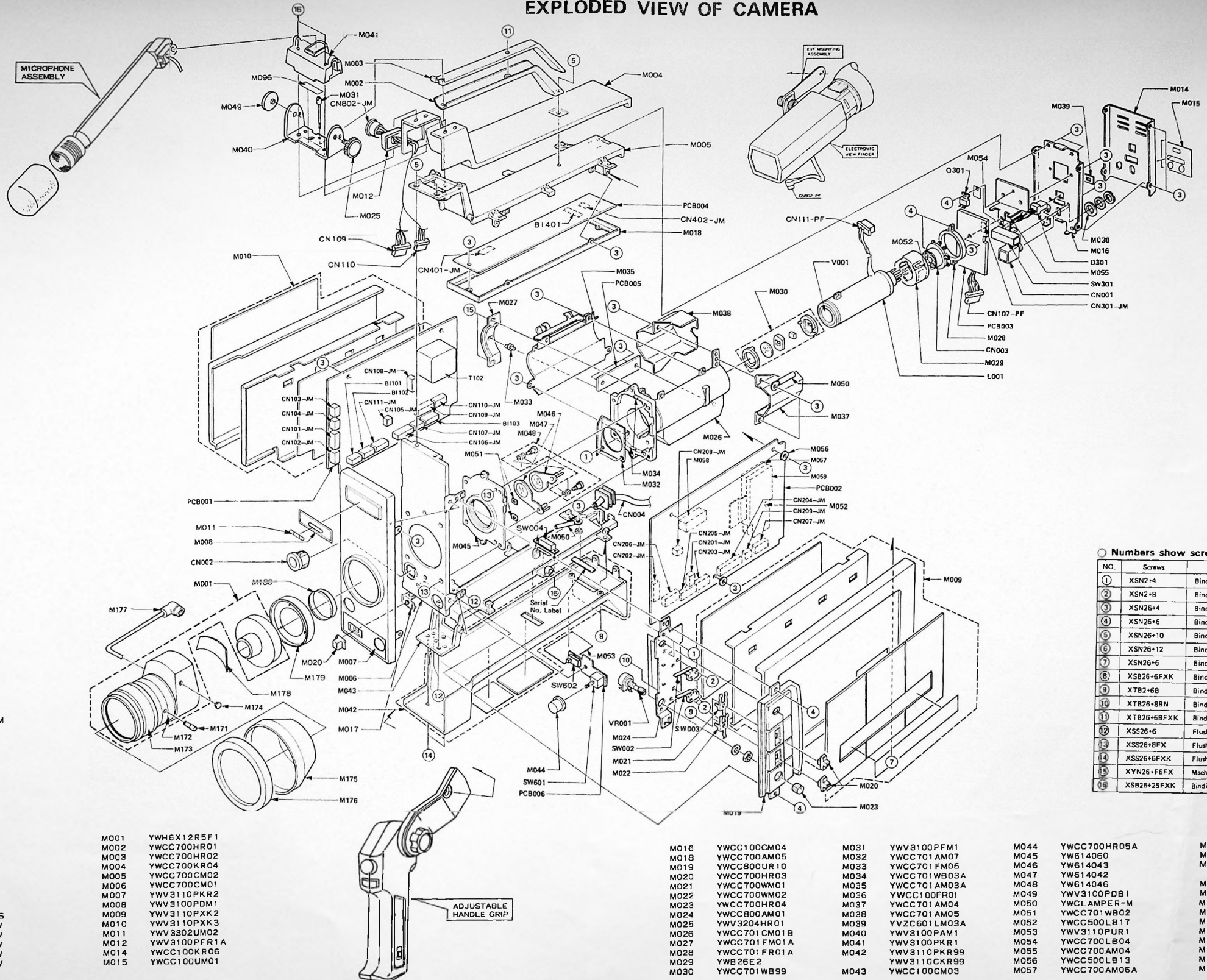
SYM-BOL NO.	PART NO.	DESCRIPTION			SYM-BOL NO.	PART NO.	DESCRIPTION
C228	ECEA0JS470	Electrolytic	47 μ F	6.3V	LC201	YWLCF034	Block Filter
C229	ECSF6E4R7	Tantalum	4.7 μ F	6.3V	LC202	YWLCF210	Block Filter
C230	ECKF1H102KB	Ceramic	1000pF	50V	LC203	YWLCF032	Block Filter
C231	ECKF1H222MD	Ceramic	2200pF	50V	LC204	YWLCF080	Block Filter
C232	ECSF6E47	Tantalum	47 μ F	6.3V	LC205	YWLCF096	Block Filter
C233	ECEA1HK010	Electrolytic	1 μ F	50V	LC206	YWLCF050A	Block Filter
C235	ECEA1CN100S	Electrolytic	10 μ F	16V	LC207	YWLCF095A	Block Filter
C236	ECKF1H221KB	Ceramic	220pF	50V	LC208	YWLCF033	Block Filter
C237	ECEA0JS470	Electrolytic	47 μ F	6.3V	LC209	YWLCF215	Block Filter
C238	ECEA1AS330	Electrolytic	33 μ F	10V	LC210	WELCF032	Block Filter
C239	ECEA0JS102	Electrolytic	1000 μ F	6.3V	DL201	EFDPN645B85A	Delay Line
C240	ECEA1AS330	Electrolytic	33 μ F	10V	DL202	EFDRN645B85A	Delay Line
C241	ECEA1AS470	Electrolytic	47 μ F	10V	T201	ELT7Q701A	Intermediate Frequency Transformer
C242	ECEA1AS330	Electrolytic	33 μ F	10V			
C243	ECEA1CK100	Electrolytic	10 μ F	16V	CN201-JM	EMCS0452M	4 pin Jack Male
C244	ECQV05393JZ	Plastic	0.39 μ F	50V	CN202-JM	EMCS0752M	7 pin Jack Male
C245	ECEA1CN100S	Electrolytic	10 μ F	16V	CN203-JM	EMCS0552M	5 pin Jack Male
					CN204-JM	EMCS0952M	9 pin Jack Male
C246	ECCF1H240JC	Ceramic	24pF	50V			
C247	ECEA1AS330	Electrolytic	33 μ F	10V	CN205-JM,	EMCS0652M	6 pin Jack Male
C248	ECCF1H100JC	Ceramic	10pF	50V	206-JM		
C249,250	ECCF1H121J	Ceramic	120pF	50V	CN207-JM	EMCS0752M	7 pin Jack Male
C251	ECCF1H330J	Ceramic	33pF	50V	CN208-JM,	EMCS0252M	2 pin Jack Male
				209-JM			
C252,253	ECCF1H060D	Ceramic	6pF	50V	CN010-PM	EMCM0205D42Y	2 pin Plug Male
C254	ECKF1H102KB	Ceramic	1000pF	50V	CN204-PF	EMCM0912D62V	Connecting Wire Assy for CN204 and B1401
C255	ECCF1H060D	Ceramic	6pF	50V			
C256	ECKF1H561KB	Ceramic	560pF	50V			
C257	ECEA1AS330	Electrolytic	33 μ F	10V	CN205-PF	EMCM0613C62V	Connecting Wire Assy for CN205 and B1102
C258	ECKF1H561KB	Ceramic	560pF	50V	CN206-PF	EMCM0614D62V	Connecting Wire Assy for CN206 and B1101
C259	ECCF1H030JC	Ceramic	3pF	50V			
C260	ECKF1H271KB	Ceramic	270pF	50V	CN207-PF	EMCM0708D43V	Connecting Wire Assy for CN207, B1103 and CN010
C261	ECEA16V10T	Electrolytic	10 μ F	16V			
C262	ECCF1H150JC	Ceramic	15pF	50V	CN208-PF	EMCM0244D62	2 pin Plug Female
					CN209-PF	EMCU10B5T08	Connecting Wire Assy for CN209, CN004 and CN106
C263	ECEA0JK220	Electrolytic	22 μ F	6.3V			
C264,265	ECEA16V10T	Electrolytic	10 μ F	10V			
C266 ~ 268	ECKF1H222MD	Ceramic	2200pF	50V	CN301-PF	EMCM0211B52	2 pin Plug Female
C269	ECEA0JS470	Electrolytic	47 μ F	6.3V	CN402-PF	EMCM0316D62T	3 pin Plug Female
C271	ECKF1H102KB	Ceramic	1000pF	50V	M052	YWCC500LB17	Sync Shield Insulator paper
					M056	YWCC500LB13	Insulator Washer
C272	ECSF6E4R7	Tantalum	4.7 μ F	6.3V	M057	YWCC700AM06A	Sync Shield Plate A
C273	ECCF1H050D	Ceramic	5pF	50V			
C274	ECCF1H010C	Ceramic	1pF	50V	M058	YWCC700AM07	Process Shield Plate
C276	ECKF1H102KB	Ceramic	1000pF	50V	M059	YWCC700AM08	Sync Shield Plate B
C2100	ECKF1H222MD	Ceramic	2200pF	50V			
VC201	ECV1NW40X74B	Trimmer Capacitor	40pF				
VC202	ECV1ZW20X53N	Trimmer Capacitor	20pF				
VC203	ECV1NW40X74B	Trimmer Capacitor	40pF				
L201	YWL515J	Inductor	15 μ H				
L202	YWEL06S1150J	Inductor	15 μ H				
L203	ELES150K	Inductor	15 μ H				
L204	YWL58R2J	Inductor	8.2 μ H				
L205,206	ELQ-1B1D014J	Inductor	180 μ H				
L207	YWL58R2J	Inductor	8.2 μ H				
L208 ~ 211	YWL515J	Inductor	15 μ H				
L212,213	YWL58R2J	Inductor	8.2 μ H				
L214	YWEL06S12R2M	Inductor	2.2 μ H				
L215	YWL522J	Inductor	22 μ H				
YWV3100PZK3 POWER CIRCUIT BOARD							
PCB003	YWV3100PZK3	Printed Circuit Board Assembly					
Q301	2SA1061-P	Transistor					
D301	LN217RP	Light Emitting Diode					
R301	ERD10TJ222	Carbon	2.2K Ω	1/8W			
R302	ERD10TJ221	Carbon	220 Ω	1/8W			
R303	ERD10TJ102	Carbon	1K Ω	1/8W			
SW301	YWSSB0229LP	Standby Switch					
LC301	ELT7F002	Frequency Trap					
CN301-JM	EMCS0251ML	2pin Jack Male					
B1301	EMCM0414D63V	Connecting Wire Assy for B1301, CN107 and CN105					

SYM-BOL NO.	PART NO.	DESCRIPTION	SYM-BOL NO.	PART NO.	DESCRIPTION		
CN105-PF	EMCM0414D63V	Connecting Wire Ass'y for CN105, CN107 and B1301	YWCC007ZK05 PREAMPLIFIER CIRCUIT BOARD				
CN107-PF	EMCM0414D63V	Connecting Wire Ass'y for CN107, CN105 and B1301					
M036	YWCC100FR01	Insulator Washer	PCB005	YWCC007ZK05	Printed Circuit Board Assembly		
M054	YWCC700LB04	LED Spacer	IC501	EHMK720A57	Integrated Circuit		
M055	YWCC700AM04	Heat Sink	Q501	2SK218-QR	Transistor		
YWVCC007ZK04 WHITE SET CIRCUIT BOARD			D501	MA26	Diode		
			R501	ERD25FJ565	Carbon	5.6M Ω	1/4W
PCB004	YWCC007ZK04	Printed Circuit Board Assembly	R502	ERD10TJ104	Carbon	100K Ω	1/8W
IC401	YWMC14027BCP	Integrated Circuit	R503	ER050CKG2704	Metal	2.7M Ω	1/2W
IC402	YWMC14011BCP	Integrated Circuit	R504	ERD10TJ181	Carbon	180 Ω	1/8W
IC043,404	YWMC14520BCP	Integrated Circuit	R505	ERD10TJ683	Carbon	68K Ω	1/8W
Q401,402	2SD636-QRS	Transistor	C501	ECQE1333JN	Metal	0.033 μ F	100V
Q403,404	2SD661-TU	Transistor	C502	ECEA1HKR22	Electrolytic	0.22 μ F	50V
Q405	2SD636-QRS	Transistor	C503	ECSF6E47Z	Tantalum	47 μ F	6.3V
Q406	2SB745-TU	Transistor	C505	ECSF6E47Z	Tantalum	47 μ F	6.3V
Q407,408	2SD636-QRS	Transistor	C506	ECSF10E47Z	Tantalum	47 μ F	10V
Q409,410	2SB745-TU	Transistor	C507	ECCF1H060CC	Ceramic	6pF	50V
Q411	2SD636-QRS	Transistor	C508	ECSF10E4R7	Tantalum	4.7 μ F	10V
D401 ~ 411	MA165	Diode	C509	ECSF10E47Z	Tantalum	47 μ F	10V
R401	YWEF14F1503	Film	C510	ECCF1H020CC	Ceramic	2pF	50V
R402	YWEF14F3003	Film	C511	ECCF1H220JC	Ceramic	22pF	50V
R403	YWEF14F6003	Film	C512	ECSF6E47Z	Tantalum	47 μ F	6.3V
R404	YWEF14G125	Film	VC501	ECV1NW40X74B	Trimmer Capacitor		
R405	YWEF14G245	Film	L501	YWPREL321	Inductor	320 μ H	
R406	YWEF14J485	Film	L502	YWEL06S18R2M	Inductor	8.2 μ H	
R407	YWEF14J965	Film	CN201-PF	EMCM0410B52X	4 pin Plug Female		
R408	YWEF14F1503	Film	YWCC008ZK06 FADE/ZOOM SPEED SWITCH BOARD				
R409	YWEF14F3003	Film	PCB006	YWCC008ZK06	Printed Circuit Board Assembly		
R410	YWEF14F6003	Film	SW601	KEC10902	Video Fade Switch		
R411	YWEF14G125	Film	SW602	ESD-1467	Zoom Speed Switch		
R412	YWEF14G245	Film	CN102-PF	EMCM0309D62	3 pin Plug Female		
R413	YWEF14J485	Film	ADJUSTABLE HANDLE CRIP				
R414	YWEF14J965	Film	PCB007	*YVW3150ZK97	VCR Start/Stop Switch Board Assembly		
R415 ~ 417	ERD10TJ223	Carbon	SW701	KEC10902	Start/Stop Switch		
R418	ERD10TJ273	Carbon	PCB008	*YVW3150ZK98	Zoom Switch Board Assembly		
R419	ERD10TJ221	Carbon	R8000	ERD10TJ103	Carbon	10K Ω	1/8W
R420	ERD10TJ103	Carbon	SW006	YSTST0282-4	AGC Switch		
R421,422	ERD10TJ103	Carbon	CN101-PF	EMCH0526D62W	5 pin Plug Female		
R423,424	ERD10TJ103	Carbon	M060	YV8C702KR98	Handle Grip Right Cover Assembly		
BR401	EXBH84124JB	Block Resistor	M061	YWCC702KR02	Handle Grip Left Cover		
BR402	EXBH85125JB	Block Resistor	M062	YWCC702KR03	Handle Grip Switch Cover		
BR403	EXBH85123JB	Block Resistor	M063	YWCC702WM99	Handle Grip Switch Spring Assembly		
BR404	EXBH84164JB	Block Resistor	M065	YWCC702WR01	Grip Spange		
BR405	EXBH84197JB	Block Resistor	M066	YWCC702LR01	Code Cramp		
C401	ECEA1ASS470	Electrolytic	M067	YWCC702LM01	Stopper Ring		
C402	ECQV05103JZ	Plastic	M068	YWCC702HR02A	R E C Knob		
C403	ECEA1ASS470	Electrolytic	M069	YVZC602LM02	Nut Pite A for Belt		
C404	ECQV05183JZ	Plastic	M070	YVZC602HR01A	Handle Strap		
C405,406	ECEA1CSS100	Electrolytic					
CN401-JM, 402-JM	EMCS0350M	3 pin Jack Male (X2)					
B1401	EMCM0912D62V	9 pin Connecting Wire Ass'y for B1401 and CN204					

SYM-BOL NO.	PART NO.	DESCRIPTION	SYM-BOL NO.	PART NO.	DESCRIPTION
M071 M072 M073 M074 M075	YVZC602FR01 YVVSQ0171HR1 YWCC702MM01 YWCC702WM02 YWCC702KM01	Handle Strap Holder Handle Strap Knob Crutch Crutch Spring Grip Base	M120 M121 M122	YVZC604WB01 YVZC604LR01 YVZC604LM01	CRT Rubber CRT Spacer Mounting Base
M076 M077 M078 M079	YWCC702KM02 YWCC702HR01 YVW3112PAM1 YVW3112PRM1	Blank Plate Lock Knob Mounting Bracket for Switch Dust Sheet	M123 M124 M125	YWS-XULRB07 YWS-XULRB03 YWS-WULRB03	X-Ray Label Service Man Caution Label High-voltage Caution Label
YVW3100PXX10 E.V.F. MOUNTING ASSEMBLY			YVW3100PZK8 E.V.F. CIRCUIT BOARD		
M081 M082 M083 M084 M085	YYZC603HR01 YVW3100PLM1 YVW3100PLR1 YVZC603LR02 YVW3100PAR1	Finder Lock Knob Mounting Bracket Spacer Holder Spacer Finder Holder	PCB009 IC801 IC802 Q801 Q802	YVW3100PZK8 HA17565PS AN374P 2SC828-RS 2SA564-RS	Printed Circuit Board Assembly Integrated Circuit Integrated Circuit Transistor Transistor
M086 M087 M088 M089 M090	YVZC603LR01A YVW3100PHR1 YVW3100PAM2A YVZC603LR04 YVZC603HR03	Finder Knob Spacer Finder Knob Cord Clamp Lock Knob Spacer Lock Knob	Q803 Q804,805 Q806 Q807 Q808	2SC828-RS 2SA564-RS 2SC828-RS 2SA564-RS 2SC1567A-RS	Transistor Transistor Transistor Transistor Transistor
M091	YWW-12	Wave Washer	Q809 Q810 Q811 Q812 D801	3SF11-Q 2SA564-RS 2SC1566 2SC828-RS MA26	Transistor Transistor Transistor Transistor Diode
E.V.F MISCELLANEOUS			D802 ~ 804	MA150	Diode
CRT002 L806	40CB4M ELY-15V010F	Cathode Ray Tube Deflection Coil Ass'y for L806 and CN801	D805 D806 R801 R802	XZ-062 YUDUF-1 ERD25F J102 ERD25F J101	Diode Diode Diode Carbon Carbon
CN801-PF	ELY-15V010F	Connecting Wire Ass'y for CN801 and L806	R803 R804,805 R806 R807,808 R809	ERD25F J561 ERD25F J103 ERD25F J123 ERD25F J223 ERD25F J682	Carbon Carbon Carbon Carbon Carbon
CN802-PF CN806	RP610P8P400 YWS7-506P-33	8 pin E.V.F. Connector CRT Socket	R810 R811 R812 R813 R814	ERD25F J822 ERD25F J123 ERD25F J132 ERD25F J332 ERD25F J223	Carbon Carbon Carbon Carbon Carbon
M101 M102 M103 M104 M105	YVW3100PKR7A YVW3100PKR8A YVZC604FR12 YVZC604LB02 YVZC604FR13	Upper Cover Lower Cover Lens Holder A Lens Spacer Sleeve for Eye Cap	R815 R816 R817 R818 R819	ERD25F J560 ERD25F J152 ERD25F J333 ERD25F J563 ERD25F J474	Carbon Carbon Carbon Carbon Carbon
M106 M107 M108 M109 M110	YVW3804WB02B YVZC604LB01 YVW3100PFR2 XPL16A6WVW YVZC604WM11	Eye Cap Lens Lens Holder B Spring Pin Spring Assembly	R820 R821 R822 R823 R824	ERD25F J225 ERD25F J394 ERD25F J125 ERD25F J393 ERD25F J132	Carbon Carbon Carbon Carbon Carbon
M111 M112 M113 M115 M116	YVZC604WB14 YVZC604AM1 YVZC604WB03 YVZC604UM11 YVZC604AM01	Tube (X2) Spring Holder Cushion for Circuit Board Front Panel CRT Holder	R825 R826	ERD25F J103 ERD25F J223	Carbon Carbon
M118 M119	YVZC604WB02A YVW3100PUM1	CRT Cushion CRT Panel			1KΩ 1/4W 100Ω 1/4W 560Ω 1/4W 10KΩ 1/4W 12KΩ 1/4W 22KΩ 1/4W 6.8KΩ 1/4W 8.2KΩ 1/4W 12KΩ 1/4W 1.3KΩ 1/4W 3.3KΩ 1/4W 22KΩ 1/4W 56Ω 1/4W 1.5KΩ 1/4W 33KΩ 1/4W 56KΩ 1/4W 470KΩ 1/4W 2.2MΩ 1/4W 390KΩ 1/4W 1.2MΩ 1/4W 39KΩ 1/4W 12KΩ 1/4W 10KΩ 1/4W 22KΩ 1/4W

SYM-BOL NO.	PART NO.	DESCRIPTION	SYM-BOL NO.	PART NO.	DESCRIPTION
R827	ERD25FJ2R2	Carbon 2.2Ω 1/4W	YWV3100PZK6 E.V.F. INDICATOR CIRCUIT BOARD		
R828	ERD25FJ102	Carbon 1KΩ 1/4W			
R829	ERD25FJ152	Carbon 1.5KΩ 1/4W			
R830	ERD25FJ103	Carbon 10KΩ 1/4W	PCB010	YWV3100PZK6	Printed Circuit Board Assembly
R831	ERD25FJ182	Carbon 1.8KΩ 1/4W	Q901,901	2SB641-ORS	Transistor
R832	ERD25FJ221	Carbon 220Ω 1/4W	R901	ERD25FJ393	Carbon 39KΩ 1/4W
R833	ERD25FJ182	Carbon 1.8KΩ 1/4W	R902	ERD25FJ332	Carbon 3.3KΩ 1/4W
R834	ERD25FJ392	Carbon 3.9KΩ 1/4W	R903	ERD25FJ223	Carbon 22KΩ 1/4W
R835	ERD25FJ680	Carbon 68Ω 1/4W	R904	ERD25FJ332	Carbon 3.3KΩ 1/4W
BR801	EXB-H85075JB	Block Resistor	R905	ERD25FJ182	Carbon 1.8KΩ 1/4W
BR802	EXB-H85073JB	Block Resistor	R906	ERD25FJ103	Carbon 10KΩ 1/4W
BR803	EXB-H95074JB	Block Resistor	R907	ERD25FJ331	Carbon 330Ω 1/4W
VR801	EVNK2AA00B13	Variable Resistor 1KΩ	C901	ECQM1H273KZ	Polyester 0.027μF 50V
VR802	EVNK2AA00B14	Variable Resistor 10KΩ	C902	ECEA1AS221	Electrolytic 220μF 10V
VR803	YWSR29R220K6	Variable Resistor 220KΩ	C903	ECEA1CS100	Electrolytic 10μF 16V
VR804	YWSR29R2R2MB	Variable Resistor 2.2MΩ	YWV3100PZK7 E.V.F LED BOARD		
VR805	EVNK2AA00B32	Variable Resistor 300Ω			
C801	ECEA1CS470	Electrolytic 47μF 16V			
C802	ECCEA1HS010S	Electrolytic 1μF 50V	PCB011	YWV3100PZK7	Printed Circuit Board Assembly
C803	ECQM1H273KZ	Polyester 0.027μF 50V	D1001	LN33SGP	Light Emitting Diode (Green)
C804	ECEA1AS221S	Electrolytic 220μF 10V	D1002	LN23SRP	Light Emitting Diode (Red)
C805	ECEA1CS100	Electrolytic 10μF 16V	D1003	LN33SGP	Light Emitting Diode (Green)
C806	ECEA1HS3R3	Electrolytic 3.3μF 50V	M117	YVZC604UR01A	LED Holder
C807,808	ECQM1H103KZ	Polyester 0.01μF 50V	MICROPHONE ASSEMBLY		
C809	ECEA1HS010S	Electrolytic 1μF 50V			
C810	ECQM1H273KZ	Polyester 0.027μF 50V			
C811	ECQM1H822KZ	Polyester 0.0082μF 50V	MIC001	YPM-SE014AA	Mic Pick-up Element
C812	ECSF10E2R2	Tantalum 2.2μF 10V	MIC002	YPM-SM140AA	Mic Extender
C813	ECQM1H103JZ	Polyester 0.01μF 50V	MIC003	YPM-KM447AA	Head Case
C814	ECEA1HSR47	Electrolytic 0.47μF 50V	CN103-PF	EMCM0222B53	2 Pin Plug Female
C815	ECEA0JS101	Electrolytic 100μF 6.3V	M130	YWCC706KR01	Right Side Mic Case
C816	ECQM1H273KZ	Polyester 0.027μF 50V	M131	YWCC706KR02	Left Side Mic Case
C817	ECQM1682JZ	Polyester 0.0068μF 100V	M132	YWCC706AM01A	Fastening Plate for Mic
C818	ECEA1CS470	Electrolytic 47μF 16V	M133	YWCC706WB01	Mic Cushion A (X2)
C819	ECEA1AS221	Electrolytic 220μF 10V	M134	YWCC706WB02	Mic Cushion B
C820	ECEA2AS010	Electrolytic 1μF 100V	M135	YWCC706LM01	Stopper Ring
C821	ECKF3A102KB	Ceramic 1000pF 100V	M136	YWCC706AM02A	Earth Plate
C822	ECEA160V1U	Electrolytic 1μF 160V	M137	YWV550WM03A	Internal Teeth Lock Washer
C823	ECKF3A102KB	Ceramic 1000pF 1000V	M138	YPM-MQ367AA	Wind Screen
C824	ECKF2H102KB	Ceramic 1000pF 500V	ACCESSORY PARTS/PACKAGING PARTS		
C825	ECQM1H223JZ	Polyester 0.022μF 50V			
C826	ECQM1H103KZ	Polyester 0.01μF 50V			
C827	ECSF10E2R2K	Tantalum 2.2μF 10V	M150	YWV3110PRB1	Operating Instruction
C828	ECEA1CS100	Electrolytic 10μF 10V	M151	YWV22XR899F	Service Center List
C829	ECQM1H103KZ	Polyester 0.01μF 50V	M152	VQA0091	Warranty Card for WV-3110 USA
C830	ECEA0JS471	Electrolytic 470μF 6.3V		VQA0054	Warranty Card for WV-3110CANADA
C831	ECEA1CS470	Electrolytic 47μF 16V	M153	ZXB38X80A02	Polyethylene Bag for Camera
C832	ECKF1H471KB	Ceramic 470pF 50V	M154	XZB20X35A02	Polyethylene Bag for Cable
C833	ECEA2AS100C	Electrolytic 10μF 100V	M155	XZB26X40C05	Polyethylene Bag for Instruction Book
C834	ECEA1HSR47	Electrolytic 0.47μF 50V	M156	YWV3110PPB1	Packaging Case for WV-3110 USA
L801	YWLS-7101J	Inductor 100μH		YWV3110CPB1	Packaging Case for WV-3110 Canada
L802	ELQ402D008	High Frequency Coil 4mH			
L803	YWLS-7101J	Inductor 100μH			
L804	ELQ101D036	High Frequency Coil 100μH			
L805	YWHL3202	Linearity Coil			
L807	YWLS-7431J	Inductor 420μH			
T801	YWF8T3202	High Voltage Unit			
TP801,802	YW4000TP	Test Point			
CN801-JM	EMCS0450	4 pin Jack Male			
M114	YVZC604WM01	Earth Leaf Spring			

EXPLODED VIEW OF CAMERA



- PCB001 YWV3110PZK1
- PCB002 YWV3110PZK2
- PCB003 YWV3100PZK3
- PCB004 YWCC007ZK04
- PCB005 YWCC007ZK05
- PCB006 YWCC008ZK06
- V001 S4094
- Q301 2SA1061-P
- D301 LN217RP
- VR001.002 VN20E51030KB
- L001 ELY-18A205C
- SW002 YWSC1101U
- SW003 YWSC1101U
- SW004 YWSSM0124
- SW301 YWSSB0229LP
- SW601 KEC10902
- SW602 ESD-1467
- CN001 YW-SJ296
- CN002 YWRP6-10R-BS
- CN003 YWS8-612J-01
- CN004 EMCUI08T08
- CN007 YW-SJ296L
- CN101-JM EMCS0551ML
- CN102-JM EMCS0351ML
- CN102-PF EMCM0309D62
- CN103-JM EMCS0251ML
- CN104-JM EMCS0351ML
- CN105-JM EMCS0252M
- CN106-JM EMCS0652M
- CN107-JM EMCS0452M
- CN107-PF EMCM0414D63
- CN109-JM EMCS0552
- CN109-PF EMCM0527D62M
- CN110-JM EMCS352M
- CN110-PF EMCM0327D62
- CN111-JM EMCS0652M
- CN111-PF ELY-18A205C
- CN114-JM EMCM0252
- CN115-JM EMCS0352M
- CN201-JM EMCS0452M
- CN202-JM EMCS0752M
- CN203-JM EMCS0552M
- CN204-JM EMCS0952M
- CN205-JM EMCS0652M
- CN206-JM EMCS0652M
- CN207-JM EMCS0752M
- CN208-JM EMCS0252M
- CN209-JM EMCS0252M
- CN301-JM EMCS0251ML
- CN401-JM EMCS0350M
- CN402-JM EMCS0350M
- CN802-JM YWRP6-10R-BS
- B1101 EMCM0614D62V
- B1102 EMCM0613C44V
- B1103 EMCM0708D43V
- B1301 EMCM0414D63V
- B1401 EMCM0912D62V

- M001 YWH6X12R5F1
- M002 YWCC700HR01
- M003 YWCC700HR02
- M004 YWCC700KR04
- M005 YWCC700CM02
- M006 YWCC700CM01
- M007 YWV3110PKR2
- M008 YWV3100PDM1
- M009 YWV3110PKX2
- M010 YWV3110PKX3
- M011 YWV3302UM02
- M012 YWV3100PFR1A
- M014 YWCC100KR06
- M015 YWCC100UM01

- M016 YWCC100CM04
- M018 YWCC700AM05
- M019 YWCC800UR10
- M020 YWCC700HR03
- M021 YWCC700WM01
- M022 YWCC700WM02
- M023 YWCC700HR04
- M024 YWCC800AM01
- M025 YWV3204HR01
- M026 YWCC701CM01B
- M027 YWCC701FM01A
- M028 YWCC701FR01A
- M029 YWB26E2
- M030 YWCC701WB99

- M031 YWV3100PFM1
- M032 YWCC701AM07
- M033 YWCC701FM05
- M034 YWCC701WB03A
- M035 YWCC701AM03A
- M036 YWCC100FR01
- M037 YWCC701AM04
- M038 YWCC701AM05
- M039 YVZC601LM03A
- M040 YWV3100PAM1
- M041 YWV3100PKR1
- M042 YWV3110PKR99
- M043 YWCC100CM03

- M044 YWCC700HR05A
- M045 YW614060
- M046 YW614043
- M047 YW614042
- M048 YW614046
- M049 YWV3100PDB1
- M050 YWCLAMPFR-M
- M051 YWCC701WB02
- M052 YWCC500LB17
- M053 YWV3110PUR1
- M054 YWCC700LEB04
- M055 YWCC700AM04
- M056 YWCC500LB13
- M057 YWCC700AM06A

- M058 YWCC700AM07
- M059 YWCC700AM08
- M096 YWS-CULRB25
- M171 YW47B307000
- M172 YW59B300472
- M173 YW59B300471
- M174 YW57B313866
- M175 YW27B307001
- M176 YW57B307002
- M177 YW11B30731B
- M178 YW11B310868
- M179 YW23B294868
- M180 YW59B330475

Numbers show screws

NO.	Screws	Description
1	XSN2+4	Binding Head Screws
2	XSN2+8	Binding Head Screws
3	XSN26+4	Binding Head Screws
4	XSN26+6	Binding Head Screws
5	XSN26+10	Binding Head Screws
6	XSN26+12	Binding Head Screws
7	XSN26+6	Binding Head Screws
8	XSB26+6FXK	Binding Head Black Screws
9	XTB2+6B	Binding Head Tapping Screws
10	XTB26+8BN	Binding Head Tapping Screws
11	XTB26+6BFXX	Binding Head Black Tapping Screws
12	XSS26+6	Flush Head Machine Screws
13	XSS26+BFX	Flush Head Machine Screws
14	XSS26+6FXK	Flush Head Machine Black Screws
15	XYN26+6FFX	Machine Screw and Washer Assembly
16	XSB26+25FXK	Binding Head Black Screws

EXPLODED VIEW OF CAMERA PACKAGING

