

Simpson

INSTRUMENTS THAT STAY ACCURATE

RECEIVED

JUN 22 1959

BOYLE ENGINEERING

OPERATOR'S MANUAL

TEMP. METER

SIMPSON ELECTRIC COMPANY

5200 West Kinzie St., Chicago 44, Illinois, ESTebrook 9-1121

In Canada. Bach-Simpson, Ltd., London, Ontario

OPERATING INSTRUCTIONS FOR SIMPSON 389-3L

This instrument will accommodate three cords so that readings at three different locations can be taken in quick succession. The cords or cord should be plugged into the connectors marked 1, 2, and 3 on the top of the case below the meter.

- Step 1 -With the switch off, the meter should read 100 degrees on low range. If not, correct it by turning the zero adjustor screw on the face of the meter cover.
- Step 2 -Set the switch to adjust; the meter should read 32 degrees. If not, correct it by removing plug on top of the case and turning the screw marked ADJUST.
- Step 3 -Set the jack switch to position 1, 2, or 3 according to the cord selected for reading.
- Step 4 -Set the switch to READ. The meter will now indicate the temperature of the metal probe on the end of the selected cord.

Allow sufficient time for the probe to attain the same temperature as the object being measured. When measuring air temperature, allow several minutes for the temperature to stabilize. When measuring liquids, only several seconds are necessary. After using, return the switch to OFF. It is not necessary to disconnect the cords from the meter.

DUE TO EXTREMELY LOW CURRENT USED, THE BATTERY SHOULD HAVE A LONG LIFE WITH NORMAL USE. A hearing aid battery is ideally suited for this, although any

standard flashlight battery of the same size will give satisfactory service.

Replace the battery when the reading cannot be adjusted to 32 degrees, as described in Step 2. Remove the four screws on the bottom of the case which holds the lower cover to the case.

This meter is equipped with a recalibrator. To recalibrate, proceed as follows:

1. Make the preliminary adjustments as outlined in Steps 1 and 2.
2. Set the switch to READ.
3. Place the probe in a glass of ice water consisting of at least 50 percent ice cubes, and stir for 10 to 15 seconds to stabilize the temperature.
4. Meter should now read 32 degrees.
5. If the reading is off, turn the ADJUST screw until the meter reads exactly 32 degrees (switch in LOW position). Then turn the switch to ADJUST position. If the reading changes, remove the plug on the top of the case, (CAL.) insert a small screw driver through the case opening and into the slot in the control and turn until the meter reads exactly 32 degrees; then replace the plug in the case. Meter is now recalibrated and ready to use, as outlined in Steps 1, 2, 3, and 4.

Do not use in acids or solutions that will attack the plastic cord or the brass shell probe, unless a protective covering is used; such as a lead or glass tube.

WARRANTY

SIMPSON ELECTRIC COMPANY warrants each instrument and other articles of equipment manufactured by it to be free from defects in material and workmanship under normal use and service, its obligation under this warranty being limited to making good at its factory any instrument or other article of equipment which shall within 90 days after delivery of such instrument or other article of equipment to the original purchaser be returned intact to it, or to one of its authorized service stations, with transportation charges prepaid, and which its examination shall disclose to its satisfaction to have been thus defective; this warranty being expressly in lieu of all other warranties expressed or implied and of all other obligations or liabilities on its part, and SIMPSON ELECTRIC COMPANY neither assumes nor authorizes any other persons to assume for it any other liability in connection with the sale of its products.

This warranty shall not apply to any instrument or other article of equipment which shall have been repaired or altered outside the SIMPSON ELECTRIC COMPANY factory or authorized service stations, nor which has been subject to misuse, negligence or accident, incorrect wiring by others, or installation or use not in accord with instructions furnished by the manufacturer.

Simpson **ELECTRIC COMPANY**

5200 Kinzie St., Chicago 44, Illinois • Phone: EStbrook 9-1121

In Canada: Bach-Simpson, Ltd., London, Ontario



LAC DU FLAMBEAU PLANT
WISCONSIN



LAKE STREET PLANT
CHICAGO



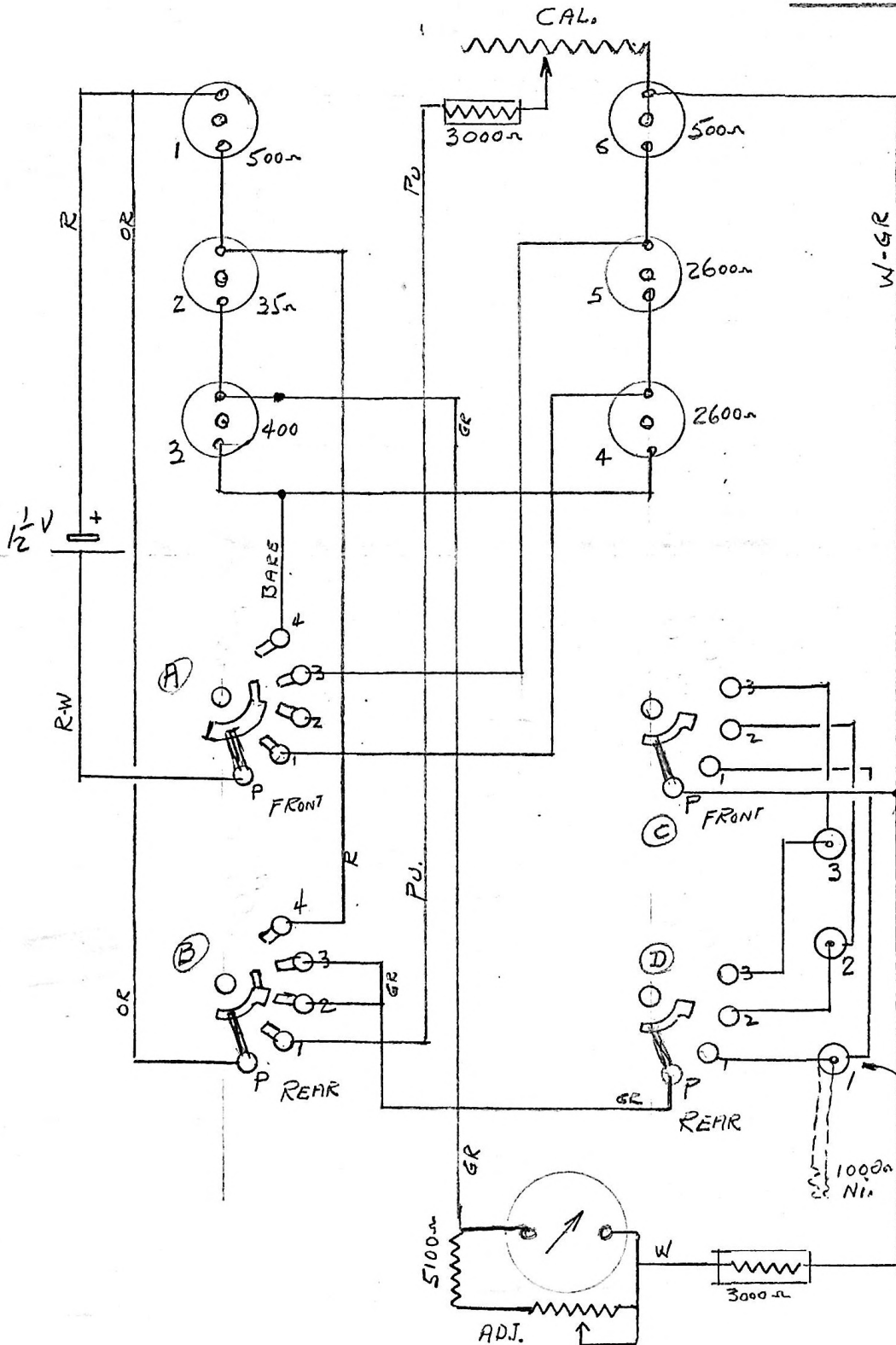
KINZIE STREET PLANT
CHICAGO



AURORA PLANT
AURORA, ILL.

COMPLETE WIRING SIMPSON TEMP. METER.

MODEL 389-3L.

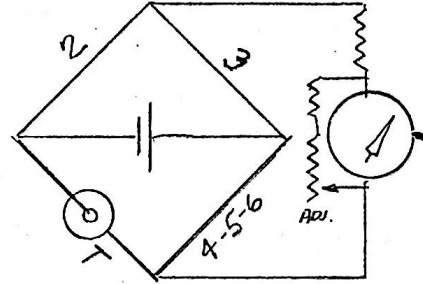
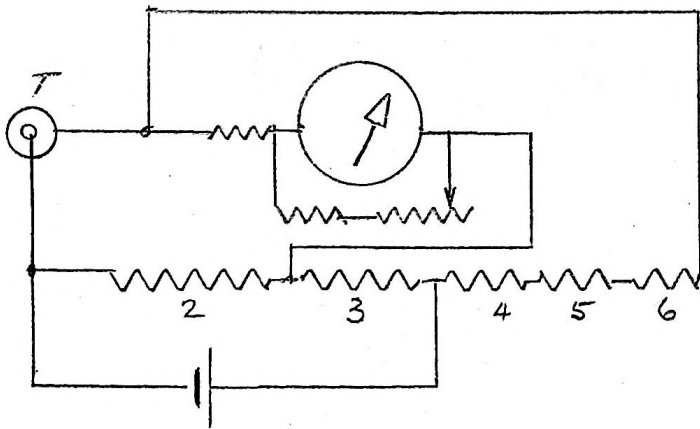


SWITCHES.
A & B - TOGETHER

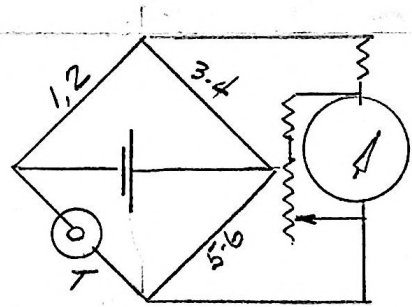
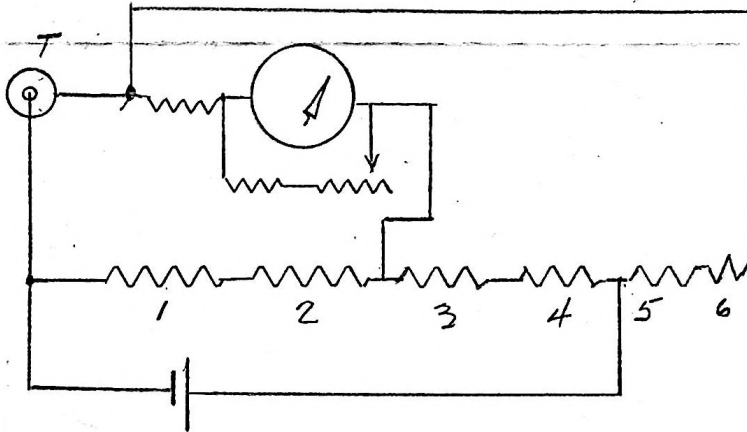
OFF = P
 ADJ. = P-1
 LOW = P-1-(2=0) 3
 = P-1-2-3
 HIGH = P-1-(2=0) 3
 = P-2-3-4

TEMP. PROB
 SELECTION
 1, 2, or 3.

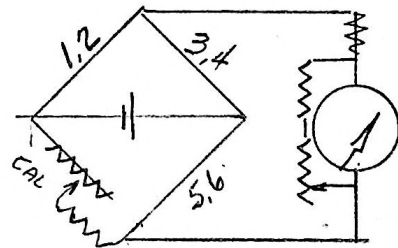
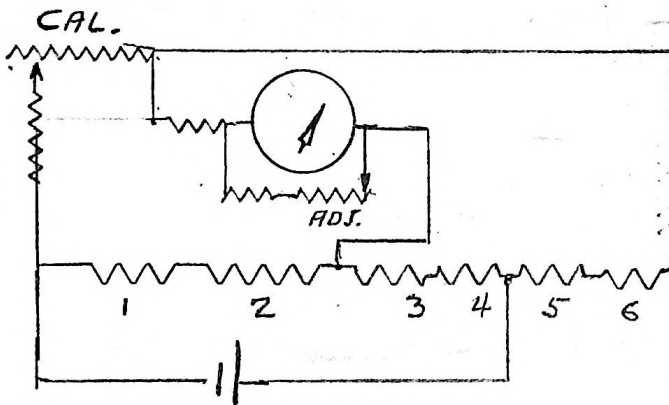
SIMPSON TEMP METER MODEL 389.



HIGH SCALE



LOW SCALE



ADJUST & CALIBRATE