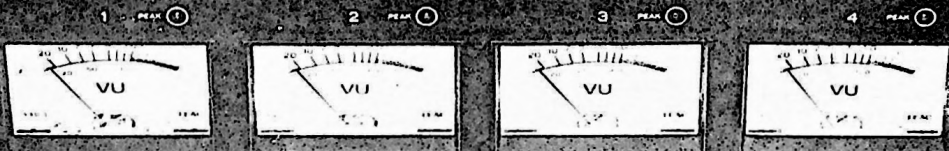


Model 3

OPERATION MANUAL

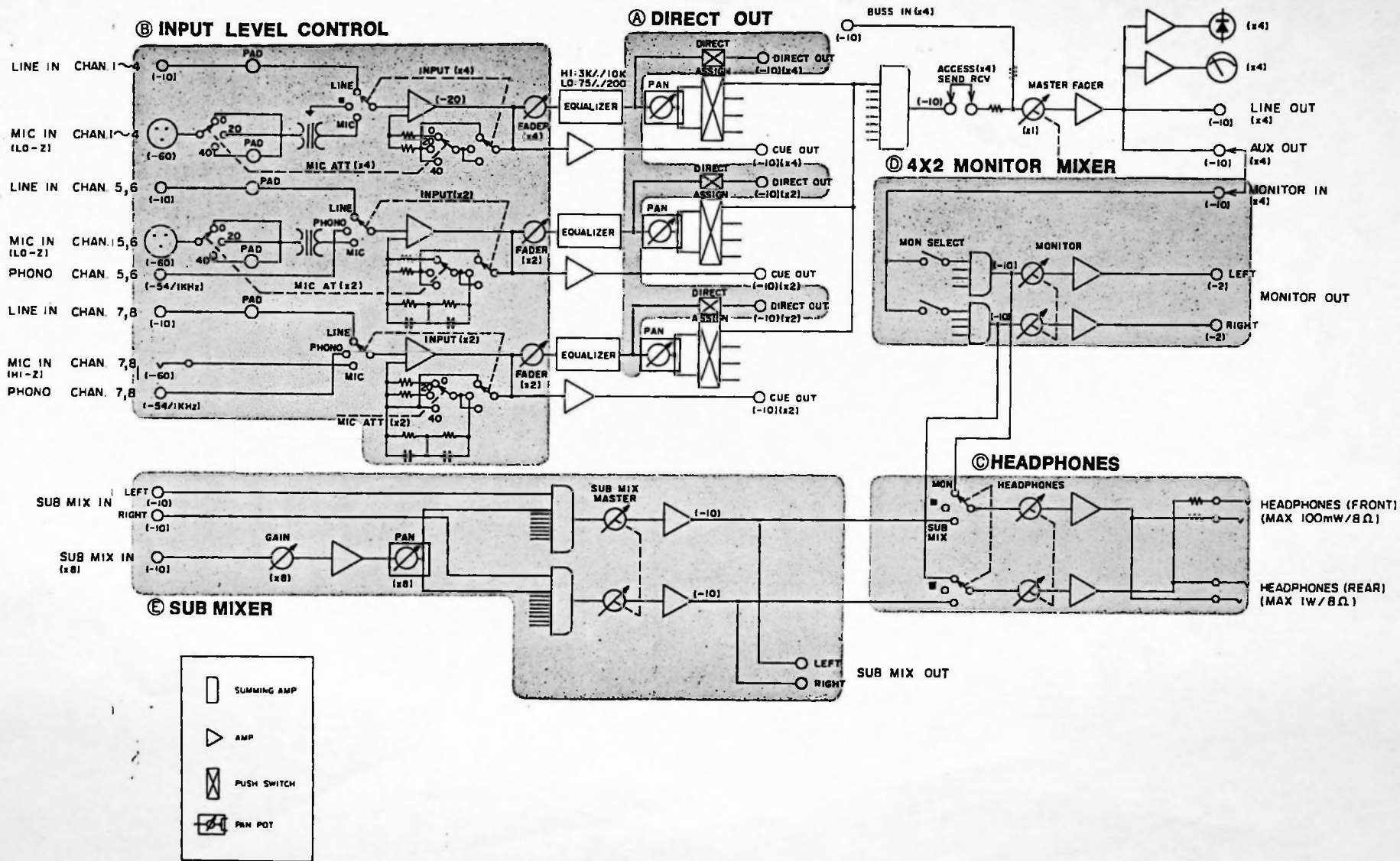
TEAC 3
TASCAN SERIES

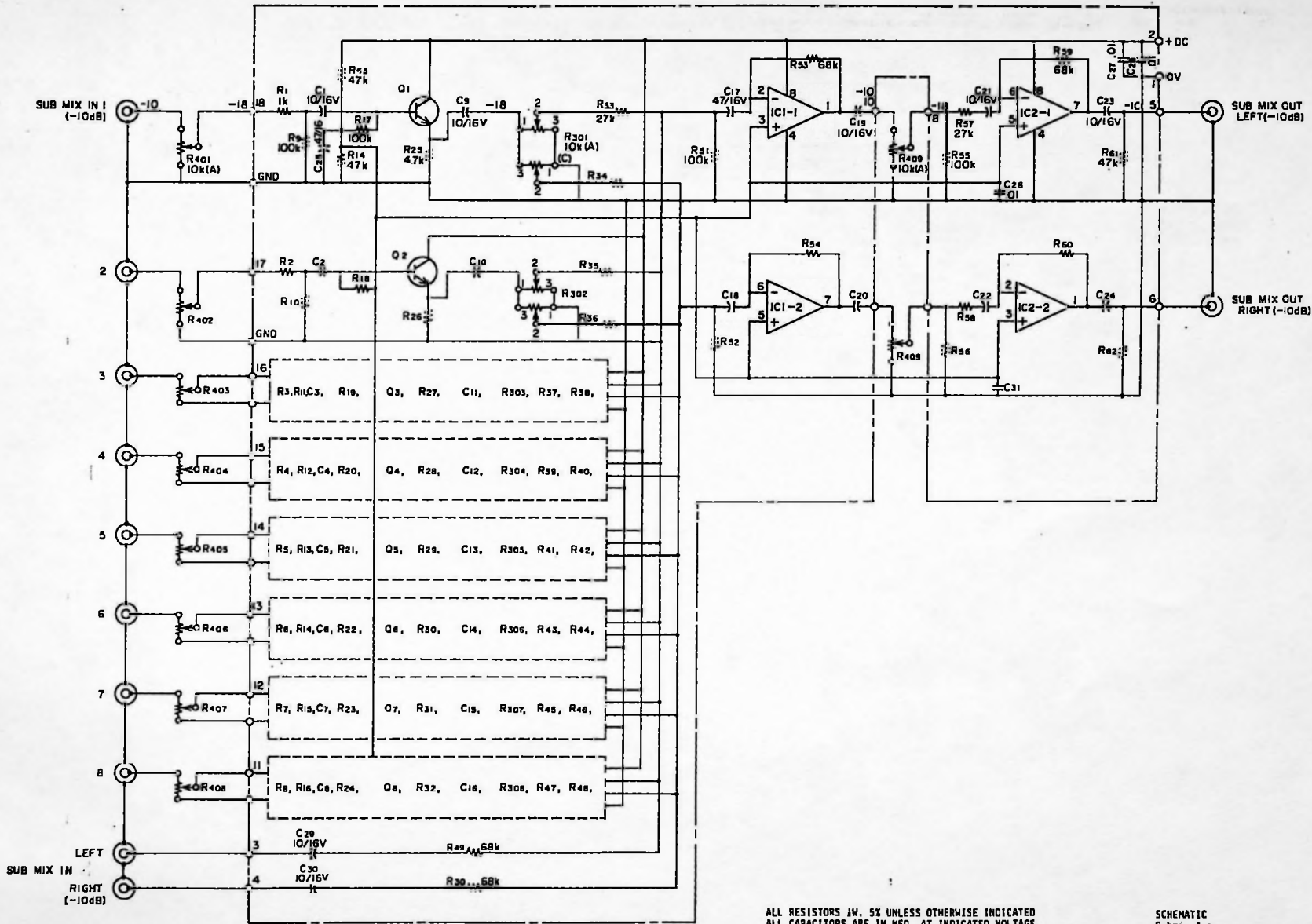


POWER
ON
OFF

MC ATT MC PHONO LINE INPUT	MC ATT MC PHONO LINE INPUT	MC ATT MC PHONO LINE INPUT	MC ATT MC PHONO LINE INPUT	MC ATT MC PHONO LINE INPUT	MC ATT MC PHONO LINE INPUT	MC ATT MC PHONO LINE INPUT	MC ATT MC PHONO LINE INPUT	MONITOR HEADPHONES
75 200	75 200	75 200	75 200	75 200	75 200	75 200	75 200	
D 1 2 3 4 ASSIGN	D 1 2 3 4 ASSIGN	D 1 2 3 4 ASSIGN	D 1 2 3 4 ASSIGN	D 1 2 3 4 ASSIGN	D 1 2 3 4 ASSIGN	D 1 2 3 4 ASSIGN	D 1 2 3 4 ASSIGN	LEFT RIGHT MON SELECT
PAN	PAN	PAN	PAN	PAN	PAN	PAN	PAN	MONITOR
10 9 8 7 6 5 4 3 2 1 0	10 9 8 7 6 5 4 3 2 1 0	10 9 8 7 6 5 4 3 2 1 0	10 9 8 7 6 5 4 3 2 1 0	10 9 8 7 6 5 4 3 2 1 0	10 9 8 7 6 5 4 3 2 1 0	10 9 8 7 6 5 4 3 2 1 0	10 9 8 7 6 5 4 3 2 1 0	PAN GAIN SUBJECT MASTER

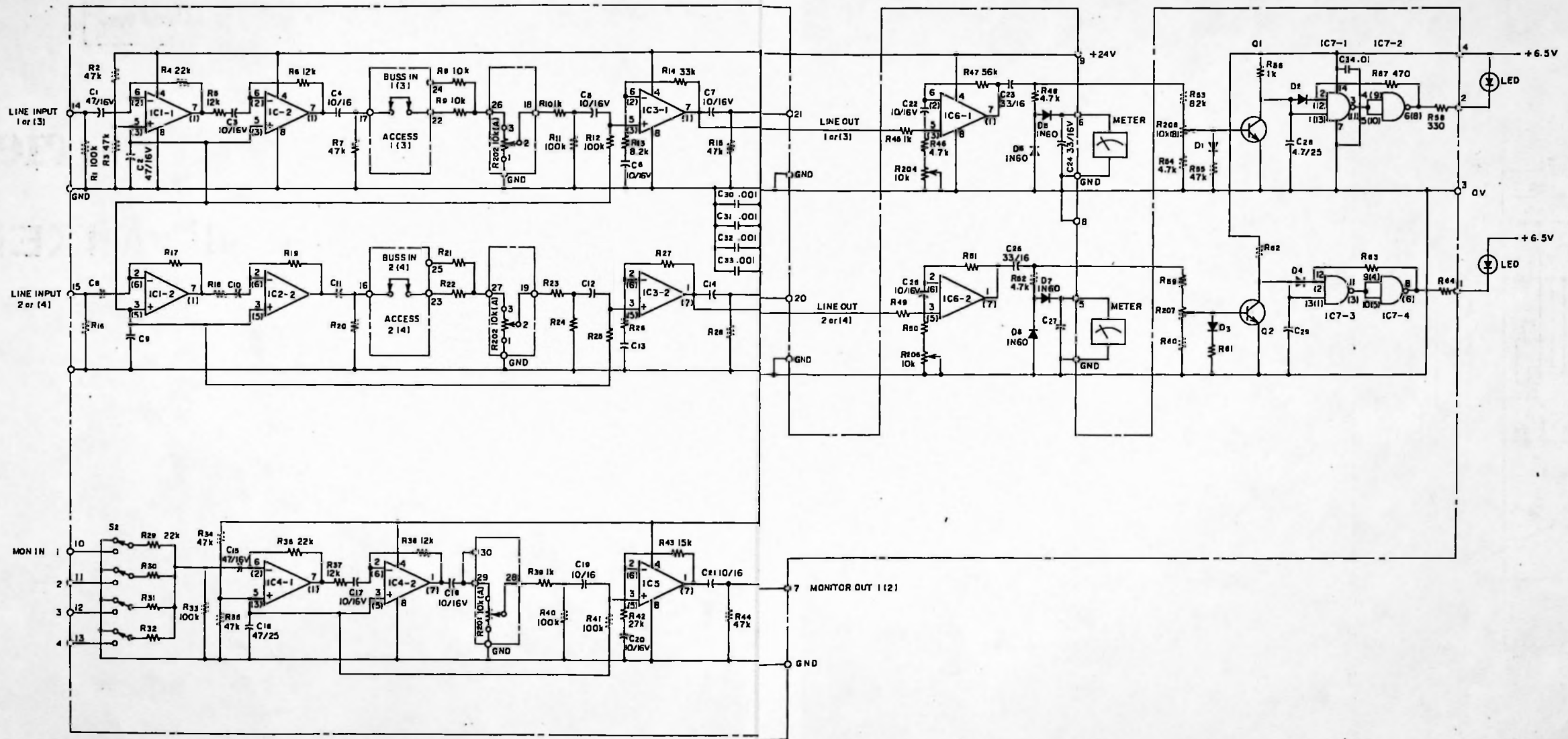
Block diagram





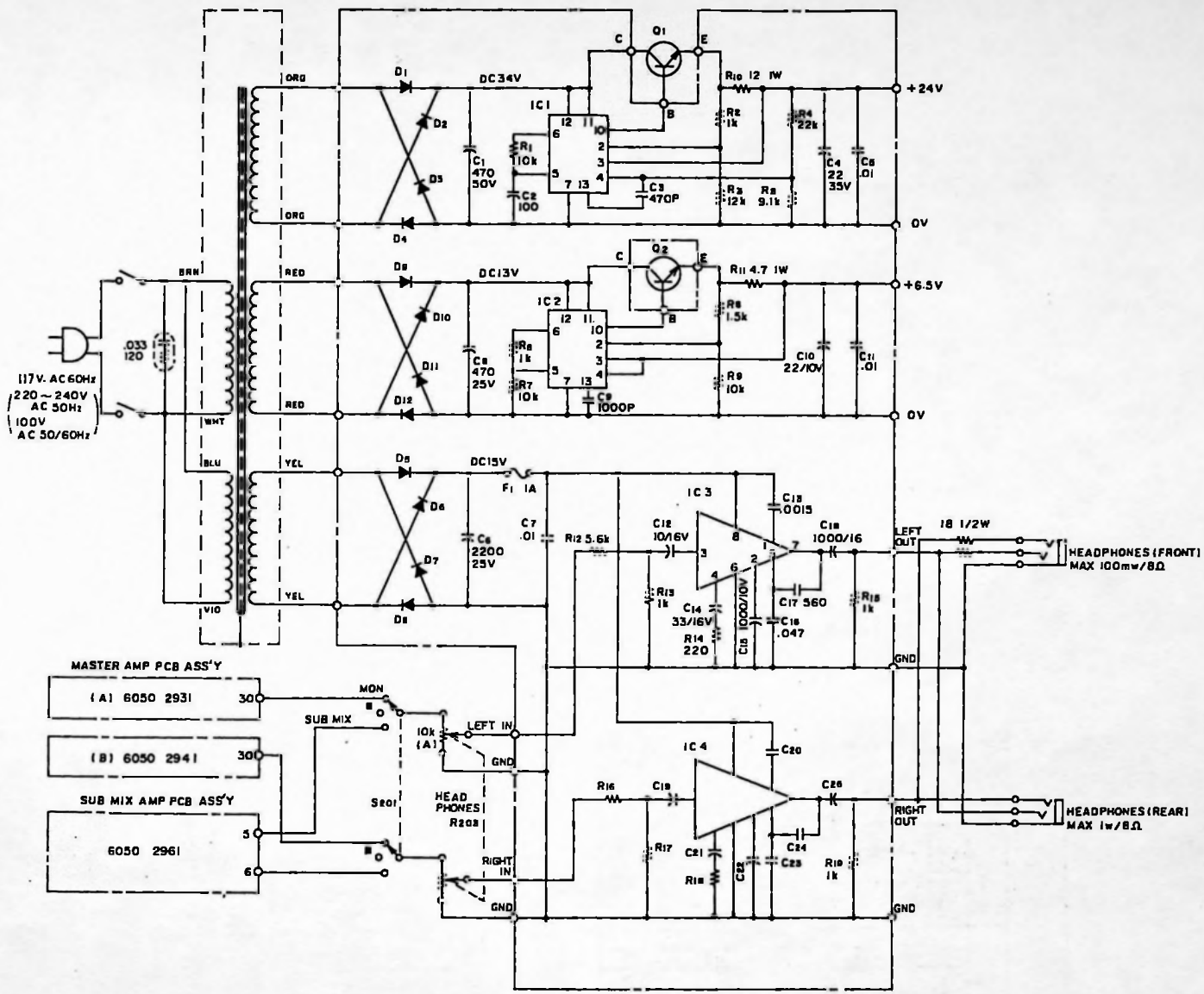
ALL RESISTORS 1/4W, 5% UNLESS OTHERWISE INDICATED
 ALL CAPACITORS ARE IN MFD. AT INDICATED VOLTAGE
 CURVED PLATE OF CAPACITOR SYMBOLS INDICATE NEGATIVE POLARITY
 ○ AND NUMBERS ALONG BROKEN LINE INDICATES EXTERNAL LEAD
 WIRING POINTS

SCHEMATIC
 Submix Amp.
 DWG. _____ REV. _____
 TEAC CORPORATION



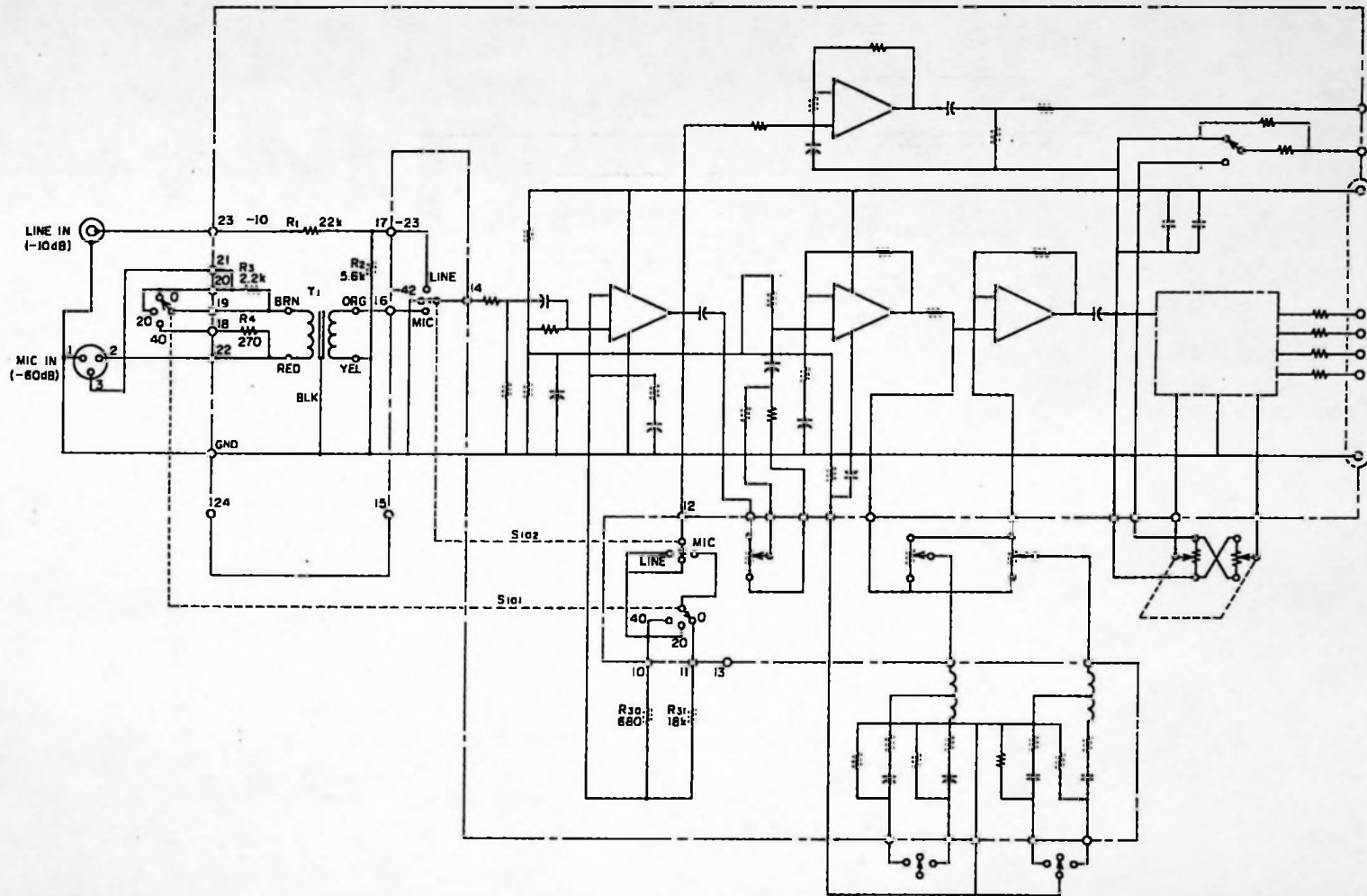
ALL RESISTORS 1/4W, 5% UNLESS OTHERWISE INDICATED
 ALL CAPACITORS ARE IN MFD. AT INDICATED VOLTAGE
 CURVED PLATE OF CAPACITOR SYMBOLS INDICATE NEGATIVE POLARITY
 ○ AND NUMBERS ALONG BROKEN LINE INDICATES EXTERNAL LEAD
 WIRING POINTS

SCHEMATIC
 Master/Monitor/Meter Amp.
 Dwg. REV. _____
 TEAC CORPORATION



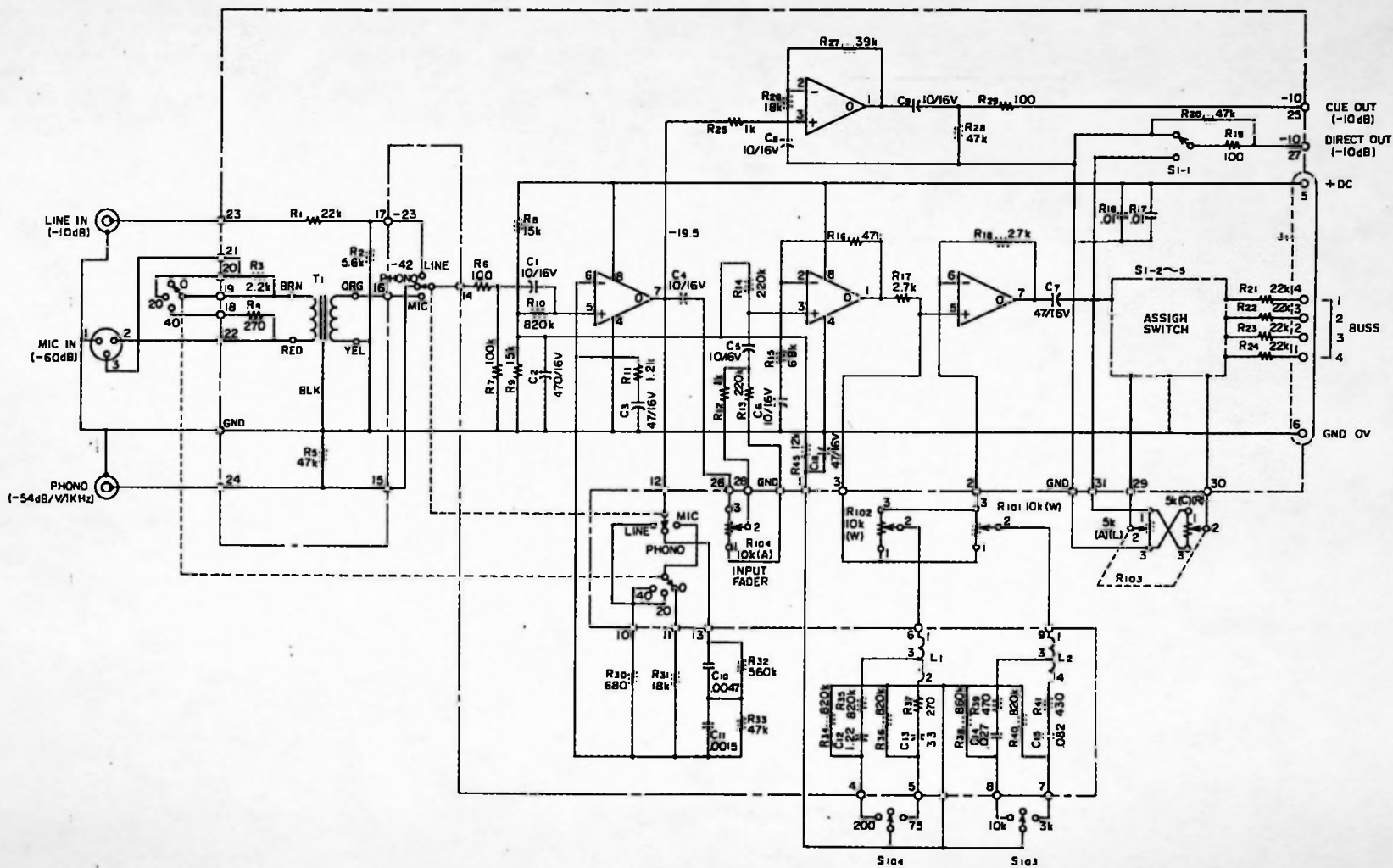
ALL RESISTORS 1/4W, 5% UNLESS OTHERWISE INDICATED
 ALL CAPACITORS ARE IN MFD. AT INDICATED VOLTAGE
 CURVED PLATE OF CAPACITOR SYMBOLS INDICATE NEGATIVE POLARITY
 ○ AND NUMBERS ALONG BROKEN LINE INDICATES EXTERNAL LEAD
 WIRING POINTS

SCHEMATIC
 Power Supply Unit
 DSG REV.
 TEAC CORPORATION



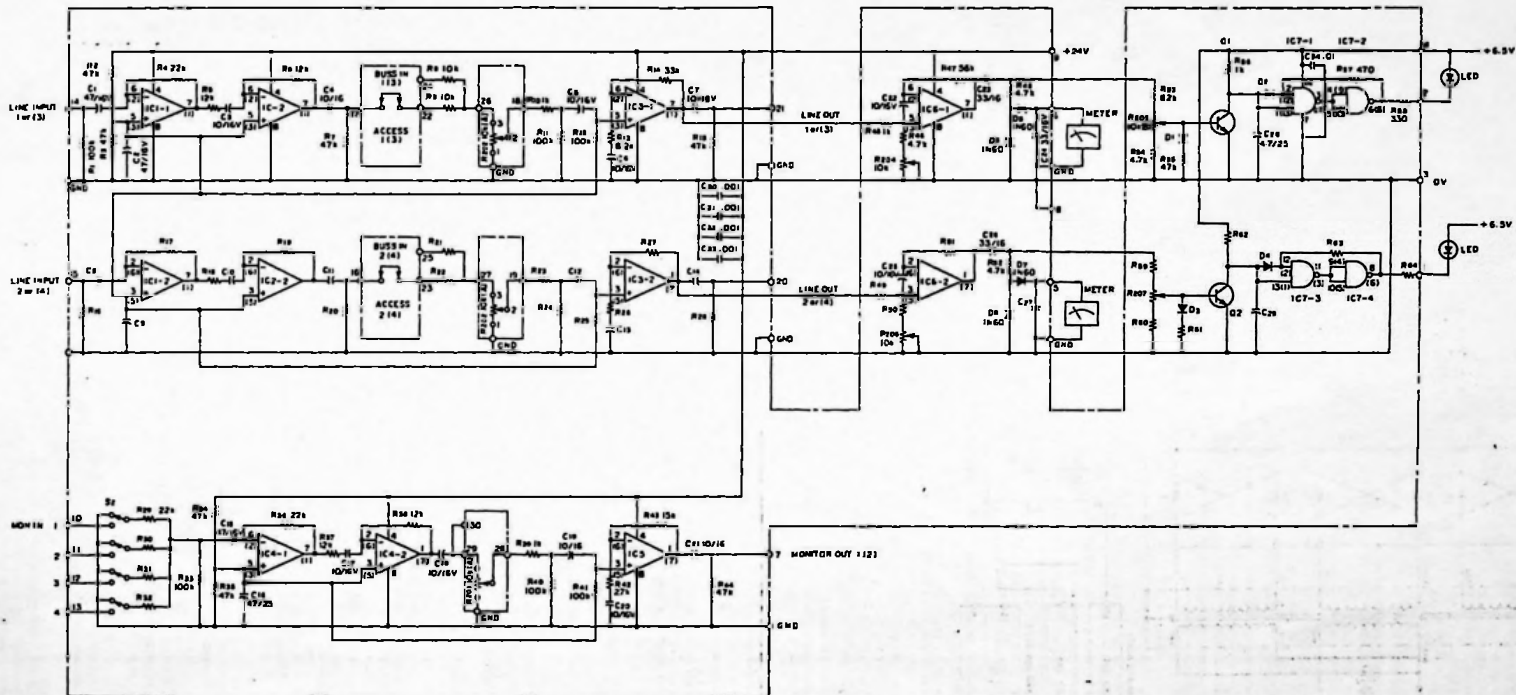
ALL RESISTORS $\frac{1}{4}$ W, 5% UNLESS OTHERWISE INDICATED
 ALL CAPACITORS ARE IN MFD. AT INDICATED VOLTAGE
 CURVED PLATE OF CAPACITOR SYMBOLS INDICATE NEGATIVE POLARITY
 ○ AND NUMBERS ALONG BROKEN LINE INDICATES EXTERNAL LEAD
 WIRING POINTS

SCHEMATIC
 Input Amp. (Ch. 1-4)
 DWG. REV.
 TEAC CORPORATION



ALL RESISTORS 1/4W, 5% UNLESS OTHERWISE INDICATED
 ALL CAPACITORS ARE IN MFD. AT INDICATED VOLTAGE
 CURVED PLATE OF CAPACITOR SYMBOLS INDICATE NEGATIVE POLARITY
 ○ AND NUMBERS ALONG BROKEN LINE INDICATES EXTERNAL LEAD
 WIRING POINTS

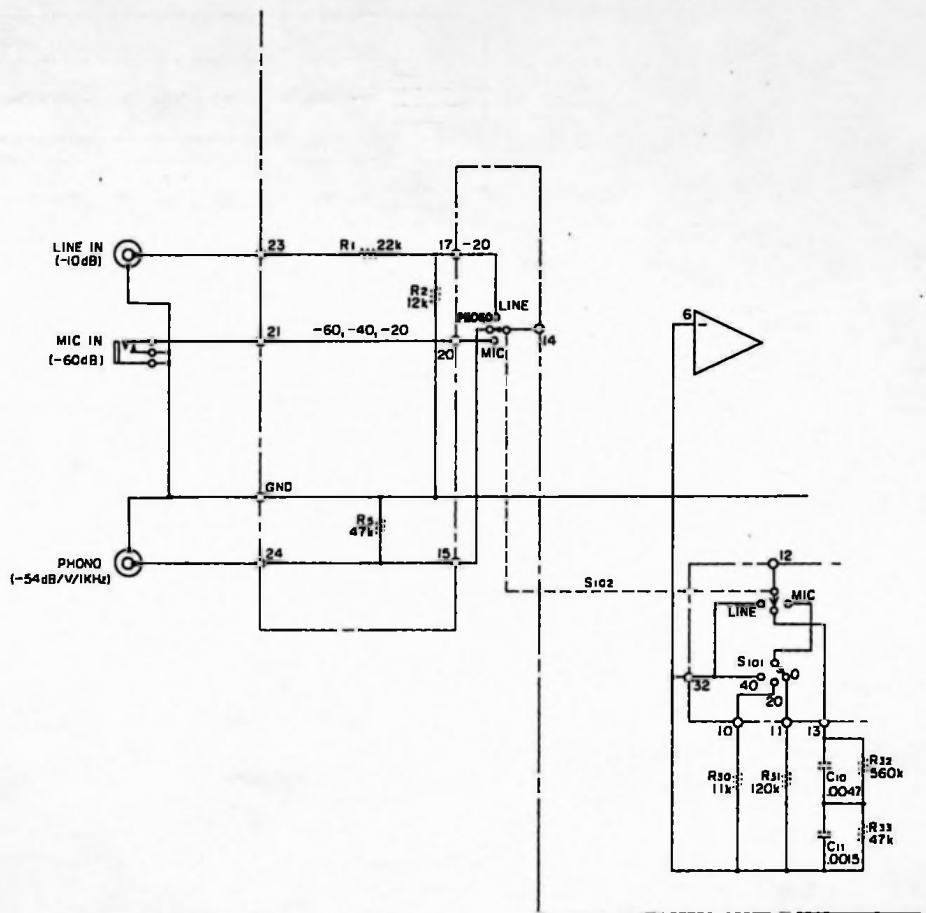
SCHEMATIC
 Input Amp. (Ch. 5, 6)
 Dwg. REV.
 TEAC CORPORATION



DAEIT

ALL RESISTORS IN Ω UNLESS OTHERWISE INDICATED
 ALL CAPACITORS ARE IN PFD. AT INDICATED VOLTAGE
 CAPACITORS WITH NEGATIVE POLARITY INDICATE NEGATIVE POLARITY
 C AND WIRELESS ALONG DOUBLE LINE INDICATES EXTERNAL LEAD
 WIRELESS POINTS

SCHWITZ
 PROJECT: Monitor/Tester - Ass.
 Dwg. No. 103
 TRAC CORPORATION



ALL RESISTORS 1/4, 5% UNLESS OTHERWISE INDICATED
 ALL CAPACITORS ARE IN MFD. AT INDICATED VOLTAGE
 CURVED PLATE OF CAPACITOR SYMBOLS INDICATE NEGATIVE POLARITY
 ○ AND NUMBERS ALONG BROKEN LINE INDICATES EXTERNAL LEAD
 WIRING POINTS

SCHEMATIC
 Input Amp. (Ch. 7. 8)
 DWG. ___ REV.
 TEAC CORPORATION