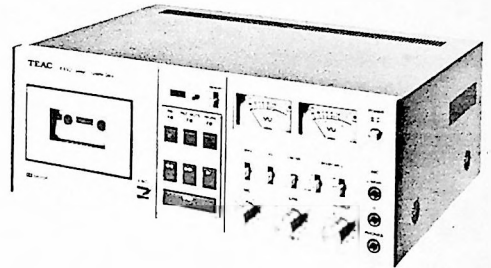


TEAC®

A-650

Stereo Cassette Deck with Dolby System



PARTS LIST

PARTS ORDERING INFORMATION

Spare parts are available through your nearest TEAC Authorized Service Center or directly from the TEAC office, the address of which is written on the back cover. When ordering parts, always include the following information:

- | | |
|--------------|--------------------|
| 1. MODEL | 4. DESCRIPTION |
| 2. REF. NO. | 5. UNIT SERIAL NO. |
| 3. PARTS NO. | 6. MANUAL CODE NO. |

NOTICE REGARDING PARTS ORDERS

1. Do not order by only REF. NO.
2. In some instances, individual minor parts are not available. In such a case, the entire assembly including the part requested will be sent to you.
3. Parts are identical between the different models with the exceptions as coded by the designations in the REMARKS column.
4. PC Boards shown viewed from foil side.
5. Parts marked with *require longer delivery time than regular parts.

TABLE OF CONTENTS

EXPLODED VIEWS AND PARTS LIST SECTION

EXPLODED VIEW-1	3
EXPLODED VIEW-2	4,5,10
EXPLODED VIEW-3	6,7
EXPLODED VIEW-4	8,9,10

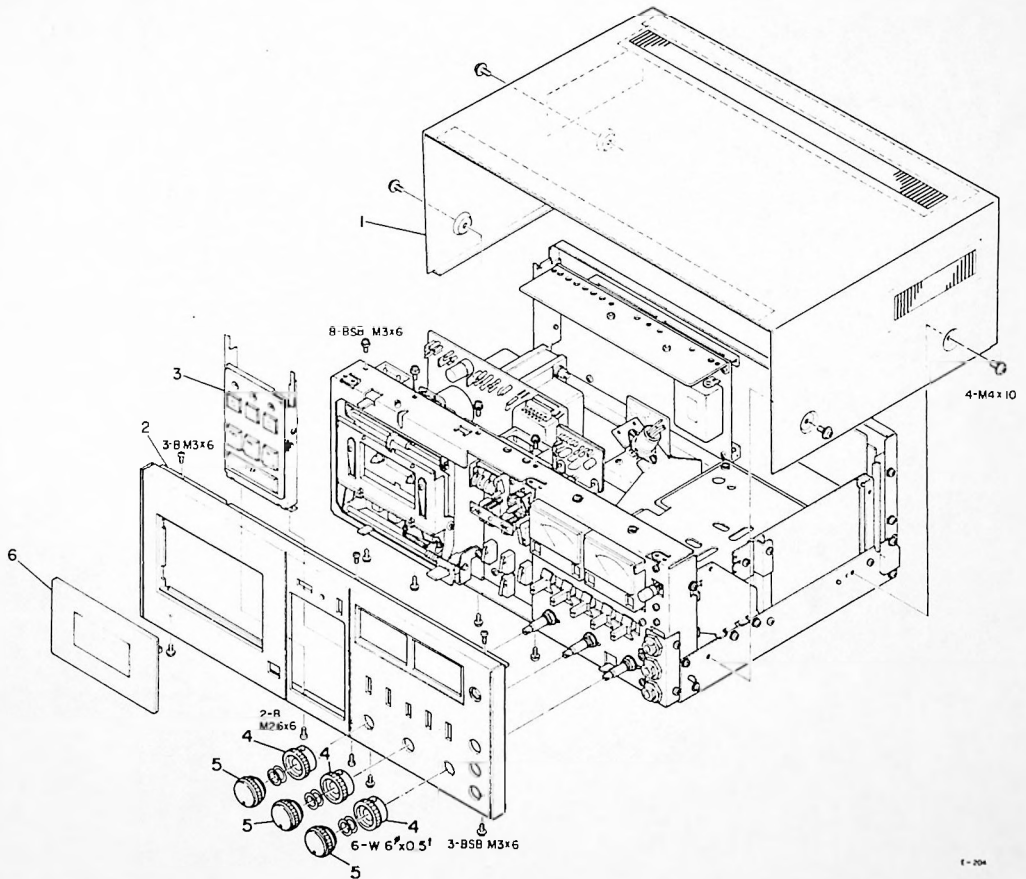
PC BOARD SECTION

1. RECORD PLAYBACK AMPL	11,16
2. CONTROL PC BOARD	12,18
3. DOLBY B TYPE PROCESSOR	13,19
4. POWER SUPPLY	14,20
5. INPUT-OUTPUT PC BOARD	15,21
6. LEVER SWITCH PC BOARD	15,21
7. MUTING PC BOARD	16,22
8. VU LEVEL METER PC BOARD	16,22

INCLUDED ACCESSORIES	22
ASSEMBLING HARWARE CODING LIST	23

1. EXPLODED VIEWS AND PARTS LIST

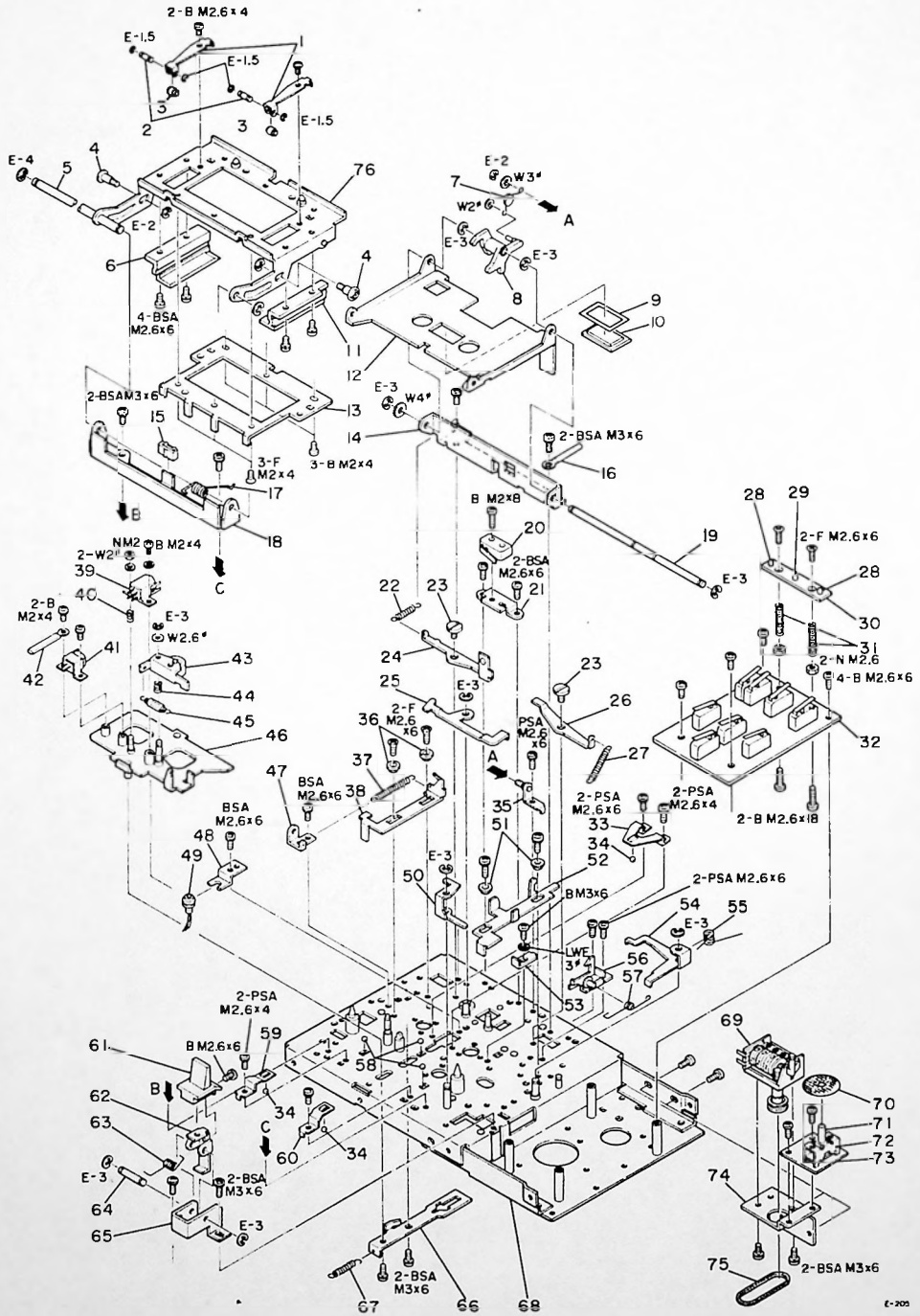
EXPLODED VIEW-1



PARTS LIST-1

REF. NO.	PARTS NO.	DESCRIPTION	REMARKS
1 - 1	* 55021021	Cabinet Assy, Top	
1 - 2	* 55020961	Panel Assy, Front	JAPAN
	* 55020990	Panel Assy, Front	All except JAPAN
1 - 3	* 55020982	Button Assy	Part of above ass'y
1 - 4	55341950	Knob, B	
1 - 5	55341940	Knob, A	
1 - 6	5021011	Cover Assy, Cassette Holder	

EXPLODED VIEW-2

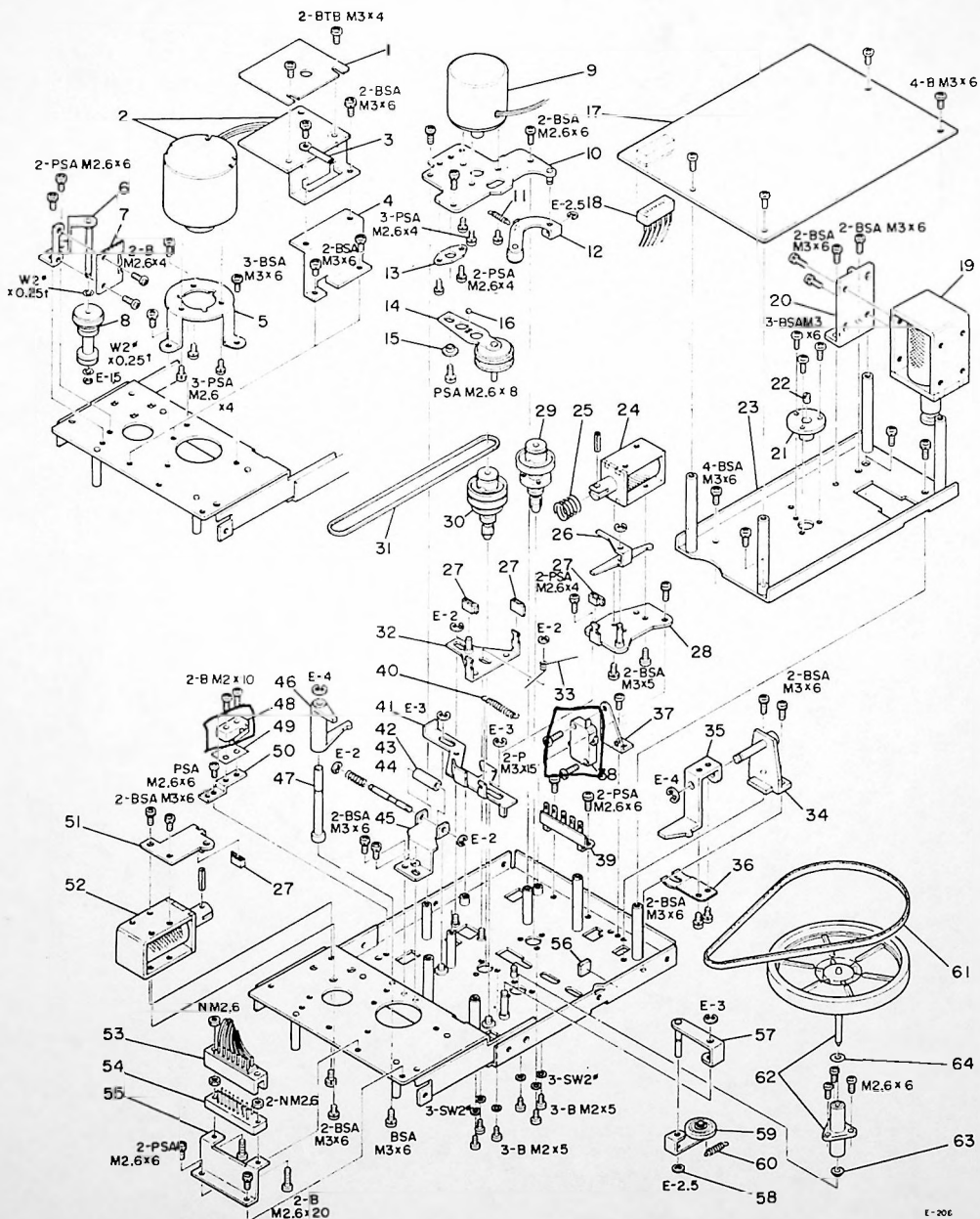


PARTS LIST-2

REF. NO.	PARTS NO.	DESCRIPTION	REMARKS
2 - 1	55546150	Plate Spring, Cassette Guide	
2 - 2	55443700	Shaft, Guide Roller	
2 - 3	55342630	Roller, Guide; Cassette	
2 - 4	55443641	Screw, Cassette Holder	
2 - 5	* 55443580	Shaft, Holder Bracket; F	
2 - 6	55342560	Guide, Cassette; L	
2 - 7	55240260	Spring, Arm	
2 - 8	55342570	Arm, Cassette Holding	
2 - 9	55546920	Contacting Paper, Cover	
2 - 10	55342460	Cover, Lamp	
2 - 11	55342550	Guide, Cassette; R	
2 - 12	55546021	Holder, Cassette; L	
2 - 13	55330471	Plate, Cassette Guide	
2 - 14	* 55546130	Bracket, Cassette Holder; R	
2 - 15	* 55342590	Cushion	
2 - 16	* 55810380	Retainer, Cords; A	
2 - 17	55240350	Spring, Cassette Holder; R	
2 - 18	* 55546410	Bracket, Cassette Holder; F	
2 - 19	* 55443590	Shaft, Cassette Holder; R	
2 - 20	50446600	Switch, Micro	
2 - 21	* 55546250	Bracket, Micro Switch	
2 - 22	55240360	Spring, Cassette Pushing Lever	
2 - 23	* 55443631	Screw, Lever	
2 - 24	* 55546300	Lever, Cassette Pushing	
2 - 25	* 55546860	Lever, Relay	
2 - 26	* 55546210	Lever, Arm Kick	
2 - 27	55240340	Spring, Eject Lever	
2 - 28	51430470	LED (Red)	
2 - 29	51430480	LED (Orange)	
2 - 30	* 51672850	PC Board, LED	
2 - 31	* 55240431	Spring, LED	
2 - 32	* 51682840	PC Board Assy, Operating Section	
	50446320	Switch, Micro (8 used)	
2 - 33	55546160	Plate Spring, M	
2 - 34	55400550	Steel Ball 2 nd	
2 - 35	* 55043130	Holder Assy, Arm Spring	
2 - 36	* 55443620	Spacer, Record Preventing Lever	
2 - 37	55240400	Spring, Record Preventing Lever	
2 - 38	* 55546230	Lever, Record Preventing	
2 - 39	50660190	Head, Record/Playback	
2 - 40	55200021	Spring, Head Adjust.	
2 - 41	50663070	Head, Erase	
2 - 42	* 50831921	Retainer, Leads	
2 - 43	55000033	Pinch Roller Assy	
2 - 44	55200010	Spring, Guide	
2 - 45	55200030	Spring, Pinch Roller	
2 - 46	55042820	Plate Assy, Head Base	
2 - 47	* 55546040	Plate, Record Selector	
2 - 48	* 55546380	Holder, Lamp	
2 - 49	50414660	Lamp	
2 - 50	* 55546280	Lever, Pause; B	
2 - 51	* 55443610	Spacer, Edject Lever	
2 - 52	* 55546331	Lever, Edject	
2 - 53	* 55500070	Bracket, Stoper; Head Base Plate	
2 - 54	55546370	Lever, Edject Preventing	
2 - 55	55240290	Spring, Edject Preventing Lever	
2 - 56	* 55042810	Lock Lever Assy	
2 - 57	55240280	Spring, Lock Lever	
2 - 58	55400560	Steel Ball, 3 rd	
2 - 59	55500040	Plate Spring, Left	
2 - 60	55500050	Plate Spring, Right	
2 - 61	* 55342511	Knob, Edject	
2 - 62	* 55546321	Arm, Edject	
2 - 63	55240410	Spring, Edject Arm	
2 - 64	* 55443670	Shaft, Edject Arm	
2 - 65	* 55546340	Bracket, Edject Arm	

(Continued on page 10.)

EXPLODED VIEW-3



E-206

PARTS LIST-3

REF. NO.	PARTS NO.	DESCRIPTION	REMARKS
3 - 1	* 55546690	Shield Paper, PC Board	
3 - 2	55043080	Motor Assy, Capstan	
3 - 3	* 55810380	Retainer, Cords; A	
3 - 4	* 55546180	Bracket, PC Board	
3 - 5	* 55546350	Plate, Mount.; Motor	
3 - 6	* 55042990	Shaft Assy, Pulley	
3 - 7	51682380	PC Board Assy, Hall-effect Element	
3 - 8	55042980	Pulley Assy, Counter Relay	
3 - 9	55043090	Motor Assy, Fast Wind	
3 - 10	* 55043010	Plate Assy, Motor Base	
3 - 11	55240321	Spring, Tension Arm	
3 - 12	55043020	Arm Assy, Tension	
3 - 13	* 55546290	Plate, Fast Wind Arm	
3 - 14	55042850	Idler Assy, Fast Wind	
3 - 15	* 55443650	Spacer, Fast Wind Arm	
3 - 16	55400550	Steel Ball, 2	
3 - 17	51682811	PC Board Assy, Control	
3 - 18	* 51220030	Connector, Socket; 6P	
3 - 19	51630100	Solenoid, A	
3 - 20	* 55342540	Bracket, Solenoid	
3 - 21	* 55342610	Flywheel Bearing	
3 - 22	* 55342600	Thrust Screw	
3 - 23	* 55043040	Plate Assy, Flywheel Bearing	
3 - 24	51630120	Solenoid, C	
3 - 25	55240470	Spring, Solenoid	
3 - 26	* 55546270	Lever, Brake Release	
3 - 27	55300112	Brake Shoe	
3 - 28	* 55042970	Plate Assy, Brake Solenoid	
3 - 29	55042840	Reel Table Assy, Supply	
3 - 30	55042830	Reel Table Assy, Takeup	
3 - 31	55342530	Belt, Counter; L	
3 - 32	* 55042960	Plate Assy, Brake	
3 - 33	55240310	Spring, Brake	
3 - 34	* 55042950	Holder Assy, Main Lever	
3 - 35	* 55342620	Lever, Main	
3 - 36	55546110	Plate Spring, Pressure	
3 - 37	* 55546240	Bracket, Micro Switch	
3 - 38	50446290	Switch, Micro	
3 - 39	* 50452531	Terminal Strip, 2L-3P	
3 - 40	55240330	Spring, Pause Lever	
3 - 41	* 55546310	Lever, Pause	
3 - 42	* 55443600	Cylinder, Oil Damper	
3 - 43	55240300	Spring, Damper	
3 - 44	* 55443710	Shaft, Damper	
3 - 45	* 55546140	Bracket, Damper	
3 - 46	* 55342580	Lever, Pause Kick	
3 - 47	* 55443660	Shaft, Pause Kick	
3 - 48	50446540	Switch, Micro	
3 - 49	* 55544350	Spacer, Insulator; B	
3 - 50	* 55546360	Bracket, Micro Switch	
3 - 51	* 55546260	Plate, Shaft Retaining	
3 - 52	51630110	Solenoid, B	
3 - 53	* 50438390	Connector, Socket; 16P	
3 - 54	* 50436610	Connector, Plug; 16P	
3 - 55	* 55546200	Bracket, Connector	
3 - 56	* 55500520	Cushion	
3 - 57	* 55000080	Lever Assy, Idler; A	
3 - 58	* 55000090	Lever Assy, Idler; B	
3 - 59	55001040	Idler Assy	
3 - 60	55200110	Spring, Idler Lever; B	
3 - 61	55341780	Belt, Capstan Drive	
3 - 62	55000482	Capstan Drive Assy	
3 - 63	* 55341300	Washer, Oil Retaining	
3 - 64	55500310	Washer, Thrust	

PARTS LIST-4

REF. NO.	PARTS NO.	DESCRIPTION	REMARKS
4 - 1	* 50432740	Connector, Plug; 9P	
4 - 2	* 55810380	Retainer, Cords; A	
4 - 3	* 50435040	Connector, Socket; 9P	
4 - 4	* 55530930	Plate, Socket	
4 - 5	* 55546681	Shield Paper, Record/Playback PC Board	
4 - 6	51682773	PC Board Assy, Record/Playback Ampl.	JAPAN
	51683652	PC Board Assy, Record/Playback Ampl.	All except JAPAN
4 - 7	* 50333110	Hinge, PC Board	
4 - 8	* 55546590	Bracket, PC Board; B	
4 - 9	* 55546600	Bracket, PC Board; C	
4 - 10	* 55341960	Screw, Guide	
4 - 11	* 55510100	Chassis, Front	
4 - 12	51650230	Meter, Peak	JAPAN
	51650240	Meter, V _L	All except JAPAN
4 - 13	* 50939110	Protective Frame	
4 - 14	* 55546531	Plate, Meter	
4 - 15	* 51672870	PC Board, Var. Res	
4 - 16	* 51500900	Var. Res., 100k ohm A x 2	
4 - 17	* 51500910	Var. Res., 20k ohm A x 2	
4 - 18	* 55043390	Plate Assy, Shield, B	
4 - 19	50529050	Spark Killer, 400V AC 0.1 mfd + 120 ohm	JAPAN
	50529060	Spark Killer, 150V AC 0.033 mfd + 120 ohm	U.S.A., CANADA
	51529070	Spark Killer, 400V AC 0.01 mfd + 300 ohm	GENERAL EXPORT
	50529080	Spark Killer, 4700 pfd	EUROPE, U.K., AUSTRALIA
4 - 20	51340090	Switch, Power	All except EUROPE, U.K.
	51340190	Switch, Power	EUROPE, U.K.
4 - 21	55400540	Knob, Power Switch	All except EUROPE, U.K.
	* 55444280	Knob, Power Switch	EUROPE, U.K.
4 - 22	* 55546522	Plate, Power Switch	
4 - 23	51240270	Jack, Phone; Single w/Switch	
4 - 24	51240250	Jack, Phone; Single	
4 - 25	51240260	Jack, Phone; 3 cond.	
4 - 26	* 55546541	Plate Assy, Jack	
4 - 27	55043060	Knob Assy, Lever Switch	
4 - 28	* 51520771	Transformer, Power	JAPAN
	* 51520880	Transformer, Power	U.S.A., CANADA
	* 51520890	Transformer, Power	GENERAL EXPORT
	* 51520900	Transformer, Power	EUROPE, U.K., AUSTRALIA
4 - 29	* 50436610	Connector, Plug; 16P	
4 - 30	* 50438390	Connector, Socket; 16P	
4 - 31	* 55546200	Bracket, Connector	
4 - 32	* 55546970	Felt	
4 - 33	* 55546470	Plate, L	
4 - 34	* 55510090	Chassis, Main	
4 - 35	* 55040290	Mount Foot	
4 - 36	* 50333100	Clamp, Wire; 14 mm	
4 - 37	* 50333090	Clamp, Wire; 20 mm	
4 - 38	* 50276290	Clamp, Wire, B	
4 - 39	* 50332580	Clamp, Wire, E	
4 - 40	* 55546490	Plate, Selector Mask	JAPAN, U.S.A., CANADA, AUSTRALIA
4 - 41	* 55546770	Plate, Solenoid; D	
4 - 42	51630130	Solenoid, D	
4 - 43	* 55043070	Bracket Assy, Solenoid	
4 - 44	55342590	Cushion	
4 - 45	* 55546620	Arm, Record/Playback Select Switch	
4 - 46	55240450	Spring, Switch	
4 - 47	* 55546630	Bracket, Switch Actuator; B	
4 - 48	55240460	Spring, Stud	
4 - 49	* 55341981	Stud, Switch Pushing	
4 - 50	51682881	PC Board Assy, Muting	
4 - 51	* 55530901	Heat Sink	
4 - 52	* 55547550	Bracket, Fuse PC Board	All except JAPAN, GENERAL EXPORT
4 - 53	51682781	PC Board Assy, Power Supply	JAPAN
	51683600	PC Board Assy, Power Supply	All except JAPAN
4 - 54	* 55546610	Bracket, PC Board; E	
4 - 55	* 55546750	Plate, Rear Chassis	

(Continued on page 10.)

PARTS LIST-2 (Continued from page 5.)

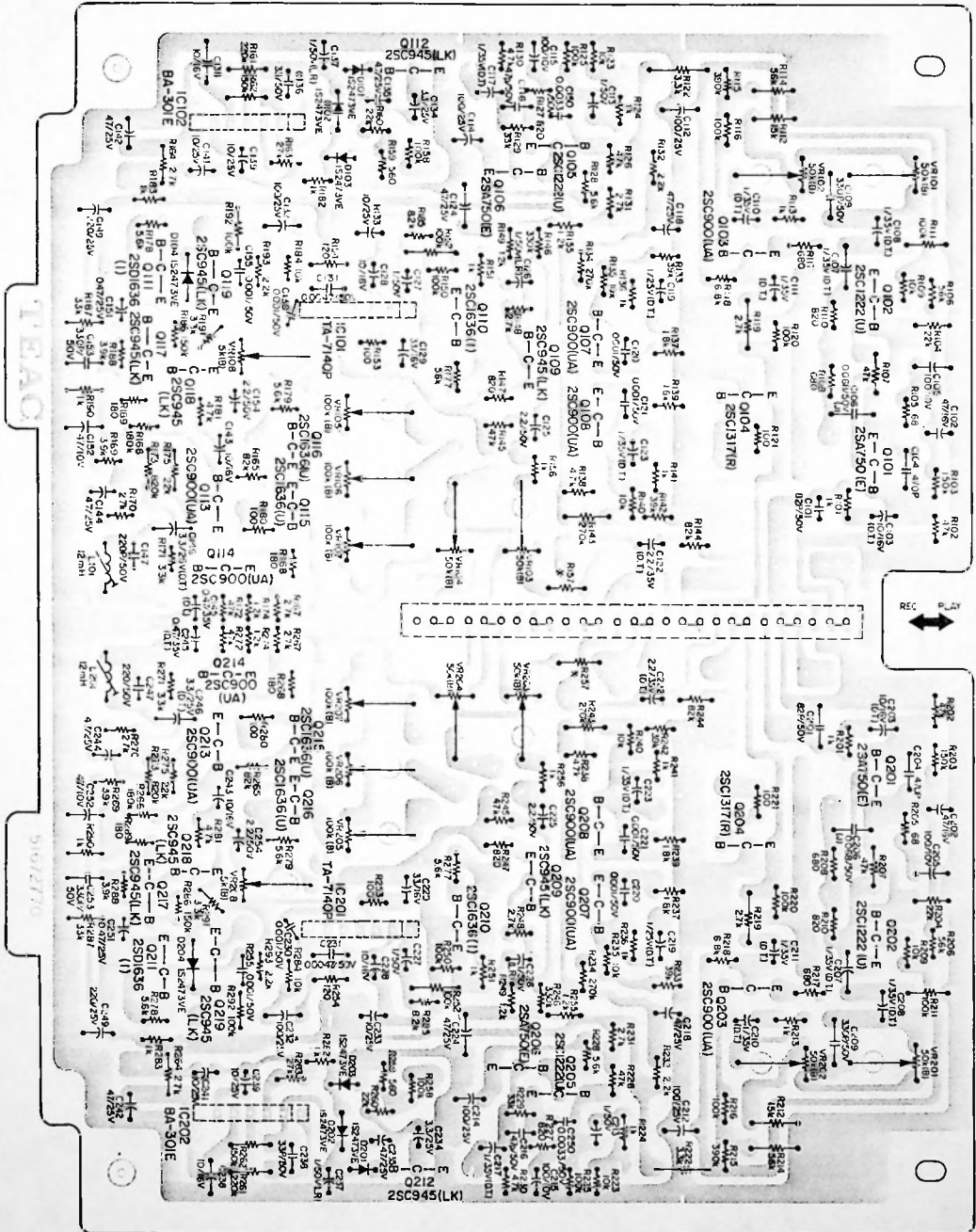
REF. NO.	PARTS NO.	DESCRIPTION	REMARKS
2 - 66	* 55546220	Plate, Head Base	
2 - 67	55240270	Spring, Head Base	
2 - 68	* 55020930	Chassis Assy	
2 - 69	55342650	Counter, Index	
2 - 70	55545040	Mask, Lever Switch	
2 - 71	55440400	Knob, Lever Switch; C	
2 - 72	50447450	Switch, Lever	
2 - 73	* 51672860	PC Board, Memory Switch	
2 - 74	* 55546190	Bracket, Counter Assy	
2 - 75	55342520	Belt, Counter; S	
2 - 76	55030361	Holder Assy, Cassette; U	

PARTS LIST-4 (Continued from page 9.)

REF. NO.	PARTS NO.	DESCRIPTION	REMARKS
4 - 56	* 51682800	PC Board Assy, Input-Output	JAPAN
	* 51682891	PC Board Assy, Input-Output	All except JAPAN
4 - 57	51260200	Terminal Assy	
4 - 58	* 55520900	Chassis, Rear	JAPAN
	* 55520920	Chassis, Rear	U.S.A., CANADA, GENERAL EXPORT, AUSTRALIA
	* 55521250	Chassis, Rear	EUROPE, U.K.
4 - 59	* 50454071	Terminal, Grand	All except EUROPE, U.K.
4 - 60	55341180	Push Rivet	
4 - 61	* 51280270	Cord, AC Power	JAPAN, GENERAL EXPORT
	* 50471661	Cord, AC Power	U.S.A., CANADA
	* 51280180	Cord, AC Power	EUROPE
	* 51280310	Cord, AC Power	AUSTRALIA
	* 51280360	Cord, AC Power	U.K.
	* 50471652	Cord, AC Power	GENERAL EXPORT
4 - 62	* 55300470	Strain Relief, AC Cord	All except EUROPE, U.K.
4 - 63	* 55546580	Bracket, PC Board; A	
4 - 64	* 51672920	PC Board, Trap Coil	
4 - 65	* 55546940	Bracket, Trap Coil PC Board	
4 - 67	51682790	PC Board Assy, Dolby B-type Processor	
4 - 68	* 55546480	Plate, R	
4 - 69	51682822	PC Board Assy, Lever Switch	
4 - 70	51320170	Switch, Lever	
4 - 71	51320210	Switch, Lever	
4 - 72	* 51672830	PC Board, TIMER Switch	JAPAN
	* 51672900	PC Board, FM/COPY Switch	All except JAPAN
4 - 73	* 51320220	Switch, Lever	JAPAN
	* 51320190	Switch, Lever	All except JAPAN
4 - 74	* 55546511	Bracket, Lever Switch	
4 - 75	55240440	Spring, Grounding	
4 - 76	* 55547560	Shield Paper, AC	
4 - 77	51683610	PC Board Assy, Fuse	All except JAPAN, GENERAL EXPORT
	* 50411570	Fuse, 4A (2 used)	U.S.A., CANADA, AUSTRALIA
	* 50411440	Fuse, 2A	U.S.A., CANADA, AUSTRALIA
	* 50411460	Fuse, 500mA	U.S.A., CANADA, AUSTRALIA
	* 50411560	Fuse, 4AF (2 used)	EUROPE, U.K.
	* 50411550	Fuse, 2AF	EUROPE, U.K.
	* 50411540	Fuse, 500mAF	EUROPE, U.K.
4 - 78	51683620	PC Board Assy, VU Level Meter	All except JAPAN
4 - 79	* 51310070	Voltage Selector	GENERAL EXPORT
4 - 80	* 55541690	Plate, Selector	GENERAL EXPORT
4 - 81	* 55340841	Clamp, AC Power Cord	EUROPE, U.K.
4 - 82	* 55547540	Blacket, Clamp	EUROPE, U.K.
4 - 83	* 55548120	Plate, shield	All except JAPAN, U.S.A., CANADA

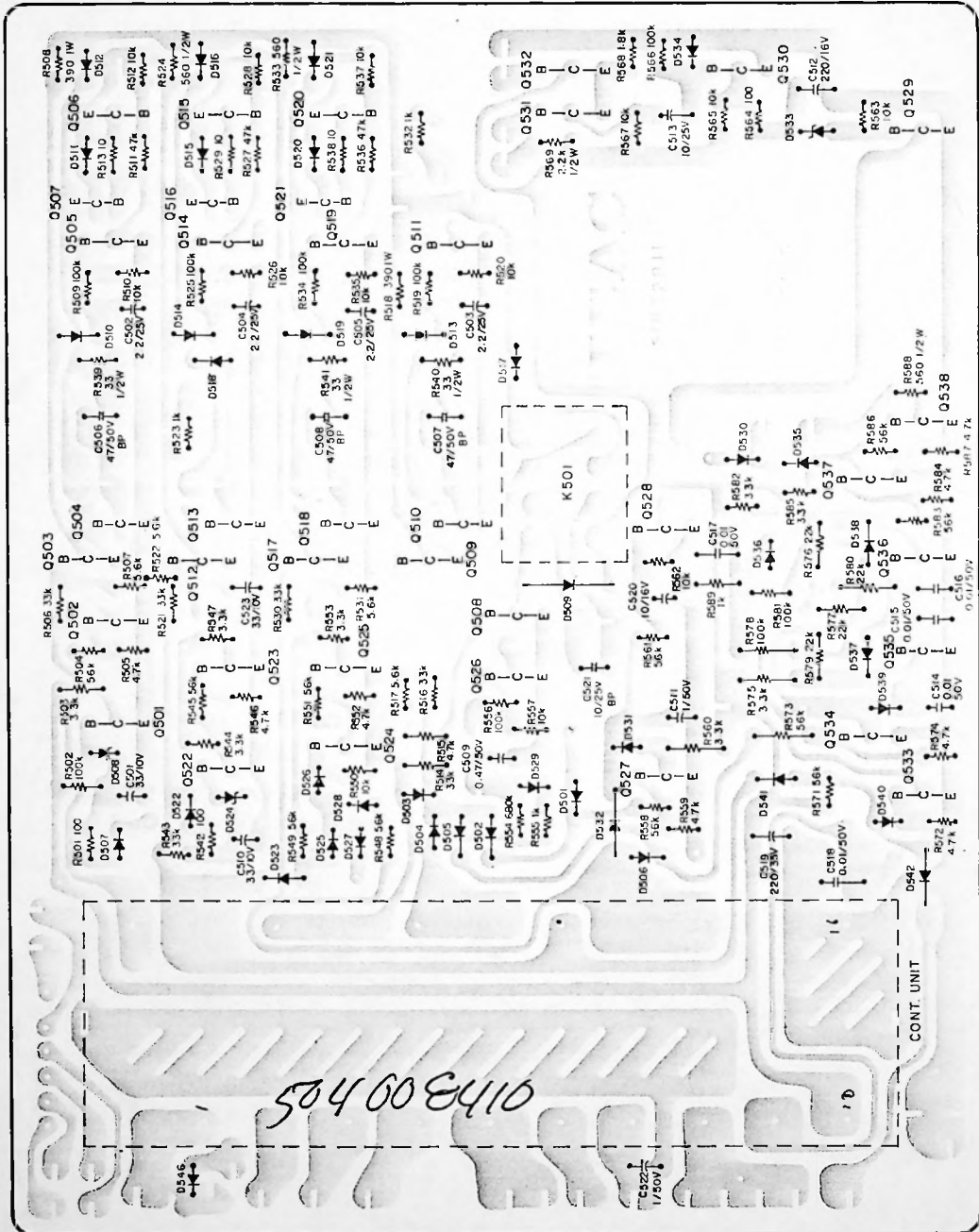
2. PC BOARD SECTION (Diagram)

1. RECORD/PLAYBACK AMPL.

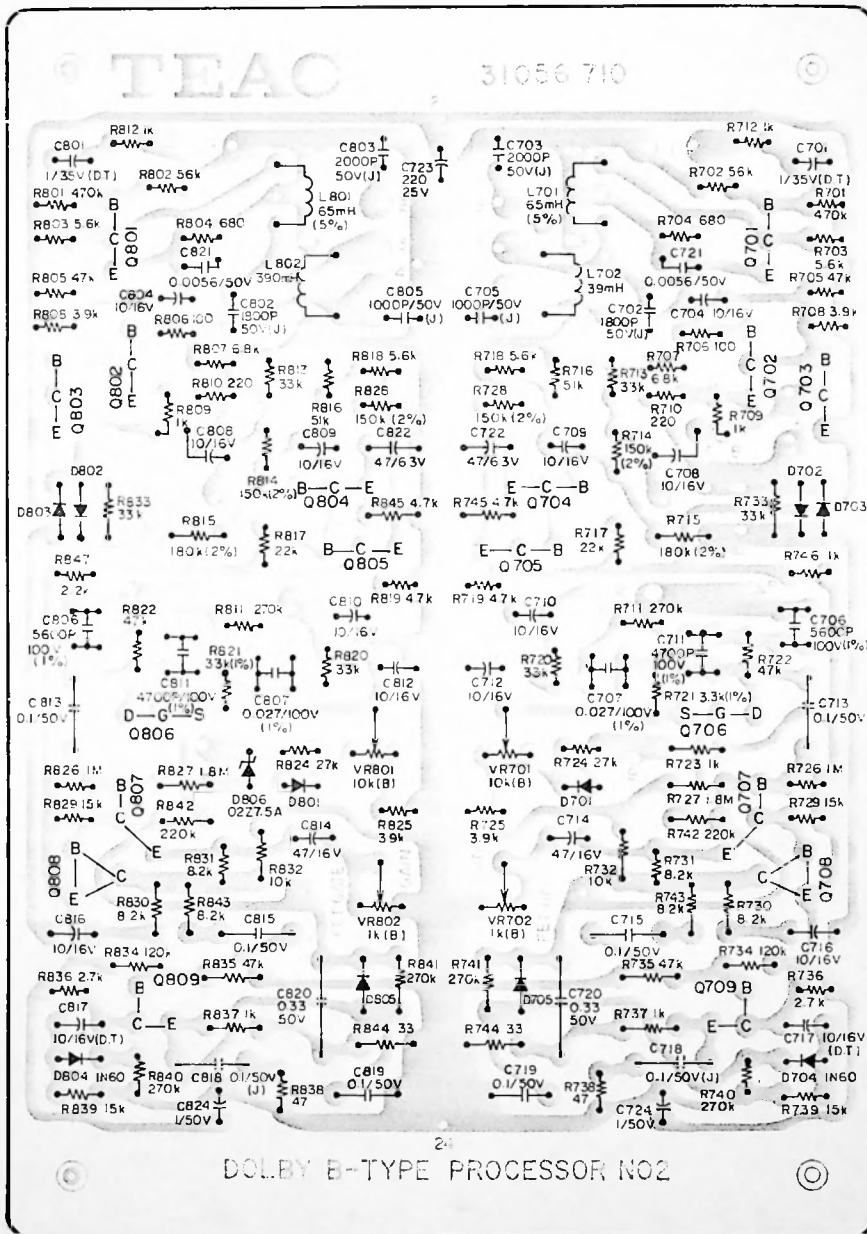


*	JAPAN	All except JAPAN
RI57/R257	68k	27k

2. CONTROL PC BOARD

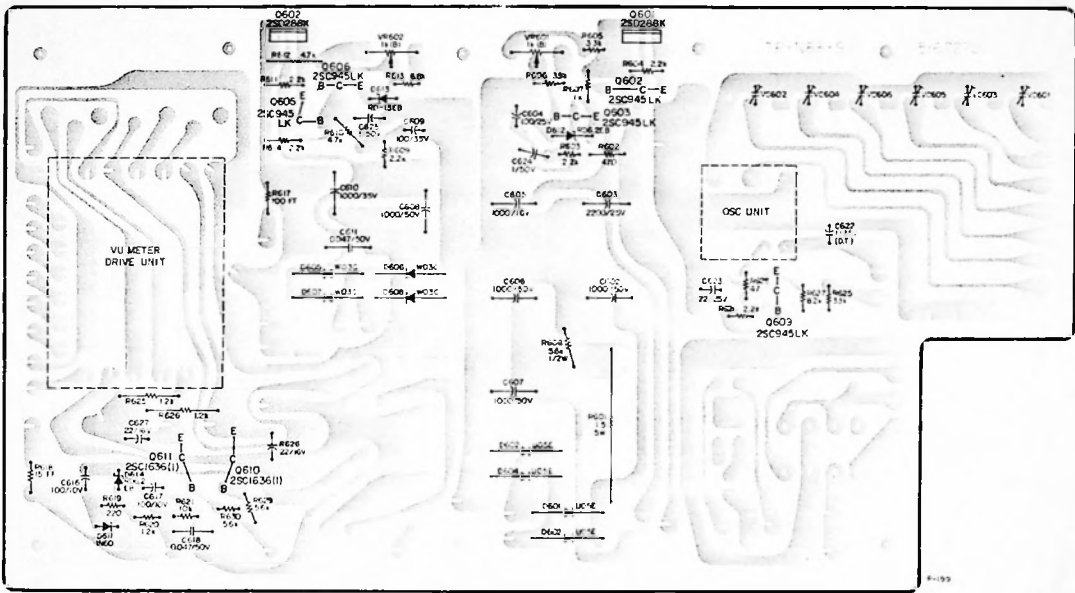


3. DOLBY B TYPE PROCESSOR

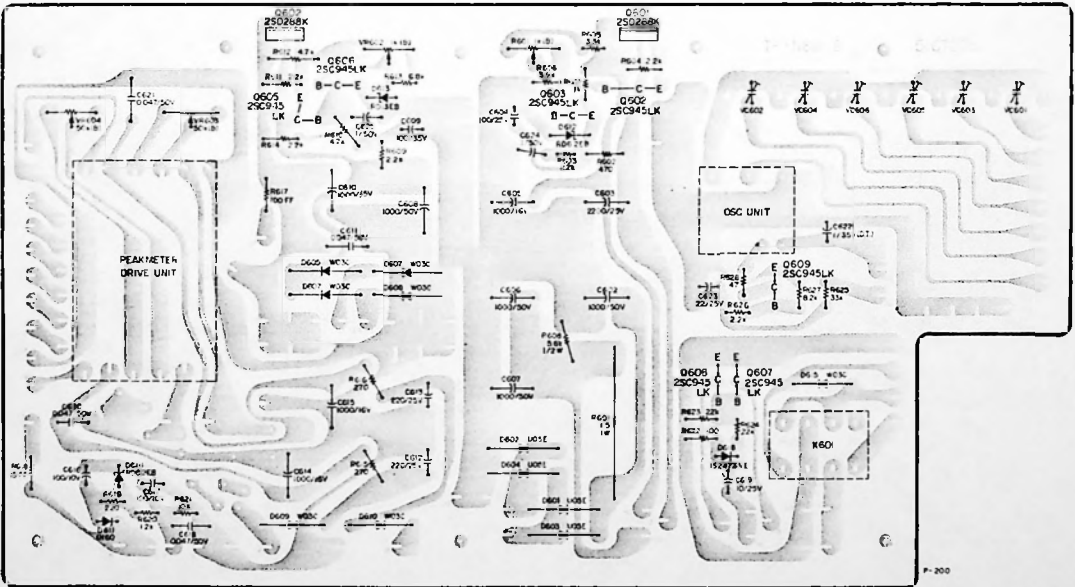


4. POWER SUPPLY

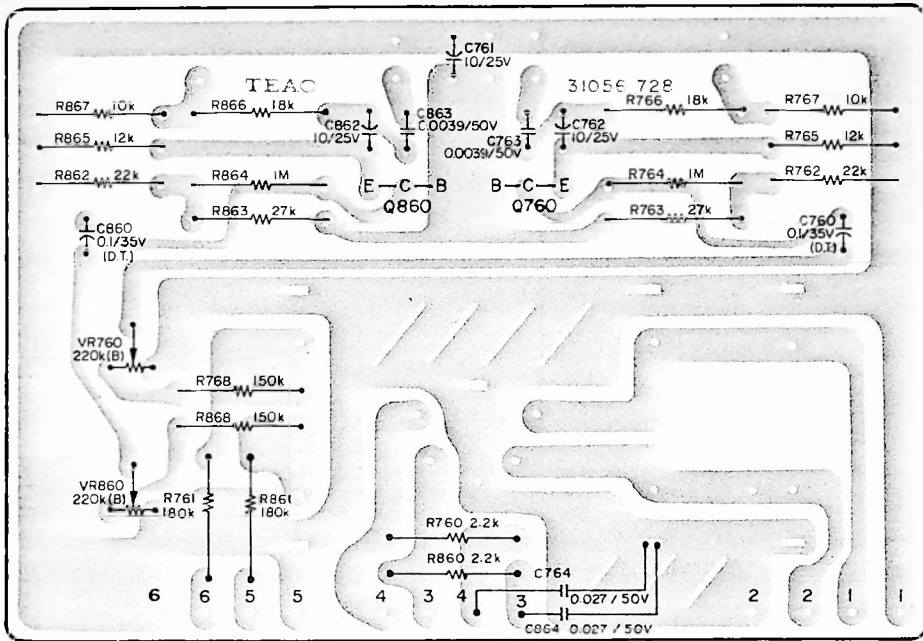
(All except JAPAN)



(JAPAN)

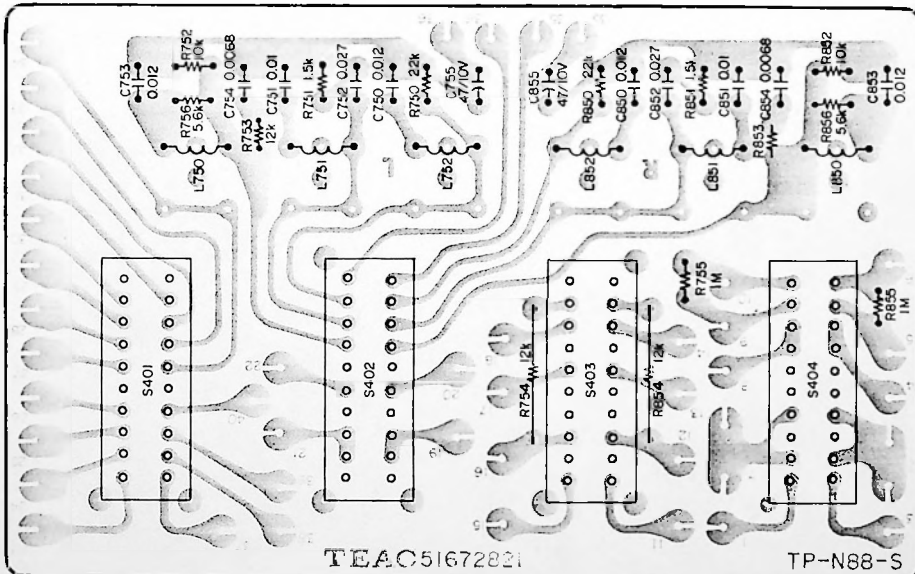


5. INPUT-OUTPUT PC BOARD



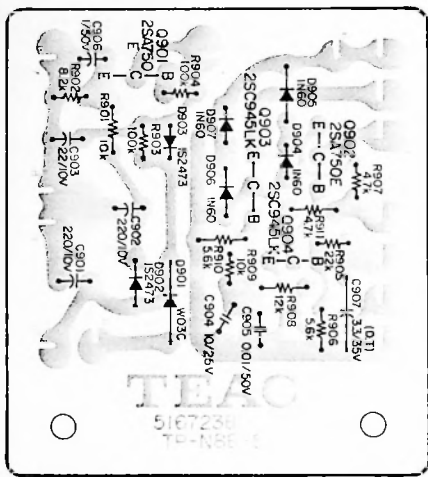
P-204

6. LEVER SWITCH PC BOARD



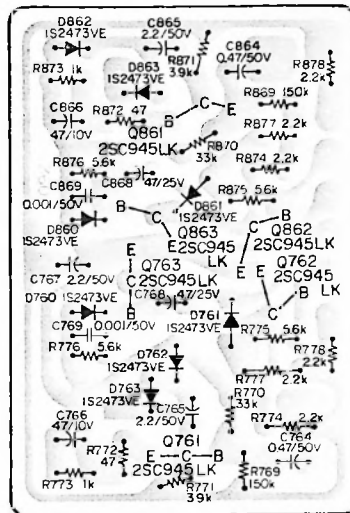
P-203

7. MUTING PC BOARD



P-205

8. VU LEVEL METER PC BOARD



P-206

2. PC BOARD SECTION (Parts List)

1. RECORD/PLAYBACK AMPL.

REF. NO.	PARTS NO.	DESCRIPTION
	51682773	PC Bd. Assy (JAPAN)
	51683650	PC Bd. Assy (All except JAPAN)
	51672772	PC Board
	IC's	
IC101/IC201	50427370	TA - 7140P
IC102/IC202	51470180	BA - 301B
	TRANSISTORS	
Q101/Q201	51450380	2SA750 (E)
Q102/Q202	50425520	2SC1222 (U)
Q103/Q203	51450340	2SC900 (UA)
Q104/Q204	50424670	2SC1317 (R)
Q105/Q205	50425520	2SC1222 (U)
Q106/Q206	51450380	2SA750 (E)
Q107/Q207	51450340	2SC900 (UA)
Q108/Q208	51450340	2SC900 (UA)
Q109/Q209	51450360	2SC945 (LK)
Q110/Q210	50425490	2SC1636 (I)
Q111/Q211	50425490	2SC1636 (I)
Q112/Q212	51450360	2SC945 (LK)
Q113/Q213	51450340	2SC900 (UA)
Q114/Q214	51450340	2SC900 (UA)
Q115/Q215	50425490	2SC1636 (I)
Q116/Q216	50425490	2SC1636 (I)
Q117/Q217	51450360	2SC945 (LK) (All except JAPAN)
Q118/Q218	51450360	2SC945 (LK) (All except JAPAN)
Q119/Q219	51450360	2SC945 (LK) (All except JAPAN)

REF. NO.	PARTS NO.	DESCRIPTION
	DIODES	
D101/D201	50425170	1S2473VE
D102/D202	50425170	1S2473VE
D103/D203	50425170	1S2473VE
D104/D204	50425170	1S2473VE (All except JAPAN)
	CARBON RESISTORS	
All resistors are rated $\pm 5\%$ tolerance and 1/4 watt unless otherwise noted.		
R101/R201	50570820	1k ohm
R102/R202	50571220	47k ohm
R103/R203	50571340	150k ohm
R104/R204	50571140	22k ohm
R105/R205	50570540	68 ohm
R106/R206	50571240	56k ohm
R107/R207	50571220	47k ohm
R108/R208	50570780	680 ohm
R109/R209	50571080	10k ohm
R110/R210	50570800	820 ohm
R111/R211	50571300	100k ohm
R112/R212	50571100	15k ohm
R113/R213	50570820	1k ohm
R114/R214	50571240	56k ohm
R115/R215	50571440	390k ohm
R116/R216	50571300	100k ohm
R117/R217	50570780	680 ohm
R118/R218	50571020	6.8k ohm
R119/R219	50570920	2.7k ohm
R120/R220	50571300	100k ohm

REF. NO.	PARTS NO.	DESCRIPTION
R121/R221	50570580	100 ohm
R122/R222	50570940	3.3k ohm
R123/R223	50571060	10k ohm
R124/R224	50570820	1k ohm
R125/R225	50571300	100k ohm
R126/R226	50571220	47k ohm
R127/R227	50570800	820 ohm
R128/R228	50571000	5.6k ohm
R129/R229	50571180	33k ohm
R130/R230	50570980	4.7k ohm
R131/R231	50570920	2.7k ohm
R132/R232	50570900	2.2k ohm
R133/R233	50571200	39k ohm
R134/R234	50571400	270k ohm
R135/R235	50571060	10k ohm
R136/R236	50570820	1k ohm
R137/R237	50570880	1.8k ohm
R138/R238	50570980	4.7k ohm
R139/R239	50570880	1.8k ohm
R140/R240	50571060	10k ohm
R141/R241	50570820	1k ohm
R142/R242	50571200	39k ohm
R143/R243	50571400	270k ohm
R144/R244	50571280	82k ohm
R145/R245	50571220	47k ohm
R146/R246	50571420	330k ohm
R147/R247	50570800	820 ohm
R148/R248	50570920	2.7k ohm
R149/R249	50570840	1.2k ohm
R150/R250	50571300	100k ohm
R151/R251	50570820	1k ohm
R152/R252	50571300	100k ohm
R153/R253	50570580	100 ohm
R154/R254	50570600	120 ohm
R155/R255	50570840	1.2k ohm
R156/R256	50570820	1k ohm
R157/R257	50571260	68k ohm
R157/R257	50571160	27k ohm
R158/R258	50571300	100k ohm
R159/R259	50570760	560 ohm
R160/R260	50571140	22k ohm
R161/R261	50571380	220k ohm
R162/R262	50571340	150k ohm
R163/R263	50571160	27k ohm
R164/R264	50570920	2.7k ohm
R165/R265	50571280	82k ohm
R166/R266	50571360	180k ohm
R167/R267	50570920	2.7k ohm
R168/R268	50570640	180 ohm
R169/R269	50570960	3.9k ohm
R170/R270	50570920	2.7k ohm
R171/R271	50570940	3.3k ohm
R172/R272	50571220	47k ohm
R173/R273	50571520	820k ohm
R174/R274	50570840	1.2k ohm
R175/R275	50571140	22k ohm
R177/R277	50571000	5.6k ohm
R178/R278	50571000	5.6k ohm
R179/R279	50571000	5.6k ohm
R180/R280	50570580	100 ohm
R181/R281	50570980	4.7k ohm
R182/R282	50570820	1k ohm
R183/R283	50570820	1k ohm
R184/R284	50571060	10k ohm
R185/R285	50571040	8.2k ohm

(JAPAN)
(All except JAPAN)

REF. NO.	PARTS NO.	DESCRIPTION
R186/R286	50571340	150k ohm (All except JAPAN)
R187/R287	50571180	33k ohm (All except JAPAN)
R188/R288	50570960	3.9k ohm (All except JAPAN)
R189/R289	50570640	180 ohm (All except JAPAN)
R190/R290	50570820	1k ohm (All except JAPAN)
R191/R291	50570940	3.3k ohm (All except JAPAN)
R192/R292	50571300	100k ohm (All except JAPAN)
R193/R293	50570900	2.2k ohm (All except JAPAN)

CAPACITORS

C101/C201	50547580	Dip. Mica	82 pfd	50V
C102/C202	50554010	Elec.	47 mfd	16V
C103/C203	50546561	Dip. Tant.	10 mfd	16V
C104/C204	50547560	Dip. Mica	470 pfd	50V
C105/C205	50544570	Elec.	100 mfd	10V
C106/C206	50549260	Mylar	0.068 mfd	50V 5%
C107/C207	50546701	Dip. Tant.	1 mfd	35V
C108/C208	50546701	Dip. Tant.	1 mfd	35V
C109/C209	50547460	Dip. Mica	330 pfd	50V
C110/C210	50546701	Dip. Tant.	1 mfd	35V
C111/C211	50546701	Dip. Tant.	1 mfd	35V
C112/C212	50554170	Elec.	100 mfd	25V
C113/C213	51700860	Elec.	1 mfd	50V (LR)
C114/C214	50554170	Elec.	100 mfd	25V
C115/C215	50554570	Elec.	100 mfd	10V
C116/C216	50547420	Dip. Mica	47 pfd	50V
C117/C217	50546700	Dip. Tant.	1 mfd	35V
C118/C218	50554490	Elec.	47 mfd	25V
C119/C219	50546701	Dip. Tant.	1 mfd	35V
C120/C220	50548320	Mylar	0.001 mfd	50V 10%
C121/C221	50548320	Mylar	0.001 mfd	50V 10%
C122/C222	50546720	Dip. Tant.	2.2 mfd	35V
C123/C223	50546701	Dip. Tant.	1 mfd	35V
C124/C224	50554490	Elec.	47 mfd	25V
C125/C225	50554980	Elec.	2.2 mfd	50V
C126/C226	51700860	Elec.	1 mfd	50V (LR)
C127/C227	50554540	Elec.	1 mfd	50V
C128/C228	50554050	Elec.	10 mfd	16V
C129/C229	50554260	Elec.	33 mfd	16V
C130/C230	50548780	Mylar	0.001 mfd	50V 5%
C131/C231	50548910	Mylar	0.0047 mfd	50V 5%
C132/C232	50554170	Elec.	100 mfd	25V
C133/C233	50554040	Elec.	10 mfd	25V
C134/C234	50554220	Elec.	3.3 mfd	25V
C135/C235	50554530	Elec.	4.7 mfd	25V
C136/C236	50547590	Dip. Mica	33 pfd	50V
C137/C237	51700860	Elec.	1 mfd	50V (LR)
C138/C238	50554050	Elec.	10 mfd	16V
C139/C239	50554040	Elec.	10 mfd	25V
C141/C241	50554040	Elec.	10 mfd	25V
C142/C242	50554490	Elec.	47 mfd	25V
C143/C243	50554050	Elec.	10 mfd	16V
C144/C244	50554530	Elec.	4.7 mfd	25V
C145/C245	50546681	Dip. Tant.	0.47 mfd	35V
C146/C246	50546600	Dip. Tant.	3.3 mfd	25V
C147/C247	50547450	Dip. Mica	220 pfd	50V
C149/C249	50554181	Elec.	220 mfd	25V
C150/C250	50548810	Mylar	0.0033 mfd	50V 5%
C151/C251	50554930	Elec.	0.47 mfd	50V
C152/C252	50554010	Elec.	47 mfd	10V
C153/C253	50547460	Dip. Mica	330 pfd	50V

(All except JAPAN)
(All except JAPAN)
(All except JAPAN)

REF. NO.	PARTS NO.	DESCRIPTION
C154/C254	50554940	Elec. 2.2 mfd 50V (All except JAPAN)
C155/C255	50542030	Ceramic 0.001 mfd 50V (All except JAPAN)

VARIABLE RESISTORS

VR101/VR201	51500570	Semi-fixed, 50k ohm B
VR102/VR202	51500570	Semi-fixed, 50k ohm B
VR103/VR203	51500570	Semi-fixed, 50k ohm B
VR104/VR204	51500570	Semi-fixed, 50k ohm B
VR105/VR205	51501060	Semi-fixed, 100k ohm B
VR106/VR206	51501060	Semi-fixed, 100k ohm B
VR107/VR207	51501060	Semi-fixed, 100k ohm B
VR108/VR208	51500970	Semi-fixed, 5k ohm B (All except JAPAN)

COILS

L101/L201	50566550	Trap, 12mH
-----------	----------	------------

MISCELLANEOUS

S301	50444620	Switch, Slide 9PDT
------	----------	--------------------

2. CONTROL PC BOARD

REF. NO.	PARTS NO.	DESCRIPTION
	51682811	PC Bd. Assy
	51672811	PC Board
TRANSISTORS		
Q501, Q502	51450360	2SC945 (LK)
Q503, Q509	50426250	2SC1318 (S)
Q504, Q510	50425290	2SD389 (P)
Q505	51450360	2SC945 (LK)
Q506, Q515	50425530	2SA733 (P)
Q507, Q516	50425270	2SD288 (K)
Q508, Q511	51450360	2SC945 (LK)
Q512, Q517	50426250	2SC1318 (S)
Q513, Q518	50425290	2SD387 (P)
Q514	51450360	2SC945 (LK)
Q519, Q522	51450360	2SC945 (LK)
Q520	50425530	2SA733 (P)
Q521	50425270	2SD288 (K)
Q523~Q538	51450360	2SC945 (K)
DIODES		
D501~D507	50425170	Silicon 1S2473VE
D508, D524	50425540	Zener RD6.2EB 3%
D509~D521	51430890	Silicon W03C
D522, D523	50425170	Silicon 1S2473VE
D525~D532	50425170	Silicon 1S2473VE
D533	50422640	Zener Q2Z-7.5A
D534~D542	50425170	Silicon 1S2473VE
D546	50425170	Silicon 1S2473VE

REF. NO.	PARTS NO.	DESCRIPTION
RELAY		

K501	50611000	MX2P-0 24V
------	----------	------------

CARBON RESISTORS

All resistors are rated $\pm 5\%$ tolerance, 1/4 watt and of carbon type unless otherwise noted.

R501	50570580	100 ohm
R502	50571300	100k ohm
R503	50570940	3.3k ohm
R504	50571240	56k ohm
R505	50570980	4.7k ohm
R506	50571180	33k ohm
R507	50571000	5.6k ohm
R508	50527370	Metal Oxied Film 390 ohm 1W 10%
R509	50571300	100k ohm
R510	50571060	10k ohm
R511	50571220	47k ohm
R512	50571060	10k ohm
R513	50570340	10 ohm
R514	50571180	33k ohm
R515	50570980	4.7k ohm
R516	50571180	33k ohm
R517	50571000	5.6k ohm
R518	50527370	Metal Oxied Film 390 ohm 1W 10%
R519	50571300	100k ohm
R520	50571060	10k ohm
R521	50571180	33k ohm
R522	50571000	5.6k ohm
R523	50570820	1k ohm
R524	51802760	560 ohm 1/2W
R525	50571300	100k ohm
R526	50571060	10k ohm
R527	50571220	47k ohm
R528	50571060	10k ohm
R529	50570340	10 ohm
R530	50571180	33k ohm
R531	50571000	5.6k ohm
R532	50570820	1k ohm
R533	51802760	560 ohm 1/2W
R534	50571300	100k ohm
R535	50571060	10k ohm
R536	50571220	47k ohm
R537	50571060	10k ohm
R538	50570340	10 ohm
R539~R541	50529300	Fusible Type 33 ohm 1/2W
R542	50570580	100 ohm
R543	50571180	33k ohm
R544	50570940	3.3k ohm
R545	50571240	56k ohm
R546	50570980	4.7k ohm
R547	50570940	3.3k ohm
R548, R549	50571240	56k ohm
R550	50571060	10k ohm
R551	50571240	56k ohm
R552	50570980	4.7k ohm
R553	50570940	3.3k ohm
R554	50571500	680k ohm
R555	50570820	1k ohm
R556	50571300	100k ohm
R557	50571060	10k ohm
R558	50571240	56k ohm
R559	50570980	4.7k ohm
R560	50570940	3.3k ohm

REF. NO.	PARTS NO.	DESCRIPTION
R561	50571240	56k ohm
R562, R563	50571060	10k ohm
R564	50570580	100 ohm
R565	50571060	10k ohm
R566	50571300	100k ohm
R567	50571060	10k ohm
R568	50570880	1.8k ohm
R569	51802900	2.2k ohm 1/2W
R571	50571240	56k ohm
R572	50570980	4.7k ohm
R573	50571240	56k ohm
R574	50570980	4.7k ohm
R575	50570940	3.3k ohm
R576, R577	50571140	22k ohm
R578	50571300	100k ohm
R579, R580	50571140	22k ohm
R581	50571300	100k ohm
R582	50570940	3.3k ohm
R583	50571240	56k ohm
R584	50570980	4.7k ohm
R585	50570940	3.3k ohm
R586	50571240	56k ohm
R587	50570980	4.7k ohm
R588	51802760	560 ohm 1/2W
R589	50570820	1k ohm

CAPACITORS

C501, C510	50546511	Dip. Tant.	33 mfd	10V
C502~C505	50549670	Elec.	2.2 mfd	25V (KU)
C506~C508	50559490	Elec.	47 mfd	50V
			(Bi-Polar)	
C509	50554970	Elec.	0.47 mfd	50V
C511	50554540	Elec.	1 mfd	50V
C512	50554390	Elec.	220 mfd	16V
C513	51700820	Elec.	10 mfd	25V
C514~C518	50542040	Ceramic	0.01 mfd	50V
C519	50554380	Elec.	220 mfd	35V
C520	50554050	Elec.	10 mfd	16V
C521	50559350	Elec.	10 mfd	25V
			(Bi-Polar)	
C522	50554540	Elec.	1 mfd	50V
C523	50546511	Dip. Tant.	33 mfd	10V

MISCELLANEOUS

51220630	Pin Connector, Plug; 6P
----------	-------------------------

3. DOLBY B TYPE PROCESSOR

REF. NO.	PARTS NO.	DESCRIPTION
	51682790	PC Bd. Assy
	51672790	PC Board
TRANSISTORS		
Q701/Q801	50424610	2SC1327 (T) or
	50424340	2SC1000 (BL)
Q702/Q802	50423590	2SC644 (S) or
	50424100	2SC1000 (GR)

REF. NO.	PARTS NO.	DESCRIPTION
Q703/Q803	50424210	2SA666 1 S or
	50424320	2SA493 (GR) 21
Q704/Q804	50424940	2SC900 (E)
Q705/Q805	50423590	2SC644 (S) or
	50424100	2SC1000 (GR)
Q706/Q806	57240981	FET 2SK30 (DA) or
	57240991	FET 2SK30 (DB)
Q707/Q807	50424610	2SC1327 (T)
	50424100	2SC1000 (GR)
Q708/Q808	50424210	2SA666 1 S
	50424320	2SA493 (GR) 21
Q709/Q809	50424940	2SC900 (E)

DIODES

D701/D801	50422330	Silicon	M8513A - O
D702/D802	50422330	Silicon	M8513A - O
D703/D803	50422330	Silicon	M8513A - O
D704/D804	50422170	Germanium	1N60
D705/D805	50422330	Silicon	M8513A - O
D806	50422640	Zener	02Z - 7.5A

CARBON RESISTORS

All resistors are rated $\pm 5\%$ tolerance and 1/4 watt unless otherwise noted.

R701/R801	50571460	470k ohm
R702/R802	50571240	56k ohm
R703/R803	50571000	5.6k ohm
R704/R804	50570780	680 ohm
R705/R805	50571220	47k ohm
R706/R806	50570580	100 ohm
R707/R807	50571020	6.8k ohm
R708/R808	50570960	3.9k ohm
R709/R809	50570820	1k ohm
R710/R810	50570660	220 ohm
R711/R811	50571400	270k ohm
R712/R812	50570820	1k ohm
R713/R813	50571180	33k ohm
R714/R814	50529510	150k ohm 2%
R715/R815	50529520	180k ohm 2%
R716/R816	50571230	51k ohm
R717/R817	50571140	22k ohm
R718/R818	50571000	5.6k ohm
R719/R819	50570980	4.7k ohm
R720/R820	50571180	33k ohm
R721/R821	50529630	3.3k ohm 1%
R722/R822	50571220	47k ohm
R723	50570820	1k ohm
R724/R824	50571160	27k ohm
R725/R825	50570960	3.9k ohm
R726/R826	50571540	1 Mohm
R727/R827	50571600	1.8 Mohm
R728/R828	50529510	150k ohm 2%
R729/R829	50571100	15k ohm
R730/R830	50571040	8.2k ohm
R731/R831	50571040	8.2k ohm
R732/R832	50571060	10k ohm
R733/R833	50571180	33k ohm
R734/R834	50571320	120k ohm
R735/R835	50571220	47k ohm
R736/R836	50570920	2.7k ohm
R737/R837	50570820	1k ohm
R738/R838	50570520	47 ohm
R739/R839	50571100	15k ohm
R740/R840	50571400	270k ohm

REF. NO.	PARTS NO.	DESCRIPTION
R741/R841	50571400	270k ohm
R742/R842	50571380	220k ohm
R743/R843	50571040	8.2k ohm
R744/R844	50570460	33 ohm
R745/R845	50570980	4.7k ohm
R746	50570820	1k ohm
R747	50570900	2.2k ohm

CAPACITORS

C701/C801	50546701	Dip. Tant.	1 mfd	35V
C702/C802	50539900	Polyst.	1800 pfd	50V 5%
C703/C803	50544070	Polyst.	2000 pfd	50V 5%
C704/C804	50554050	Elec.	10 mfd	16V
C705/C805	50543980	Polyst.	1000 pfd	50V 5%
C706/C806	51700130	Meta. Polyst.	0.0056 mfd	100V 1%
C707/C807	51700140	Meta. Polyst.	0.027 mfd	100V 1%
C708/C808	50554050	Elec.	10 mfd	16V
C709/C809	50554050	Elec.	10 mfd	16V
C710/C810	50554050	Elec.	10 mfd	16V
C711/C811	51700120	Meta Polyst.	0.0047 mfd	100V 1%
C712/C812	50554050	Elec.	10 mfd	16V
C713/C813	50548040	Mylar	0.1 mfd	50V 10%
C714/C814	50554010	Elec.	47 mfd	16V
C715/C815	50548040	Mylar	0.1 mfd	50V 10%
C716/C816	50554050	Elec.	10 mfd	16V
C717/C817	50546561	Dip. Tant.	10 mfd	16V
C718/C818	50549280	Mylar	0.1 mfd	50V 5%
C719/C819	50548040	Mylar	0.1 mfd	50V 10%
C720/C820	50548830	Metalized Mylar	0.33 mfd	50V 10%
C721/C821	50548920	Mylar	0.0056 mfd	50V 5%
C722/C822	50554030	Elec.	47 mfd	6.3V
C723	50554180	Elec.	220 mfd	25V
C724/C824	50554540	Elec.	1 mfd	50V

VARIABLE RESISTORS

VR701/VR801	50533480	Semi-fixed	10k ohm B
VR702/VR802	50533500	Semi-fixed	1k ohm B

COILS

L701/L801	57244060	Choke, 65mH	5% (Fixed)
L702/L802	57244050	Choke, 39mH	(Adjustable)

MISCELLANEOUS

57240420	Pin, F3 Type (5 used)
----------	-----------------------

4. POWER SUPPLY

REF. NO.	PARTS NO.	DESCRIPTION
	51682781	PC Bd. Assy (JAPAN)
	51683600	PC Bd. Assy (All except JAPAN)
	51672781	PC Board

REF. NO.	PARTS NO.	DESCRIPTION
TRANSISTORS		
Q601, Q604	50425270	2SD288 (K)
Q602, Q603	51450360	2SC945 (LK)
Q605, Q606	51450360	2SC945 (LK)
Q607~Q609	51450360	2SC945 (LK) (JAPAN)
Q610, Q611	50425490	2SC1636 (I) (All except JAPAN)

DIODES

D601~D604	51430183	Silicon	U05E
D605~D608	51430890	Silicon	W03C
D609~D610	51430890	Silicon	W03C (JAPAN)
D611	50422130	Silicon	1N60
D612, D614	50425540	Zener	RD6.2EB 3%
D613	50430860	Zener	RD13E 3%
D615	51430890	Silicon	W03C (JAPAN)
D616	50425170	Silicon	1S2473VE (JAPAN)

RELAY

K601	50611000	MX2P-0	24V	(JAPAN)
------	----------	--------	-----	---------

CARBON RESISTORS

All resistors are rated $\pm 5\%$ tolerance, 1/4 watt and of carbon type unless otherwise noted.

R601	50520570	Cement	1.5 ohm	5W
R602	50570740	Fusible Type	470 ohm	
R603, R604	50570900		2.2k ohm	
R605	50570940		3.3k ohm	
R606	50570960		3.9k ohm	
R607	50570820		1k ohm	
R608	51803000		5.6k ohm	1/2W
R609	50570900		2.2k ohm	
R610	50570980		4.7k ohm	
R611	50570900		2.2k ohm	
R612	50570980		4.7k ohm	
R613	50571020		6.8k ohm	
R614	50570900		2.2k ohm	
R615, R616	50570680		270 ohm	(JAPAN)
R617	50529310	Fusible Type	100 ohm	
R618	50529320	Fusible Type	15 ohm	
R619	50570660		220 ohm	
R620	50570840		1.2k ohm	
R621	50571060		10k ohm	(JAPAN)
R622	50570580		100 ohm	(JAPAN)
R623, R624	50571140		22k ohm	(JAPAN)
R625	50571180		33k ohm	(JAPAN)
R631	50570840		1.2k ohm	(All except JAPAN)
R626	50570900		2.2k ohm	(JAPAN)
R632	50570840		1.2k ohm	(All except JAPAN)
R627	50571040		8.2k ohm	
R628	50570500		47 ohm	
R629, R630	50571000		5.6k ohm	(All except JAPAN)

CAPACITORS

C602	50555850	Elec.	1000 mfd	50V
C603	50557140	Elec.	2200 mfd	25V
C604	50554170	Elec.	100 mfd	25V
C605	50554890	Elec.	1000 mfd	16V
C606~C608	50555850	Elec.	1000 mfd	50V
C609	50554630	Elec.	100 mfd	35V
C610	51700110	Elec.	1000 mfd	35V

REF. NO.	PARTS NO.	DESCRIPTION
C611	50542300	Ceramic 0.047 mfd 50V
C612, C613	50554180	Elec. 220 mfd 25V (JAPAN)
C614, C615	50554890	Elec. 1000 mfd 16V (JAPAN)
C616, C617	50554570	Elec. 100 mfd 10V
C618	50542300	Ceramic 0.047 mfd 50V
C619	50554040	Elec. 10 mfd 25V (JAPAN)
C620, C621	50542300	Ceramic 0.047 mfd 50V (JAPAN)
C622	50546701	Dip. Tant. 1 mfd 35V
C623	50554950	Elec. 22 mfd 25V
C624, C625	50554540	Elec. 1 mfd 50V
C626, C627	50555370	Elec. 22 mfd 16V (All except JAPAN)

VARIABLE RESISTORS

VR601, VR602	50534200	Semi-fixed 1k ohm B
VR603, VR604	50534380	Semi-fixed 50k ohm B (JAPAN)

TRIMMER CAPACITORS

VC601~VC606	51700180	220 pfd Max.
-------------	----------	--------------

MISCELLANEOUS

50400860	Oscillator Unit	
50400850	P.P.M. Drive Ampl. Unit	(JAPAN)
50332910	Plate, Insulator	
50339250	Washer, Insulator	

5. INPUT-OUTPUT PC BOARD

REF. NO.	PARTS NO.	DESCRIPTION
	51682800	PC Bd. Assy (JAPAN)
	51682890	PC Bd. Assy (All except JAPAN)
	51672800	PC Board
TRANSISTORS		
Q760/Q860	57240981	FET 2SK30 (DA) or
	57240991	FET 2SK30 (DB) (All except JAPAN)

CARBON RESISTORS

All resistors are rated $\pm 5\%$ tolerance and 1/4 watt.

R760/R860	50572900	2.2k ohm
R761/R861	50573360	180k ohm
R762/R862	50573140	22k ohm (All except JAPAN)
R763/R863	50573160	27k ohm (All except JAPAN)
R764/R864	50573540	1M ohm (All except JAPAN)
R765/R865	50573080	12k ohm (All except JAPAN)
R766/R866	50573120	18k ohm (All except JAPAN)
R767/R867	50573060	10k ohm (All except JAPAN)
R768/R868	50573340	150k ohm (All except JAPAN)

REF. NO.	PARTS NO.	DESCRIPTION
CAPACITORS		
C760/C860	50554540	Dip. Tant. 0.1 mfd 35V (All except JAPAN)
C761	50554040	Dip. Tant. 10 mfd 25V (All except JAPAN)
C762/C862	50554040	Dip. Tant. 10 mfd 25V (All except JAPAN)
C763/C863	50548900	Mylar 0.0039 mfd 50V 5% (All except JAPAN)
C764/C864	50548330	Mylar 0.027 mfd 50V 10%

VARIABLE RESISTORS

VR760/VR860	50534420	Semi-fixed 220k ohm B (All except JAPAN)
-------------	----------	---

6. LEVER SWITCH PC BOARD

REF. NO.	PARTS NO.	DESCRIPTION
	51682820	PC Bd. Assy
	51672820	PC Board
CARBON RESISTORS		
All resistor are rated $\pm 5\%$ tolerance and 1/4 watt.		
R750/R850	50571140	22k ohm
R751/R851	50570860	1.5k ohm
R752/R852	50571060	10k ohm
R753/R853	50571080	12k ohm
R754/R854	50573080	12k ohm
R755/R855	50571540	1 Mohm
R756/R856	50571000	5.6k ohm

CAPACITORS

C750/C850	50548950	Mylar 0.012 mfd 50V 5%
C751/C851	50548770	Mylar 0.01 mfd 50V 5%
C752/C852	50548990	Mylar 0.027 mfd 50V 5%
C753/C853	50548950	Mylar 0.012 mfd 50V 5%
C754/C854	50548930	Mylar 0.0068 mfd 50V 5%
C755/C855	50555540	Elec. 47 mfd 10V

COILS

L750/L850	50562630	Record EQ, 10mH
L751/L851	50562630	Record EQ, 10mH
L752/L852	50562640	Record EQ, 12mH

MISCELLANEOUS

S401/S402	51320170	Switch, Lever; 4P3T
S403	51320210	Switch, Lever; 4PDT
S404	51320170	Switch, Lever; 4P3T

7. MUTING PC BOARD

REF. NO.	PARTS NO.	DESCRIPTION
	51682881	PC Bd. Assy
	51672881	PC Board
TRANSISTORS		
Q901, Q902	51450380	2SA750(E)
Q903, Q904	51450360	2SC945(LK)
DIODES		
D901	51430890	Silicon W03C
D902, D903	50425170	Silicon 1S2473VE
D904~D907	50422130	Germanium 1N60
CARBON RESISTORS		
All resistors are rated $\pm 5\%$ tolerans and 1/4 watt.		
R901	50571060	10k ohm
R902	50571040	8.2k ohm
R903, R904	50571300	100k ohm
R905	50571140	22k ohm
R906	50571000	5.6k ohm
R907	50570980	4.7k ohm
R908	50571080	12k ohm
R909	50571060	10k ohm
R910	50571000	5.6k ohm
R911	50570980	4.7k ohm
CAPACITORS		
C901, C902	50554910	Elec. 220 mfd 10V
C903	50554720	Elec. 22 mfd 10V
C904	50546631	Dip. Tant. 10 mfd 25V
C905	50542040	Ceramic 0.01 mfd 50V
C906	50554540	Elec. 1 mfd 50V
C907	50546730	Dip. Tant. 3.3 mfd 35V

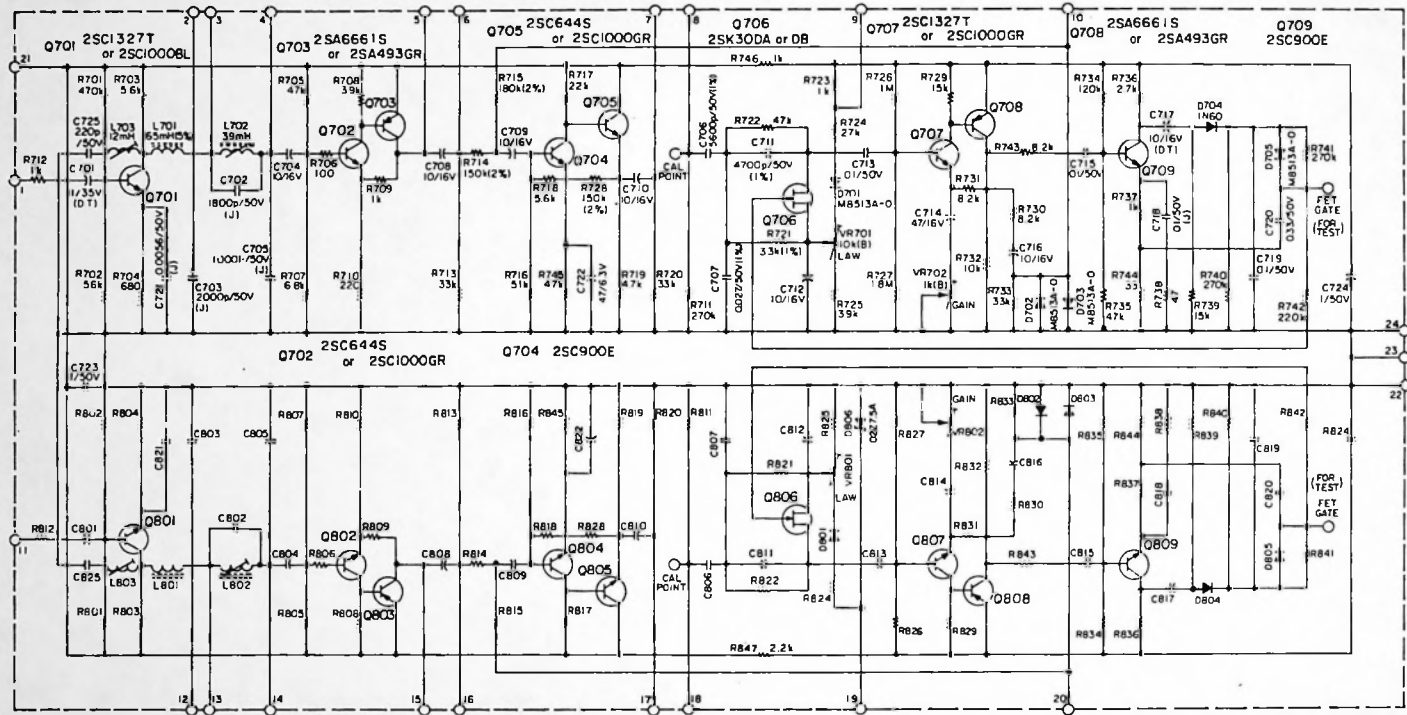
8. VU LEVEL METER PC BOARD

(All except JAPAN)

REF. NO.	PARTS NO.	DESCRIPTION
	51683620	PC Bd. Assy
	51673620	PC Board
TRANSISTORS		
Q761/Q861	51450360	2SC945(LK)
Q762/Q862	51450360	2SC945(LK)
Q763/Q863	51450360	2SC945(LK)
SILICON DIODES		
D760/D860	50425170	1S2473VE
D761/D861	50425170	1S2473VE
D762/D862	50425170	1S2473VE
D763/D863	50425170	1S2473VE
CARBON RESISTORS		
All resistors are rated $\pm 5\%$ tolerance and 1/4 watt.		
R769/R869	50571340	150k ohm
R770/R870	50571180	33k ohm
R771/R871	50570960	3.9k ohm
R772/R872	50570500	47 ohm
R773/R873	50570820	1k ohm
R774/R874	50570900	2.2k ohm
R775/R875	50571000	5.6k ohm
R776/R876	50571000	5.6k ohm
R777/R877	50570820	2.2k ohm
R778/R878	50570820	2.2k ohm
CAPACITORS		
C764/C864	50554930	Elec. 0.47 mfd 50V
C765/C865	50554940	Elec. 2.2 mfd 50V
C766/C866	50554010	Elec. 47 mfd 10V
C767	50554940	Elec. 2.2 mfd 50V
C768/C868	50554080	Elec. 4.7 mfd 25V
C769/C869	50548770	Mylar 0.001 mfd 50V 10%

INCLUDED ACCESSORIES

REF. NO.	PARTS NO.	DESCRIPTION	REMARKS
	51280010	Cords, Input-Output Connection, 2 used	
	57100300	Cleaning Stick (TZ-275)	
	50291350	Silicone Cloth	
	51013690	Information Supplement, Cassette	JAPAN
	51013450	Information Supplement, Cassette	U.S.A., CANADA
	51014130	Information Supplement, Cassette	GENERAL EXPORT, EUROPE, U.K., AUSTRALIA
	51013680	A-650 Owner's Manual	JAPAN
	51014110	A-650 Owner's Manual	U.S.A., CANADA
	51014120	A-650 Owner's Manual	GENERAL EXPORT, EUROPE, U.K., AUSTRALIA



NOTES

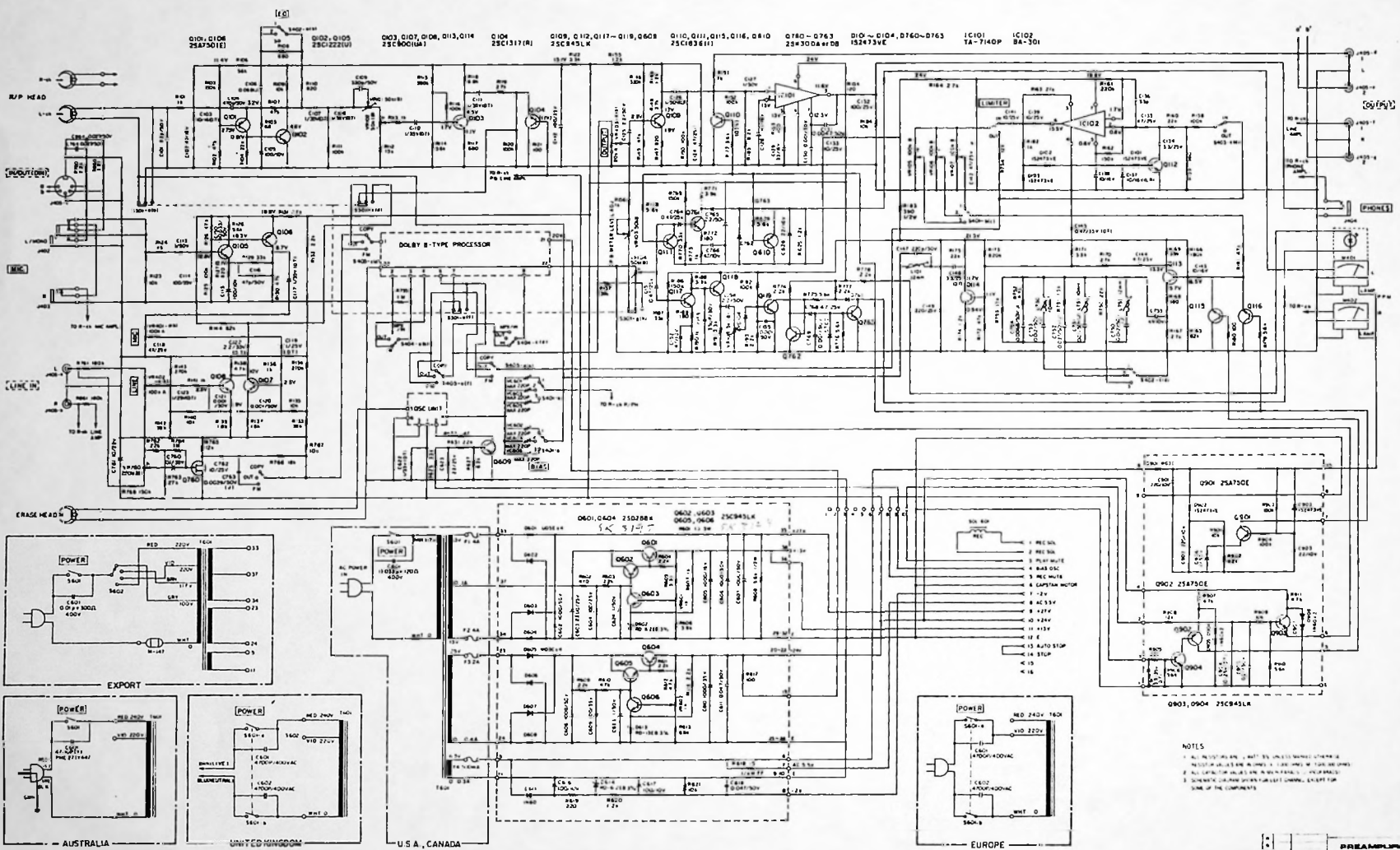
1. ALL RESISTORS ARE 1/2 WATT, 5%, UNLESS MARKED OTHERWISE. RESISTOR VALUES ARE IN OHMS (Ω), 1,000 OHMS, M = 1,000,000 OHMS)
2. ALL CAPACITOR VALUES ARE IN MICROFARADS (μ = PICOFARADS)

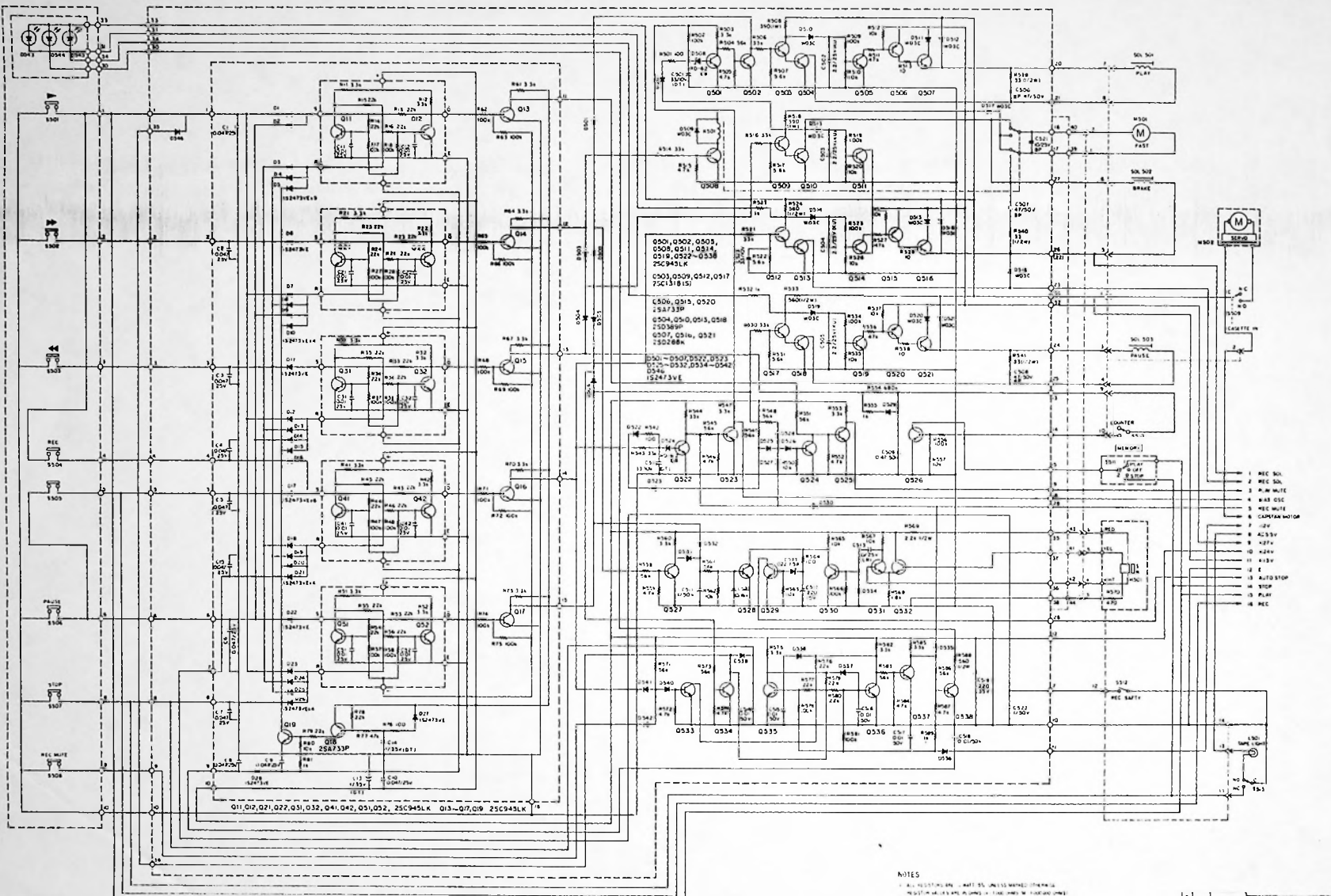
8		
6		
4		
3		
2	04 76	
1	12 78	

DOLBY B-TYPE
PROCESSOR

A-850

TEAC CORPORATION





Q11, Q12, Q21, Q22, Q31, Q32, Q41, Q42, Q51, Q52, 25C945LK Q13-Q17, Q19, 25C945LK

- 1 REC SOL
- 2 REC SOL
- 3 REC MUTE
- 4 REC OSC
- 5 REC MUTE
- 6 CAPTAN MOTOR
- 7 JAW
- 8 AC23V
- 9 23V
- 10 23V
- 11 23V
- 12 I
- 13 AUTO STOP
- 14 STOP
- 15 REC MUTE
- 16 REC

NOTES
 1. ALL RELAYS ARE 1/2" WIDE 5/8" DEEP
 2. ALL CONTACTS ARE 1/8" WIDE 1/4" DEEP
 3. ALL CONTACTS ARE TO BE WELDED TO THE CONTACTS

CONTROL
 A-850
 ERAB SYSTEMS

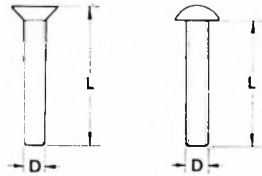
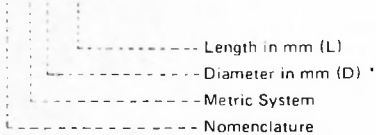
ASSEMBLING HARDWARE CODING LIST

All screws conform to ISO standards, and have crossrecessed heads, unless otherwise noted. ISO screws have the head inscribed with a point as in the figure to the right.



FOR EXAMPLE:

B M 3 x 6



* Inner dia. for washers and nuts

	Code	Name	Type		Code	Name	Type
MACHINE SCREW	R	Round Head Screw		TAPPING SCREW	BTA	Binding Head Tapping Screw(A Type)	
	P	Pan Head Screw			BTB	Binding Head Tapping Screw(B Type)	
	T	Stove Head Screw (Truss)			RTA	Round Head Tapping Screw(A Type)	
	B	Binding Head Screw			RTB	Round Head Tapping Screw(B Type)	
	F	Flat Countersunk Head Screw		SETSCREW	SF	Hex Socket Setscrew(Flat Point)	
	O	Oval Countersunk Head Screw			SC	Hex Socket Setscrew(Cup Point)	
WOOD SCREW	RW	Round Head Wood Screw			SS	Slotted Socket Setscrew(Flat Point)	
	FW	Flat Countersunk Wood Screw		WASHER	E	E-Ring (Retaining Washer)	
	OW	Oval Countersunk Wood Screw			W	Flat Washer (Plain)	
SEMS SCREW	BSA	Binding Head SEMS Screw(A Type)			SW	Lock Washer (Spring)	
	BSB	Binding Head SEMS Screw(B Type)			LWI	Lock Washer (Internal Teeth)	
	BSF	Binding Head SEMS Screw(F Type)			LWE	Lock Washer (External Teeth)	
	PSA	Pan Head SEMS Screw(A Type)			TW	Trim Washer (Countersunk)	
	PSB	Pan Head SEMS Screw(B Type)		NUT	N	Hex Nut	

A-650

Stereo Cassette Deck with Dolby System

17th Dec. 7

*40⁶⁰
+ 2*

TEAC

TEAC CORPORATION

3-7-3, NAKA-CHO, MUSASHINO, TOKYO PHONE: (0422) 53-1111

TEAC CORPORATION OF AMERICA

7733 TELEGRAPH ROAD, MONTEBELLO, CALIFORNIA 90640 PHONE: (213) 726-0303

TEAC HONGKONG LIMITED

FLAT 78, PORTLAND HOUSE, 7TH FLOOR, BLOCK C, No. 41-D, MA TAU WEI ROAD,
KOWLOON, HONG KONG PHONE: 3-659071-4