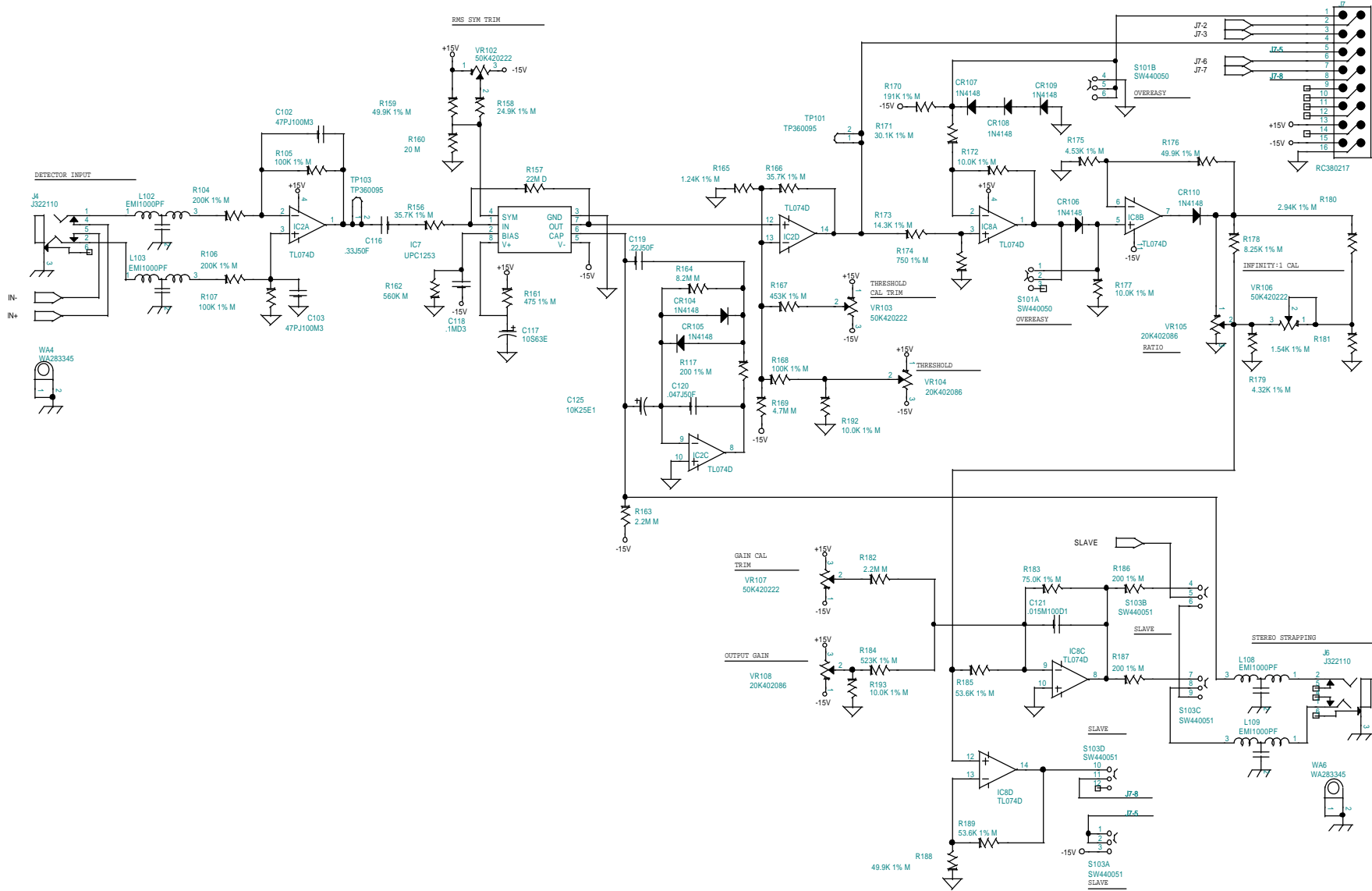
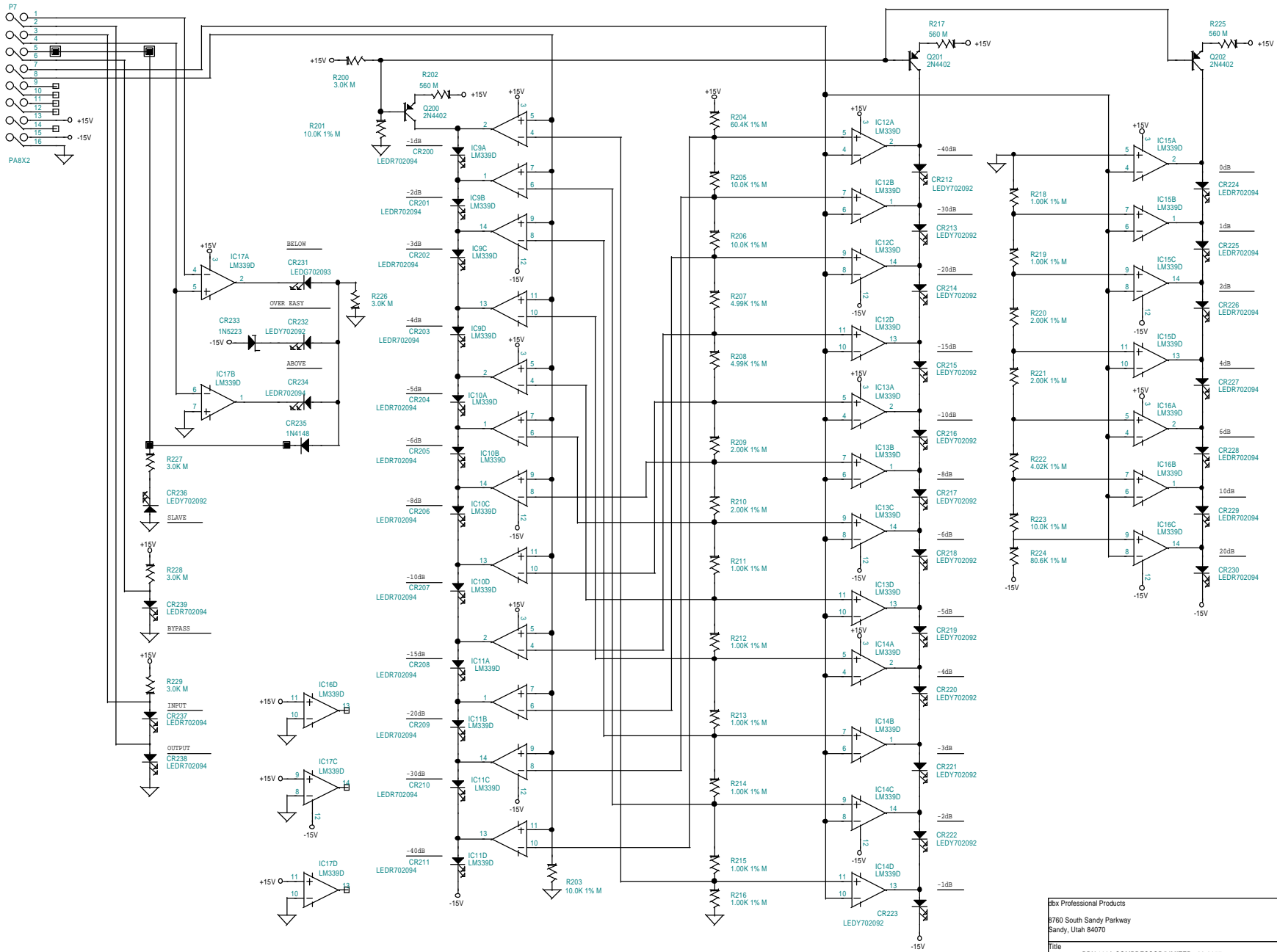


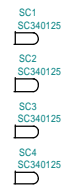
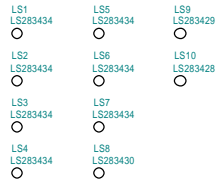
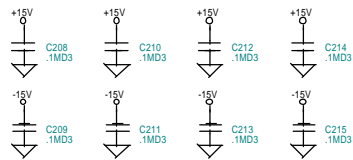
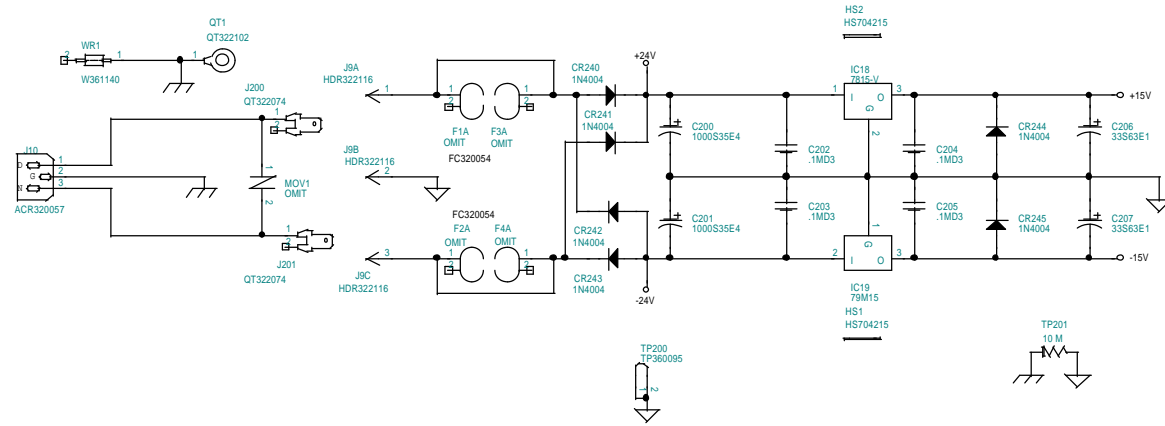
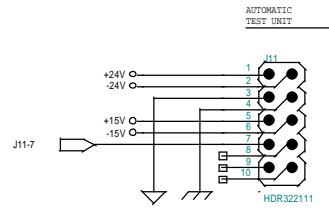
dbx Professional Products 8760 South Sandy Parkway Sandy, Utah 84070		
Title DBX 160A COMPRESSOR/LIMITER 80-6157		
Size B	Document Number 056157AA.001	Rev AA
Date Thursday, April 20, 2000	Sheet 1 of 4	



dbx Professional Products 8760 South Sandy Parkway Sandy, Utah 84070		
Title DBX 160A COMPRESSOR/LIMITER 80-6157		
Size B	Document Number 056157AA.002	Rev AA
Date: Thursday, March 23, 2000 Sheet 2 of 4		



dbx Professional Products 8760 South Sandy Parkway Sandy, Utah 84070		
Title DBX 160A COMPRESSOR/LIMITER 80-6157		
Size B	Document Number 056157AA.003	Rev AA
Date: Thursday, March 23, 2000 Sheet 3 of 4		



dbx Professional Products 8760 South Sandy Parkway Sandy, Utah 84070		
Title DBX 160A COMPRESSOR/LIMITER 80-6157		
Size B	Document Number 056157AA.004	Rev AA
Date: Thursday, April 20, 2000 Sheet 4 of 4		

DBX 160A COMPRESSOR/LIMITER 80-6157 Revised: March 19, 1997
 056157AA.000 Revision: AA
 Bill Of Materials March 19, 1997 8:51:55
 Quan Reference Part SYMAN Description

3	BK1,BK2,BK3	BK143637	14-3637-A	PLTMT, BRKT, Switch MTG
7	C100,C101,C102,C103,C105, C113,C126	47PJ100M3	62-0064	47 pF Cap 100V 5% Ceramic AXL, NPO
2	C104,C128	22NPM25E	60-0322	22 uF Cap 25V -20/+20% Elect. NP
5	C106,C109,C111,C114,C117	10S63E	60-0320	10 uF Cap 63V -20/+100% Alum, Rad
2	C107,C119	.22J50F	56-3104	.22 uF Cap 50V 5% M/Plyes Rad
3	C108,C116,C127	.33J50F	56-3110	.33 uF Cap 50V 5% M/Plyes Rad
14	C110,C118,C202,C203,C204, C205,C208,C209,C210,C211, C212,C213,C214,C215	.1MD3	62-0060	.1 uF Cap 50V 20% Ceramic AXL
2	C112,C115	10PJ100M3	62-0063	10 pF Cap 100V 5% Ceramic AXL, NPO
1	C120	.047J50F	56-3108	.047 uF Cap 50V 5% M/Plyes Rad
1	C121	.015M100D1	62-0059	.015 uF Cap 100V 20% Ceramic AXL
2	C122,C123	22S63E1	60-0325	22 uF Cap 63V -20/+100% Elect.
1	C124	.1J50F	56-3109	.1 uF Cap 50V 5% M/Plyes Rad
1	C125	10K25E1	60-0403	10 uF Cap 25V -10/+10% Elect.
2	C200,C201	1000S35E4	60-0321	1000 uF Cap 35V -20/+100% Elect. Long Lead
2	C206,C207	33S63E1	60-0324	33 uF Cap 63V Alum, Rad
12	CR100,CR101,CR102,CR103, CR104,CR105,CR106,CR107, CR108,CR109,CR110,CR235	1N4148	70-0002	1N4148 Diode Silicon Switching, 75 Volts PIV
23	CR200,CR201,CR202,CR203, CR204,CR205,CR206,CR207, CR208,CR209,CR210,CR211, CR224,CR225,CR226,CR227, CR228,CR229,CR230,CR234, CR237,CR238,CR239	LED702094	70-2094	Red Light Emitting Diode, T1
14	CR212,CR213,CR214,CR215, CR216,CR217,CR218,CR219, CR220,CR221,CR222,CR223, CR232,CR236	LEDY702092	70-2092	Yellow Light Emitting Diode, T1
1	CR231	LEDG702093	70-2093	Green Light Emitting Diode, T1
1	CR233	1N5223	70-0041	1N5223 Diode Zener Glass, 1/2W, 50V, 10%
6	CR240,CR241,CR242,CR243, CR244,CR245	1N4004	70-0009	1N4004 Rect 1A 400V
6	F1A,MOV1,TR1,F2A,F3A,F4A	OMIT	00-0000	This part has been omitted
1	HJ8	HJ323138	32-3138	Header Jumper Receptacle, mini, black
2	HS1,HS2	HS704215	70-4215	Heatsink, PCB Mount, Vert., for TO-220
2	IC1,IC6	NE5532	72-4316	5532 Low Noise Dual Op-Amp
2	IC2,IC8	TL074D	72-4320	TL074 Quad JFet-Input Op-Amp
1	IC3	UPC1252	72-4262	UPC1252HA2, VCA THAT
2	IC4,IC7	UPC1253	72-4261	UPC1253HA2 RMS
1	IC5	LF353	72-4030	LF353 Wide Bandwidth Dual JFET Input Op-Amp
9	IC9,IC10,IC11,IC12,IC13, IC14,IC15,IC16,IC17	LM339D	72-4306	LM339 Quad Comparator
1	IC18	7815-V	70-4123	7815 +15 Volt 1 A Voltage Regulator TO-220 VERT
1	IC19	79M15	70-4131	7915 -15 Volt Voltage Regulator
1	J1	J322115	32-2115	XLR, Female PC Mount, Ins, R/A
1	J2	J322114	32-2114	XLR, Male PC Mount, Ins, R/A
4	J3,J4,J5,J6	J322110	32-2110	Jack, 1/4" Phone, PC Mount, Hor., Cliff S2
1	J7	RC380217	38-0217	16 Pin Ribbon Cable, Flat w/2 ends, 3.00", 0.1" spacing
2	J8,J9	HDR322116	32-2116	3 Pin Hdr, Straight, .23", 0.1" spacing

Bill Of Materials

March 19, 1997

8:51:55

Quan Reference

Part

SYMAN

Description

1	J10	ACR320057	32-0057	AC Power Receptical, IEC, Non filtered
1	J11	HDR322111	32-2111	10 Pin Hdr, 5X2, Straight, .23", 0.1" spacing
2	J200,J201	QT322074	32-2074	Quick-tab, Terminal, .187 x .032, PC Mount
10	L100,L101,L102,L103,L104, L105,L106,L107,L108,L109	EMI1000PF	62-2101	1000 pF Filter, EMI, SUPP, 50V
7	LS1,LS2,LS3,LS4,LS5,LS6, LS7	LS283434	28-3434	Led Standoff, 0.160" Tall, T-1 leads, 1 Pos
1	LS8	LS283430	28-3430	Led Standoff, 0.160" Tall, T-1 leads, 15 Pos
1	LS9	LS283429	28-3429	Led Standoff, 0.160" Tall, T-1 leads, 12 Pos
1	LS10	LS283428	28-3428	Led Standoff, 0.160" Tall, T-1 leads, 4 Pos
1	P7	PA8X2	00-0000	8X2 Pin Pad Pattern, Not a part
1	PCB1	80-6157-A	80-6157-A	dbx 160A MAIN/DISPLAY PCB, RAW
1	Q100	MPS8098	70-1029	MPS8098 NPN, TR SIGNAL
1	Q101	MPS8598	70-1028	MPS8598 PNP, TR SIGNAL
3	Q200,Q201,Q202	2N4402	70-1035	2N4402 PNP, TR SIGNAL
1	QT1	QT322102	32-2102	Lug. #6 Star Ring For 18-22 AWG, Double Crimp
5	R100,R102,R159,R176,R188	49.9K 1% M	52-1620	49.9 KOhm Resistor 1% 1/8 Watt Carbon Film Mini
2	R101,R103	28.0K 1% M	52-1664	28.0 KOhm Resistor 1% 1/8 Watt Metal Film Mini
2	R104,R106	200K 1% M	52-1651	200 KOhm Resistor 1% 1/8 Watt Carbon Film Mini
3	R105,R107,R168	100K 1% M	52-1635	100 KOhm Resistor 1% 1/8 Watt Carbon Film Mini
2	R108,R173	14.3K 1% M	52-1663	14.3 KOhm Resistor 1% 1/8 Watt Metal Film Mini
1	R109	5.1K M	50-0409	5.1 KOhm Resistor 5% 1/8 Watt Carbon Film Mini
2	R110,R112	49.9 1% M	52-1654	49.9 Ohm Resistor 1% 1/8 Watt Metal Film Mini
1	R111	150K M	50-0402	150 KOhm Resistor 5% 1/8 Watt Carbon Film Mini
3	R113,R120,R161	475 1% M	52-1600	475 Ohm Resistor 1% 1/8 Watt Metal Film Mini
1	R114	16.9K 1% M	52-1619	16.9 KOhm Resistor 1% 1/8 Watt Carbon Film Mini
1	R115	604 1% M	52-1655	604 Ohm Resistor 1% 1/8 Watt Metal Film Mini
1	R116	66.5K 1% M	52-1667	66.5 KOhm Resistor 1% 1/8 Watt Metal Film Mini
3	R117,R186,R187	200 1% M	52-1618	200 Ohm Resistor 1% 1/8 Watt Carbon Film Mini
3	R118,R138,R160	20 M	50-0400	20 Ohm Resistor 5% 1/8 Watt Carbon Film Mini
2	R119,R157	22M D	50-2442	22 MOhm Resistor 5% 1/4 Watt Carbon Film DBX
2	R121,R162	560K M	50-0485	560 KOhm Resistor 5% 1/8 Watt Carbon Film Mini
3	R122,R163,R182	2.2M M	50-0408	2.2 MOhm Resistor 5% 1/8 Watt Carbon Film Mini
1	R123	4.12K 1% M	52-1661	4.12 KOhm Resistor 1% 1/8 Watt Metal Film Mini
1	R124	102K 1% M	52-1671	102 KOhm Resistor 1% 1/8 Watt Metal Film Mini
3	R125,R185,R189	53.6K 1% M	52-1665	53.6 KOhm Resistor 1% 1/8 Watt Metal Film Mini
1	R126	665K 1% M	52-1673	665 KOhm Resistor 1% 1/8 Watt Metal Film Mini
1	R127	17.4K 1% M	52-1629	17.4 KOhm Resistor 1% 1/8 Watt Metal Film Mini
1	R128	330K M	50-0412	330 KOhm Resistor 5% 1/8 Watt Carbon Film Mini
2	R129,R158	24.9K 1% M	52-1631	24.9 KOhm Resistor 1% 1/8 Watt Carbon Film Mini
12	R130,R131,R134,R135,R211, R212,R213,R214,R215,R216, R218,R219	1.00K 1% M	52-1623	1.00 KOhm Resistor 1% 1/8 Watt Carbon Film Mini
2	R132,R133	2.80K 1% M	52-1659	2.80 KOhm Resistor 1% 1/8 Watt Metal Film Mini
2	R136,R137	33 M	50-0411	33 Ohm Resistor 5% 1/8 Watt Carbon Film Mini
2	R139,R154	13.3K .1%	52-1805	13.3 KOhm Resistor .1% 1/8 Watt Metal Film Mini
2	R140,R155	10.2K .1%	52-1804	10.2 KOhm Resistor .1% 1/8 Watt Metal Film Mini
2	R141,R180	2.94K 1% M	52-1670	2.94 KOhm Resistor 1% 1/8 Watt Metal Film Mini
2	R142,R149	4.64K .1%	52-1803	4.64 KOhm Resistor .1% 1/8 Watt Metal Film Mini
2	R143,R148	4.53K .1%	52-1801	4.53 KOhm Resistor .1% 1/8 Watt Metal Film Mini
2	R144,R190	1M M	50-0403	1 MOhm Resistor 5% 1/8 Watt Carbon Film Mini
2	R145,R151	15.4 1% M	52-1653	15.4 Ohm Resistor 1% 1/8 Watt Metal Film Mini

DOD Software

DBX 160A COMPRESSOR/LIMITER 80-6157

Revised: March 19, 1997

056157AA.000

Revision: AA

Bill Of Materials

March 19, 1997

8:51:55

Quan Reference

Part

SYMAN

Description

Page

056157aa

2	R146,R222	4.02K 1% M	52-1660	4.02	KOhm Resistor	1%	1/8	Watt Metal Film Mini
2	R147,R153	3.6M M	50-0413	3.6	MOhm Resistor	5%	1/8	Watt Carbon Film Mini
1	R150	3.01K .1%	52-1800	3.01	KOhm Resistor	.1%	1/8	Watt Metal Film Mini
2	R152,R179	4.32K 1% M	52-1646	4.32	KOhm Resistor	1%	1/8	Watt Carbon Film Mini
2	R156,R166	35.7K 1% M	52-1606	35.7	KOhm Resistor	1%	1/8	Watt Metal Film Mini
1	R164	8.2M M	50-0415	8.2	MOhm Resistor	5%	1/8	Watt Carbon Film Mini
1	R165	1.24K 1% M	52-1657	1.24	KOhm Resistor	1%	1/8	Watt Metal Film Mini
1	R167	453K 1% M	52-1609	453	KOhm Resistor	1%	1/8	Watt Metal Film Mini
1	R169	4.7M M	50-0414	4.7	MOhm Resistor	5%	1/8	Watt Carbon Film Mini
1	R170	191K 1% M	52-1672	191	KOhm Resistor	1%	1/8	Watt Metal Film Mini
1	R171	30.1K 1% M	52-1632	30.1	KOhm Resistor	1%	1/8	Watt Metal Film Mini
9	R172,R177,R192,R193,R201, R203,R205,R206,R223	10.0K 1% M	52-1627	10.0	KOhm Resistor	1%	1/8	Watt Carbon Film Mini
1	R174	750 1% M	52-1656	750	Ohm Resistor	1%	1/8	Watt Metal Film Mini
1	R175	4.53K 1% M	52-1604	4.53	KOhm Resistor	1%	1/8	Watt Carbon Film Mini
1	R178	8.25K 1% M	52-1662	8.25	KOhm Resistor	1%	1/8	Watt Metal Film Mini
1	R181	1.54K 1% M	52-1658	1.54	KOhm Resistor	1%	1/8	Watt Metal Film Mini
1	R183	75.0K 1% M	52-1668	75.0	KOhm Resistor	1%	1/8	Watt Metal Film Mini
1	R184	523K 1% M	52-1610	523	KOhm Resistor	1%	1/8	Watt Carbon Film Mini
5	R200,R226,R227,R228,R229	3.0K M	50-0405	3.0	KOhm Resistor	5%	1/8	Watt Carbon Film Mini
3	R202,R217,R225	560 M	50-0401	560	Ohm Resistor	5%	1/8	Watt Carbon Film Mini
1	R204	60.4K 1% M	52-1666	60.4	KOhm Resistor	1%	1/8	Watt Metal Film Mini
2	R207,R208	4.99K 1% M	52-1616	4.99	KOhm Resistor	1%	1/8	Watt Carbon Film Mini
4	R209,R210,R220,R221	2.00K 1% M	52-1624	2.00	KOhm Resistor	1%	1/8	Watt Carbon Film Mini
1	R224	80.6K 1% M	52-1669	80.6	KOhm Resistor	1%	1/8	Watt Metal Film Mini
2	S100,S101	SW440050	44-0050		Mini In/Out DPDT Switch (6 Pin)			E-Switch
1	S102	SW440052	44-0052		Mini In/Out 6PDT Switch (18 Pin)			E-Switch
1	S103	SW440051	44-0051		Mini In/Out 4PDT Switch (12 Pin)			E-Switch
1	S104	SW440131	44-0131		4PDT Slide Switch, 2MM Actuator,			RA
4	SC1,SC2,SC3,SC4	SC340125	34-0125		Switch Cap, Black			
3	SR1,SR2,SR3	SR283342	28-3342		Nut, HEX, CNT, STL, Z2, 7x.75mm			
6	TP100,TP101,TP102,TP103, TP104,TP200	TP360095	36-0095		2 Pin Test Point For DBX			
1	TP201	10 M	50-0416	10	Ohm Resistor	5%	1/8	Watt Carbon Film Mini
6	VR100,VR102,VR103,VR106, VR107,VR109	50K420222	42-0222	50	K Trim Pot, Vertical			Mount, 3/4 turn
1	VR101	50K420277	42-0277	50	K Trim Pot	Vertical		Mount, 15mm, 12mm Shaft, Carbon
3	VR104,VR105,VR108	20K402086	40-2086	20	K "B" 16mm, Rot Pot,			25mm D Shaft horiz mt.
4	WA3,WA4,WA5,WA6	WA283345	28-3345		Washer, Ground			
1	WR1	W361140	36-1140-A		Wire, 2 End, 4.00", Grn w/Yel stripe			18AWG
3	Y1,Y2,R191	0 M	50-0410	0	Ohm Resistor	5%	1/8	Watt Carbon Film Mini